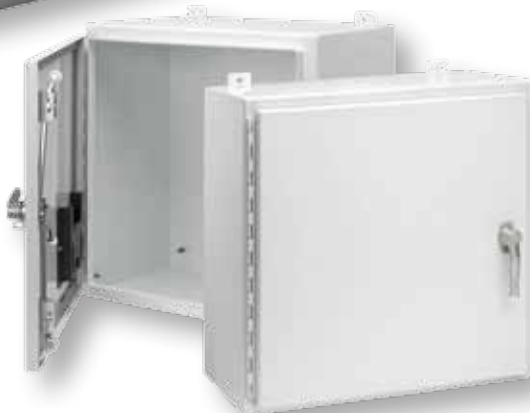


CHAPTER Stainless Steel

2



Featured Products in this Chapter



- ▶ PHARMAPRO®, Type 4X P. 134
- ▶ Continuous Hinge with 3-Point Latch, Type 4X P. 160
- ▶ Painted White with 3-Point Latch, Type 4X P. 174
- ▶ WATERSHED® Free-Stand, Type 4X P. 210



CHAPTER CONTENTS

Junction Boxes

Hinge-Cover

Continuous-Hinge with Clamps, Type 4X..... 128
 Continuous Hinge with Clamps, EMC, Type 4X . 130

Clamp-Cover

Clamp Cover, Type 4X132

Flush-Mount Enclosures

Flush-Mount Enclosures

PHARMAPRO®, Type 4X 134
 Mounting System137

Instrumentation Enclosures and Accessories

INLINE® Instrumentation Enclosures

INLINE®, Type 4X..... 138

INLINE® Landscape Instrumentation Enclosures and Accessories

INLINE® Landscape, Type 4X 142
 Optional Components Selection Guide..... 143
 INLINE® Landscape Panels 143

Consolets

Consolets

Consolets, Type 12 144

Pushbutton Enclosures

Pushbutton Enclosures

Extra-Deep 30.5-mm Pushbutton Enclosures, Type 4X 146
 Extra-Deep 22.5-mm Pushbutton Enclosures, Type 4X 148
 30.5-mm and 22.5-mm Pushbutton Enclosures, Type 4X 150

Wall-Mount Enclosures

CONCEPT® Wall-Mount Enclosures

CONCEPT®, Type 4X..... 152
 CONCEPT® with Additional Quarter-Turn Latches, Type 4X 156
 CONCEPT® EMC, Type 4X 158

Wall-Mount Enclosures and Accessories

Continuous Hinge with 3-Point Latch, Type 4X 160
 Continuous Hinge with Clamps, Type 4X..... 162
 Continuous Hinge with Clamps, EMC, Type 4X 166
 Continuous Hinge Two-Door with 3-Point Latch, Type 4X 168
 Continuous Hinge Two-Door with 3-Point Latch, Type 12.....170

Replacement Door with 3-Point Latch, Type 4X 172
 Painted White with 3-Point Latch, Type 4X 174

Hoffman WATERSHED® Wall-Mount Enclosures and Accessories

Hoffman WATERSHED® Wall-Mount Enclosures and Accessories

Hoffman WATERSHED®, Type 4X.....176
 Mounting Bracket Kit178
 Stand-Off Kit.....178
 Padlocking Handle Kit.....178
 Padlocking Latch Kit.....178

Consoles and Accessories

Consoles and Accessories

CONCEPT® Console, Type 4X..... 180
 Caster Kit..... 181
 Side Panels 181

Floor-Mount and Free-Stand Enclosures

Floor-Mount and Free-Stand Enclosures

Two-Door with 3-Point Latches, Type 4X..... 182
 Two-Door with Floor-Stands, Type 4X..... 184
 General Purpose Two-Door with Quarter-Turn Latches and Floor Stands, Type 4X..... 186
 General Purpose Single-Door Free-Stand with Quarter-Turn Latches, Type 4X..... 188
 Two-Door with 3-Point Latches and Floor-Stands, Type 12..... 190
 Free-Stand, Type 4X..... 192
 Free-Stand Single and Dual Access with 3-Point Latches, Type 4X 194
 Free-Stand Accessories200
 Free-Stand, Type 12208

Hoffman WATERSHED® Free-Stand Enclosures and Accessories

Hoffman WATERSHED® Free-Stand

WATERSHED® Free-Stand, Type 4X 210
 Sanitary Leg Kits211
 Floor Stand Kit, Stainless Steel212

PROLINE® Stainless Steel HMI Enclosures

PROLINE® HMI Enclosures

PROLINE® Stainless Steel HMI Enclosures214
 Sloped Front216
 Covers for Upper Front of PROLINE® Sloped Fronts216
 Doors for Upper Front of PROLINE® Sloped Fronts217
 Covers for Rear of PROLINE® Sloped Fronts.....217

Stainless Steel Pedestal.....218
 Doors for Rear of PROLINE® Sloped Fronts218
 PROLINE® Solid Rear Door Accessories218
 Stainless Steel Extension.....219
 Stainless Steel PROLINE®-PC Package, Type 12..... 220
 Stainless Steel PROLINE®-SY Package, Type 12.....223

Hinge-Cover

Continuous-Hinge with Clamps, Type 4X



Industry Standards

UL 50, 50E Listed; Type 3R, 4, 4X, 12; File No. E27567
 cUL Listed per CSA C22.2 No 94; Type 3R, 4, 4X, 12; File No. E27567
 UL 508A Listed; Type 3R, 4, 4X, 12; File No. E61997
 cUL Listed per CSA C22.2 No 94; Type 3R, 4, 4X, 12; File No. E61997

NEMA/EEMAC Type 3R, 4, 4X, 12, 13
 CSA File No. 42184: Type 4, 4X, 12
 IEC 60529, IP66
 Meets NEMA Type 3RX requirements

Application

Used in either indoor or outdoor applications, these enclosures combine a rugged continuous hinge, seamless foam-in-place gasket and stainless steel screw-down clamps for a reliable seal that protects components from corrosive environments.

Specifications

- 16 and 14 gauge Type 304 or 316L stainless steel
- Seams continuously welded and ground smooth
- Seamless foam-in-place gasket
- Stainless steel screws and clamps
- Pull stainless steel continuous hinge pin to remove door
- Weldnuts provided for mounting optional panels and terminal block kits
- Bonding provision on door and body

Finish

Cover and sides of body have smooth #4 brushed finish.

Accessories

See also Accessories.
 Fast-Operating Clamp-Cover Junction Box Clamp
 Lock Kit for Clamp Cover Junction Boxes
 Panels for Junction Boxes
 Terminal Block Kit Assembly for Junction Boxes Overview

Modification and Customization

Hoffman excels at modifying and customizing products to your specifications. Contact your local Hoffman sales office or distributor for complete information.

Bulletin: A515

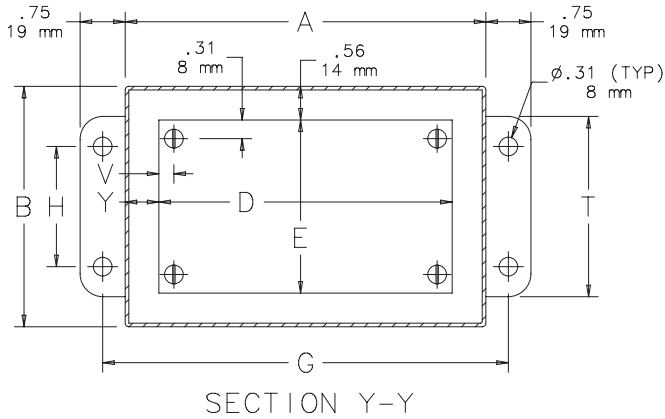
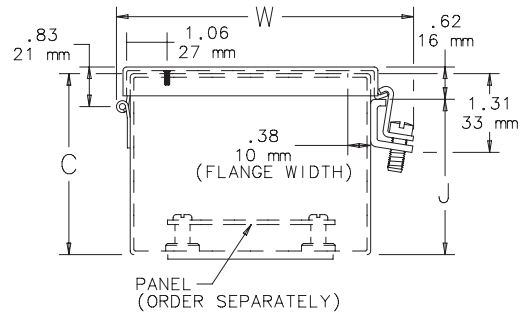
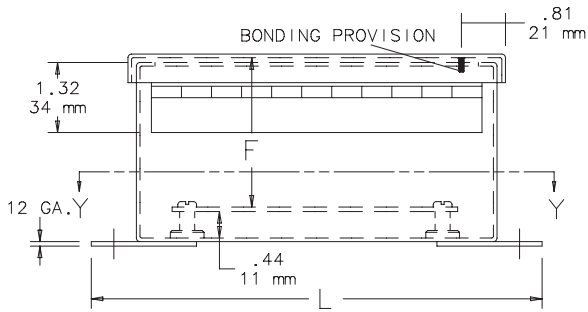
Standard Product

Catalog Number	AxBxC in./mm	Stainless Steel		Body Gauge	Cover Gauge	Steel Panel	Conductive Panel	Panel Size		Mounting		Overall						
		Steel Type	UL Listed					D x E in./mm	G x H in./mm	L x W in./mm	F in./mm	J in./mm	N in./mm	T in./mm	V in./mm	Y in./mm		
A6044CHNFSS	6.00 x 4.00 x 4.00	304	508A	16	16	A6P4	A6P4G	4.88 x 2.88	6.75 x 2.00	7.50 x 4.94	3.50	3.62	2.38	3.00	0.31	0.56		
	152 x 102 x 102							124 x 73	171 x 51	191 x 125	89	92	60	76	8	14		
A606CHNFSS	6.00 x 6.00 x 4.00	304	50, 50E	16	16	A6P6	A6P6G	4.88 x 4.88	6.75 x 4.00	7.50 x 6.94	3.50	3.62	2.38	5.00	0.31	0.56		
	152 x 152 x 102							124 x 124	171 x 102	191 x 176	89	92	60	127	8	14		
A8064CHNFSS	8.00 x 6.00 x 4.00	304	50, 50E	14	16	A8P6	A8P6G	6.75 x 4.88	8.75 x 4.00	9.50 x 6.94	3.50	3.62	1.38	5.00	0.25	0.62		
	203 x 152 x 102							171 x 124	222 x 102	241 x 176	89	92	35	127	6	16		
A1008CHNFSS	10.00 x 8.00 x 4.00	304	50, 50E	14	16	A10P8	A10P8G	8.75 x 6.88	10.75 x 6.00	11.50 x 8.94	3.50	3.62	1.38	7.00	0.25	0.62		
	254 x 203 x 102							222 x 175	273 x 152	292 x 227	89	92	35	178	6	16		
A12106CHNFSS	12.00 x 10.00 x 6.00	304	50, 50E	14	16	A12P10	A12P10G	10.75 x 8.88	12.75 x 8.00	13.50 x 10.94	5.50	5.62	2.38	9.00	0.25	0.62		
	305 x 254 x 152							273 x 225	324 x 203	343 x 278	140	143	60	229	6	16		
A1212CHNFSS	12.00 x 12.00 x 6.00	304	50, 50E	14	16	A12P12	A12P12G	10.75 x 10.88	12.75 x 10.00	13.50 x 12.94	5.50	5.62	2.38	11.00	0.25	0.62		
	305 x 305 x 152							273 x 276	324 x 254	343 x 329	140	143	60	279	6	16		
A1412CHNFSS	14.00 x 12.00 x 6.00	304	50, 50E	14	16	A14P12	A14P12G	12.75 x 10.88	14.75 x 10.00	15.50 x 12.94	5.50	5.62	2.38	11.00	0.25	0.62		
	356 x 305 x 152							324 x 276	375 x 254	394 x 329	140	143	60	279	6	16		
A1614CHNFSS	16.00 x 14.00 x 6.00	304	508A	14	16	A16P14	A16P14G	14.75 x 12.88	16.75 x 12.00	17.50 x 14.94	5.50	5.62	2.38	13.00	0.25	0.62		
	406 x 356 x 152							375 x 327	425 x 305	445 x 379	140	143	60	330	6	16		
A6044CHNFSS6	6.00 x 4.00 x 4.00	316L	50, 50E	16	16	A6P4	A6P4G	4.88 x 2.88	6.75 x 2.00	7.50 x 4.94	3.50	3.62	2.38	3.00	0.31	0.56		
	152 x 102 x 102							124 x 73	171 x 51	191 x 125	89	92	60	76	8	14		
A606CHNFSS6	6.00 x 6.00 x 4.00	316L	50, 50E	16	16	A6P6	A6P6G	4.88 x 4.88	6.75 x 4.00	7.50 x 6.94	3.50	3.62	2.38	5.00	0.31	0.56		
	152 x 152 x 102							124 x 124	171 x 102	191 x 176	89	92	60	127	8	14		
A8064CHNFSS6	8.00 x 6.00 x 4.00	316L	50, 50E	14	16	A8P6	A8P6G	6.75 x 4.88	8.75 x 4.00	9.50 x 6.94	3.50	3.62	1.38	5.00	0.25	0.62		
	203 x 152 x 102							171 x 124	222 x 102	241 x 176	89	92	35	127	6	16		
A1008CHNFSS6	10.00 x 8.00 x 4.00	316L	50, 50E	14	16	A10P8	A10P8G	8.75 x 6.88	10.75 x 6.00	11.50 x 8.94	3.50	3.62	1.38	7.00	0.25	0.62		
	254 x 203 x 102							222 x 175	273 x 152	292 x 227	89	92	35	178	6	16		
A12106CHNFSS6	12.00 x 10.00 x 6.00	316L	50, 50E	14	16	A12P10	A12P10G	10.75 x 8.88	12.75 x 8.00	13.50 x 10.94	5.50	5.62	2.38	9.00	0.25	0.62		
	305 x 254 x 152							273 x 225	324 x 203	343 x 278	140	143	60	229	6	16		
A1212CHNFSS6	12.00 x 12.00 x 6.00	316L	50, 50E	14	16	A12P12	A12P12G	10.75 x 10.88	12.75 x 10.00	13.50 x 12.94	5.50	5.62	2.38	11.00	0.25	0.62		
	305 x 305 x 152							273 x 276	324 x 254	343 x 329	140	143	60	279	6	16		
A1412CHNFSS6	14.00 x 12.00 x 6.00	316L	50, 50E	14	16	A14P12	A14P12G	12.75 x 10.88	14.75 x 10.00	15.50 x 12.94	5.50	5.62	2.38	11.00	0.25	0.62		
	356 x 305 x 152							324 x 276	375 x 254	394 x 329	140	143	60	279	6	16		
A1614CHNFSS6	16.00 x 14.00 x 6.00	316L	50, 50E	14	16	A16P14	A16P14G	14.75 x 12.88	16.75 x 12.00	17.50 x 14.94	5.50	5.62	2.38	13.00	0.25	0.62		
	406 x 356 x 152							375 x 327	425 x 305	445 x 379	140	143	60	330	6	16		

A6044CHNFSS and A6044CHNFSS6 UL 508A Listed. The remaining catalog numbers are UL 50 Listed.

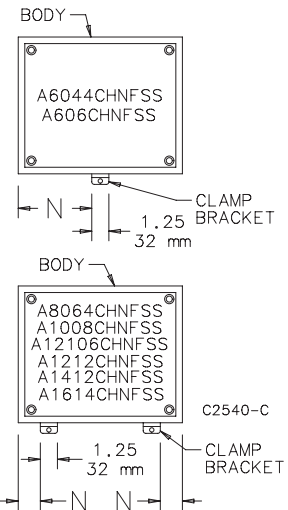
Purchase panels separately. Optional stainless steel, composite and aluminum panels are available for most sizes.

Hinge-Cover



- NOTE:
 1. Optional panels are 14 gauge steel, conductive steel or stainless steel
 2. Panel screws are #10-32 pan head

CLAMP BRACKET LOCATIONS



Hinge-Cover

Continuous Hinge with Clamps, EMC, Type 4X



Application

Use this enclosure in corrosive indoor or outdoor applications to contain stray electromagnetic interference (EMI) signals produced by internal components and to shield those components from external EMI/RFI interference.

Specifications

- 16 and 14 gauge Type 304 stainless steel
- Seams continuously welded and ground smooth
- Seamless foam-in-place gasket adjacent to monel mesh assures water-tight, dust-tight and EMI seal
- Stainless steel screws and clamps
- Removable door with continuous hinge
- Weldnuts provided for mounting optional panels and terminal kits
- Bonding provision on door

Finish

Cover and sides of body have a smooth #4 brushed finish.

Accessories

See also *Accessories*.

Fast-Operating Clamp-Cover Junction Box Clamp

Panels for Junction Boxes

Terminal Block Kit Assembly for Junction Boxes Overview

Steel and Stainless Steel Window Kits

Bulletin: A51SE

Industry Standards

UL 50, 50E Listed; Type 4, 4X, 12; File No. E27567
 cUL Listed per CSA C22.2 No 94; Type 4, 4X, 12; File No. E27567
 UL 508A Listed; Type 4, 4X, 12; File No. E61997
 cUL Listed per CSA C22.2 No 94; Type 4, 4X, 12; File No. E61997

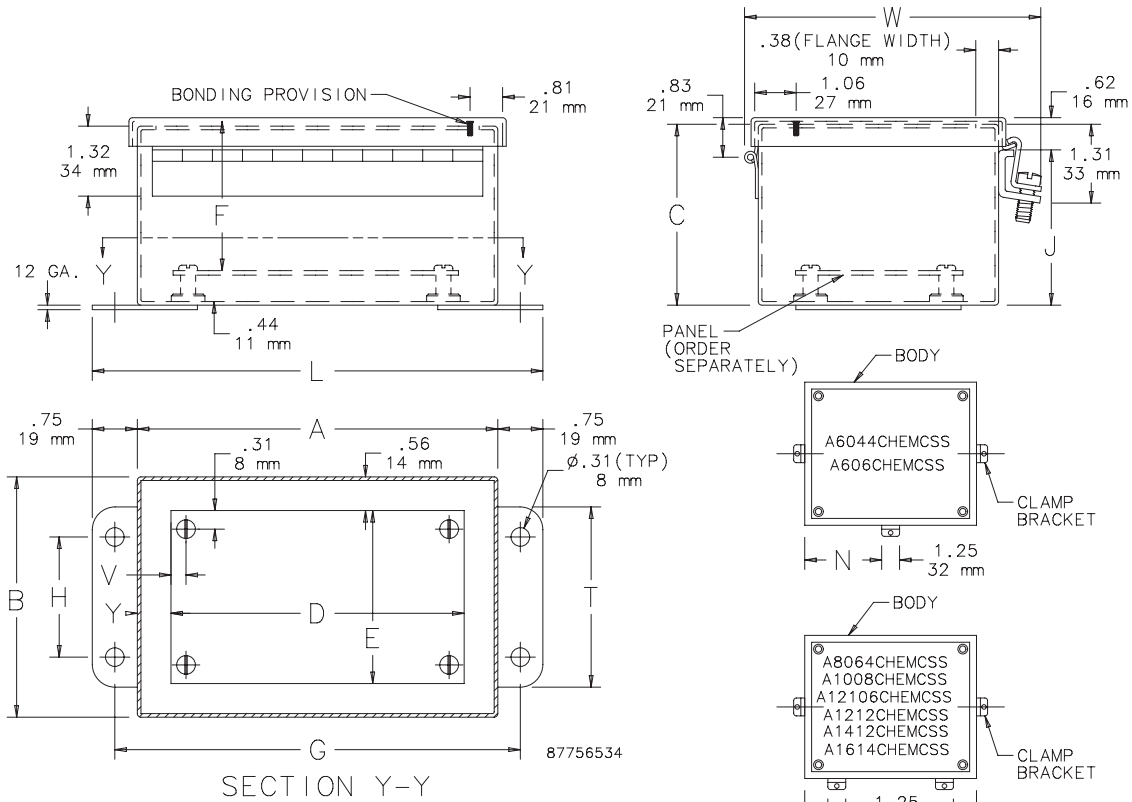
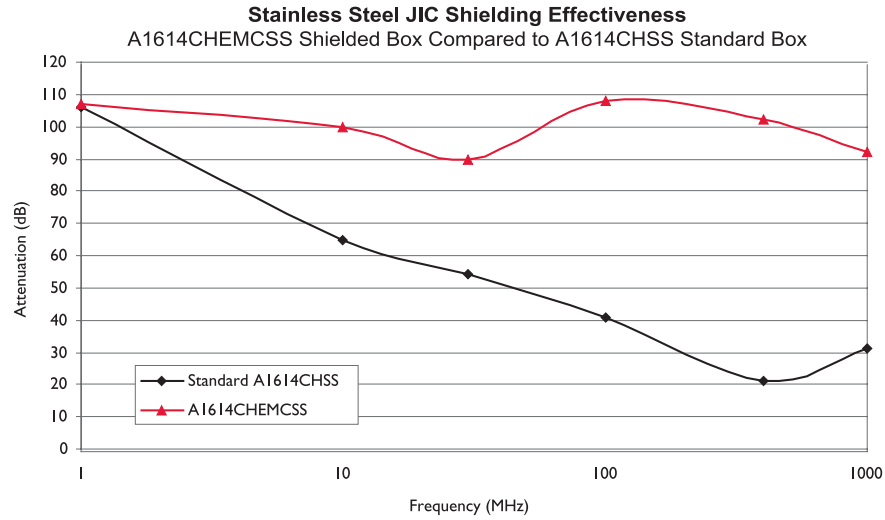
NEMA/EEMAC Type 4, 4X, 12, 13
 CSA File No. 42184: Type 4, 4X, 12
 IEC 60529, IP66

Standard Product

Catalog Number	AxBxC in./mm	UL Listed	Body Gauge	Cover Gauge	Stainless Steel Panel	Conductive Steel Panel	Panel Size D x E in./mm	Mounting G x H in./mm	Overall L x W in./mm	F in./mm	J in./mm	N in./mm	T in./mm	V in./mm	Y in./mm
A6044CHEMCSS	6.00 x 4.00 x 4.00	508A	16	16	A6P4SS	A6P4G	4.88 x 2.88	6.75 x 2.00	7.50 x 4.94	3.50	3.62	2.38	3.00	0.31	0.56
	152 x 102 x 102						124 x 73	171 x 51	191 x 125	89	92	60	76	8	14
A606CHEMCSS	6.00 x 6.00 x 4.00	50, 50E	16	16	A6P6SS	A6P6G	4.88 x 4.88	6.75 x 4.00	7.50 x 6.94	3.50	3.62	2.38	5.00	0.31	0.56
	152 x 152 x 102						124 x 124	171 x 102	191 x 176	89	92	60	127	8	14
A8064CHEMCSS	8.00 x 6.00 x 4.00	50, 50E	14	16	A8P6SS	A8P6G	6.75 x 4.88	8.75 x 4.00	9.50 x 6.94	3.50	3.62	1.38	5.00	0.25	0.62
	203 x 152 x 102						171 x 124	222 x 102	241 x 176	89	92	35	127	6	16
A1008CHEMCSS	10.00 x 8.00 x 4.00	50, 50E	14	16	A10P8SS	A10P8G	8.75 x 6.88	10.75 x 6.00	11.50 x 8.94	3.50	3.62	1.38	7.00	0.25	0.62
	254 x 203 x 102						222 x 175	273 x 152	292 x 227	89	92	35	178	6	16
A12106CHEMCSS	12.00 x 10.00 x 6.00	50, 50E	14	16	A12P10SS	A12P10G	10.75 x 8.88	12.75 x 8.00	13.50 x 10.94	5.50	5.62	2.38	9.00	0.25	0.62
	305 x 254 x 152						273 x 225	324 x 203	343 x 278	140	143	60	229	6	16
A1212CHEMCSS	12.00 x 12.00 x 6.00	50, 50E	14	16	A12P12SS	A12P12G	10.75 x 10.88	12.75 x 10.00	13.50 x 12.94	5.50	5.62	2.38	11.00	0.25	0.62
	305 x 305 x 152						273 x 276	324 x 254	343 x 329	140	143	60	279	6	16
A1412CHEMCSS	14.00 x 12.00 x 6.00	50, 50E	14	16	A14P12SS	A14P12G	12.75 x 10.88	14.75 x 10.00	15.50 x 12.94	5.50	5.62	2.38	11.00	0.25	0.62
	356 x 305 x 152						324 x 276	375 x 254	394 x 329	140	143	60	279	6	16
A1614CHEMCSS	16.00 x 14.00 x 6.00	50, 50E	14	16	A16P14SS	A16P14G	14.75 x 12.88	16.75 x 12.00	17.50 x 14.94	5.50	5.62	2.38	13.00	0.25	0.62
	406 x 356 x 152						375 x 327	425 x 305	445 x 379	140	143	60	330	6	16

Purchase panels separately.

Hinge-Cover



NOTE:
 1. Optional panels are 14 gauge steel, conductive steel or stainless steel.
 2. Panel screws are No. 10-32 pan head.

Clamp Bracket Locations

Clamp-Cover

Clamp Cover, Type 4X



Application

Used in either corrosive or outdoor applications, Clamp Cover Enclosures combine a seamless foam-in-place gasket with stainless steel screw-down clamps for a consistent and reliable seal, yet the cover is easily removed for access and modifications.

Specifications

- 16 and 14 gauge Type 304 or 316L stainless steel
- Seams continuously welded and ground smooth
- Seamless foam-in-place gasket
- Stainless steel screws and clamps
- Weldnuts provided for mounting optional panels and terminal block kits in size 6.00 x 4.00 in. (152 x 102 mm) and larger
- Bonding provision on door and body

Finish

Cover and sides of body have smooth #4 brushed finish.

Accessories

See also *Accessories*.
 Fast-Operating Clamp-Cover Junction Box Clamp Panels for Junction Boxes
 Terminal Block Kit Assembly for Junction Boxes Overview
 Steel and Stainless Steel Window Kits

Modification and Customization

Hoffman excels at modifying and customizing products to your specifications. Contact your local Hoffman sales office or distributor for complete information.

Bulletin: A51S

Industry Standards

UL 50 Listed; Type 3R, 4, 4X, 12; File No. E27525
 cUL Listed per CSA C22.2 No 94; Type 3R, 4, 4X, 12; File No. E27525
 UL 508A, 508 Listed; Type 3R, 4, 4X, 12; File No. E61997
 cUL Listed per CSA C22.2 No 94; Type 3R, 4, 4X, 12; File No. E61997

NEMA/EEMAC Type 3R, 4, 4X, 12, 13
 CSA File No. 42184: Type 4, 4X, 12
 IEC 60529, IP66
 Meets Type 3RX requirements

Standard Product

Catalog Number	AxBxC in./mm	UL Listed	Body Gauge	Cover Gauge	Steel Panel	Conductive Steel Panel	Panel Size D x E in./mm	Mounting G x H in./mm	Overall L x W in./mm	F in./mm	J in./mm	M in./mm	N in./mm	T in./mm	V in./mm	Y in./mm
A404NFSS	4.00 x 4.00 x 3.00	508A	16	16	No Panel	No Panel	No Panel	4.75 x 2.00	5.50 x 5.38	—	2.56	1.38	1.38	3.00	—	—
	102 x 102 x 76							No Panel	121 x 51	140 x 137	—	65	35	35	76	—
A404NFSS6	4.00 x 4.00 x 3.00	508A	16	16	No Panel	No Panel	No Panel	4.75 x 2.00	5.50 x 5.38	—	2.56	1.38	1.38	3.00	—	—
	102 x 102 x 76							No Panel	121 x 51	140 x 137	—	65	35	35	76	—
A6044NFSS	6.00 x 4.00 x 4.00	508A	16	16	A6P4	A6P4G	4.88 x 2.88	6.75 x 2.00	7.50 x 5.38	3.50	3.56	1.38	1.38	3.00	0.31	0.56
	152 x 102 x 102							124 x 73	171 x 51	191 x 137	89	90	35	35	76	8
A6044NFSS6	6.00 x 4.00 x 4.00	508A	16	16	A6P4	A6P4G	4.88 x 2.88	6.75 x 2.00	7.50 x 5.38	3.50	3.56	1.38	1.38	3.00	0.31	0.56
	152 x 102 x 102							124 x 73	171 x 51	191 x 137	89	90	35	35	76	8
A8064NFSS	8.00 x 6.00 x 4.00	50, 50E	14	16	A8P6	A8P6G	6.75 x 4.88	8.75 x 4.00	9.50 x 7.38	3.50	3.56	—	1.38	5.00	0.25	0.62
	203 x 152 x 102							171 x 124	222 x 102	241 x 187	89	90	—	35	127	6
A8064NFSS6	8.00 x 6.00 x 4.00	50, 50E	14	16	A8P6	A8P6G	6.75 x 4.88	8.75 x 4.00	9.50 x 7.38	3.50	3.56	—	1.38	5.00	0.25	0.62
	203 x 152 x 102							171 x 124	222 x 102	241 x 187	89	90	—	35	127	6
A606NFSS	6.00 x 6.00 x 4.00	50, 50E	16	16	A6P6	A6P6G	4.88 x 4.88	6.75 x 4.00	7.50 x 7.38	3.50	3.56	2.38	1.38	5.00	0.31	0.56
	152 x 152 x 102							124 x 124	171 x 102	191 x 187	89	90	60	35	127	8
A606NFSS6	6.00 x 6.00 x 4.00	50, 50E	16	16	A6P6	A6P6G	4.88 x 4.88	6.75 x 4.00	7.50 x 7.38	3.50	3.56	2.38	1.38	5.00	0.31	0.56
	152 x 152 x 102							124 x 124	171 x 102	191 x 187	89	90	60	35	127	8
A1008NFSS	10.00 x 8.00 x 4.00	50, 50E	14	16	A10P8	A10P8G	8.75 x 6.88	10.75 x 6.00	11.50 x 9.38	3.50	3.56	—	1.38	7.00	0.25	0.62
	254 x 203 x 102							222 x 175	273 x 152	292 x 238	89	90	—	35	178	6
A1008NFSS6	10.00 x 8.00 x 4.00	50, 50E	14	16	A10P8	A10P8G	8.75 x 6.88	10.75 x 6.00	11.50 x 9.38	3.50	3.56	—	1.38	7.00	0.25	0.62
	254 x 203 x 102							222 x 175	273 x 152	292 x 238	89	90	—	35	178	6
A12106NFSS	12.00 x 10.00 x 6.00	50, 50E	14	16	A12P10	A12P10G	10.75 x 8.88	12.75 x 8.00	13.50 x 11.38	5.50	5.56	—	2.38	9.00	0.25	0.62
	305 x 254 x 152							273 x 225	324 x 203	343 x 289	140	141	—	60	229	6
A12106NFSS6	12.00 x 10.00 x 6.00	50, 50E	14	16	A12P10	A12P10G	10.75 x 8.88	12.75 x 8.00	13.50 x 11.38	5.50	5.56	—	2.38	9.00	0.25	0.62
	305 x 254 x 152							273 x 225	324 x 203	343 x 289	140	141	—	60	229	6
A1412NFSS	14.00 x 12.00 x 6.00	50, 50E	14	16	A14P12	A14P12G	12.75 x 10.88	14.75 x 10.00	15.50 x 13.38	5.50	5.56	—	2.38	11.00	0.25	0.62
	356 x 305 x 152							324 x 276	375 x 254	394 x 340	140	141	—	60	279	6
A1412NFSS6	14.00 x 12.00 x 6.00	50, 50E	14	16	A14P12	A14P12G	12.75 x 10.88	14.75 x 10.00	15.50 x 13.38	5.50	5.56	—	2.38	11.00	0.25	0.62
	356 x 305 x 152							324 x 276	375 x 254	394 x 340	140	141	—	60	279	6
A1614NFSS	16.00 x 14.00 x 6.00	50, 50E	14	16	A16P14	A16P14G	14.75 x 12.88	16.75 x 12.00	17.50 x 15.38	5.50	5.56	—	2.38	13.00	0.25	0.62
	406 x 356 x 152							375 x 327	425 x 305	445 x 391	140	141	—	60	330	6
A1614NFSS6	16.00 x 14.00 x 6.00	50, 50E	14	16	A16P14	A16P14G	14.75 x 12.88	16.75 x 12.00	17.50 x 15.38	5.50	5.56	—	2.38	13.00	0.25	0.62
	406 x 356 x 152							375 x 327	425 x 305	445 x 391	140	141	—	60	330	6

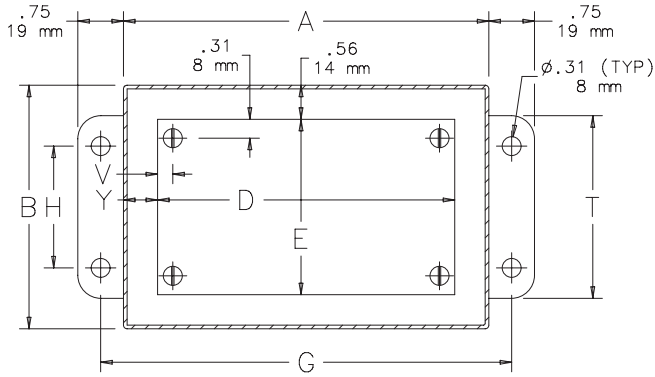
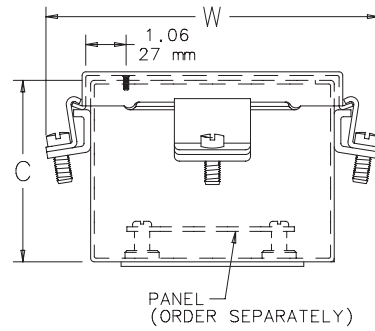
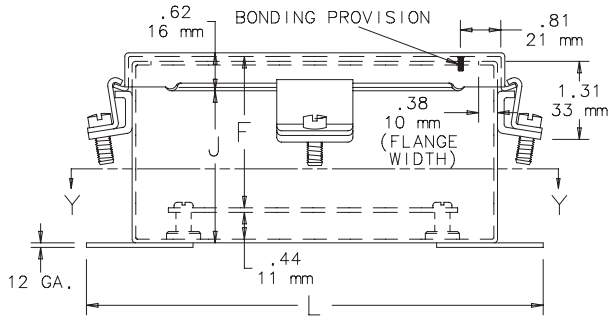
A404NFSS, A404NFSS6, A6044NFSS and A6044NFSS6 are UL 508A Listed.

The remaining catalog numbers are UL 50 Listed.

Catalog numbers ending in "6" are Type 316L stainless steel.

Purchase panels separately. Optional stainless steel, composite and aluminum panels are also available for most sizes.

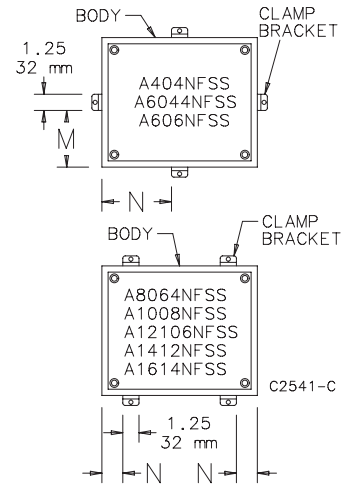
Clamp-Cover



SECTION Y-Y

NOTE:
1. Optional stainless steel, composite and aluminum panels are available for most sizes

CLAMP BRACKET LOCATIONS



Flush-Mount Enclosures

PHARMAPRO[®], Type 4X



Industry Standards

UL 508A Listed; Type 4, 4X, 12, 13; File No. E61997
 cUL Listed per CSA C22.2 No 94; Type 4, 4X, 12, 13; File No. E61997

NEMA/EEMAC Type 4, 4X, 12, 13
 IEC 60529, IP66

Application

PHARMAPRO[®] Enclosures are specifically designed for the pharmaceutical industry with flush mounting and a low RA value finish that minimizes surface crevices for thorough wipe-downs and eliminates areas where contaminants can accumulate. The mounting system pulls the enclosure flush and tight to the wall and can be used on block or stud walls.

Features

- Specifically designed for pharmaceutical industry—flush mounting and flat surfaces eliminate areas where contaminants can accumulate
- Low RA value of PHARMAPRO finish minimizes surface crevices, allowing for a thorough wipe-down
- Enclosure does not protrude into the manufacturing area
- Mounting system included

Specifications

- Enclosure body manufactured from 14 gauge Type 304 stainless steel
- Mounting flange manufactured from 10 gauge Type 316L stainless steel
- Screw cover and hinged door manufactured from 12 gauge Type 316L stainless steel
- Seams continuously welded and ground smooth
- Type 316L stainless steel lift-off hinges used with hinged door
- Type 316L stainless steel slotted oval-head fasteners used with screw cover
- Stainless steel quarter-turn latches used with hinged door
- FDA-approved silicone gasket
- Grounding stud on body; bonding provision on cover or door

Finish

PHARMAPRO low RA finish (typically 15-20 RA) applied to cover, door and mounting flange

Accessories

See also *Accessories*.
 Industrial Corrosion Inhibitors
 CONCEPT[®] Panels

Modification and Customization

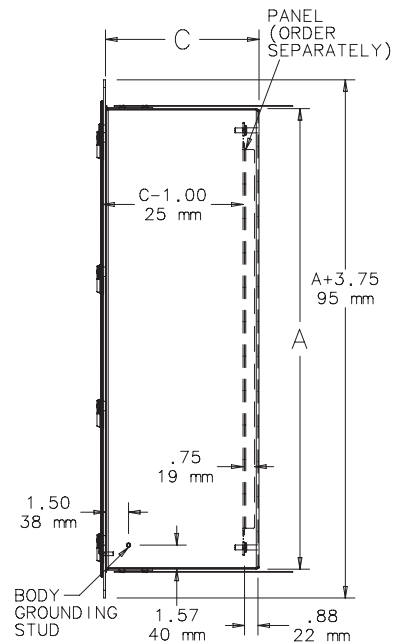
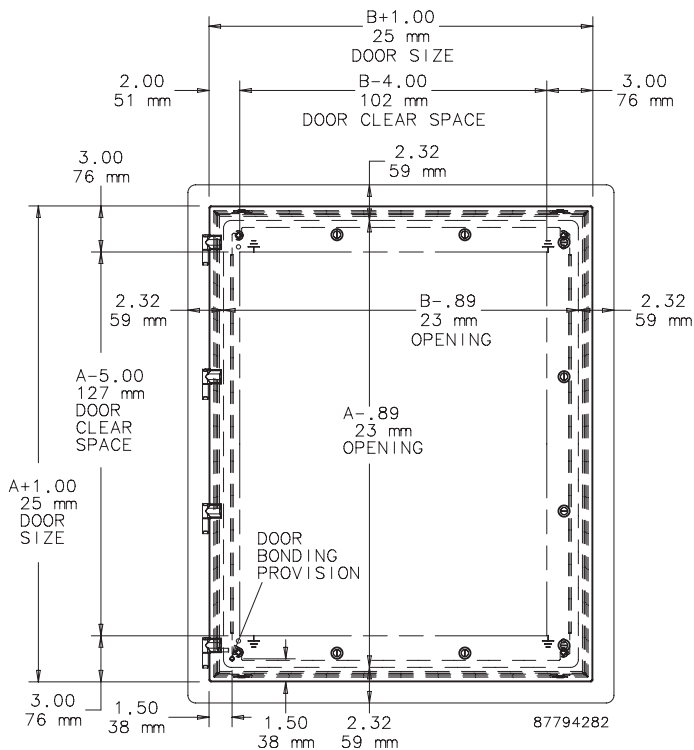
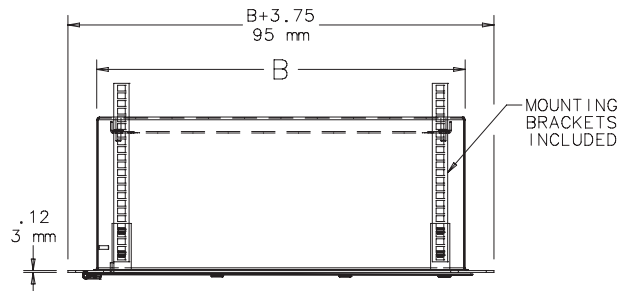
Hoffman excels at modifying and customizing products to your specifications. Contact your local Hoffman sales office or distributor for complete information.

Bulletin: A20S

Flush-Mount Enclosures

Standard Product Hinged-Door

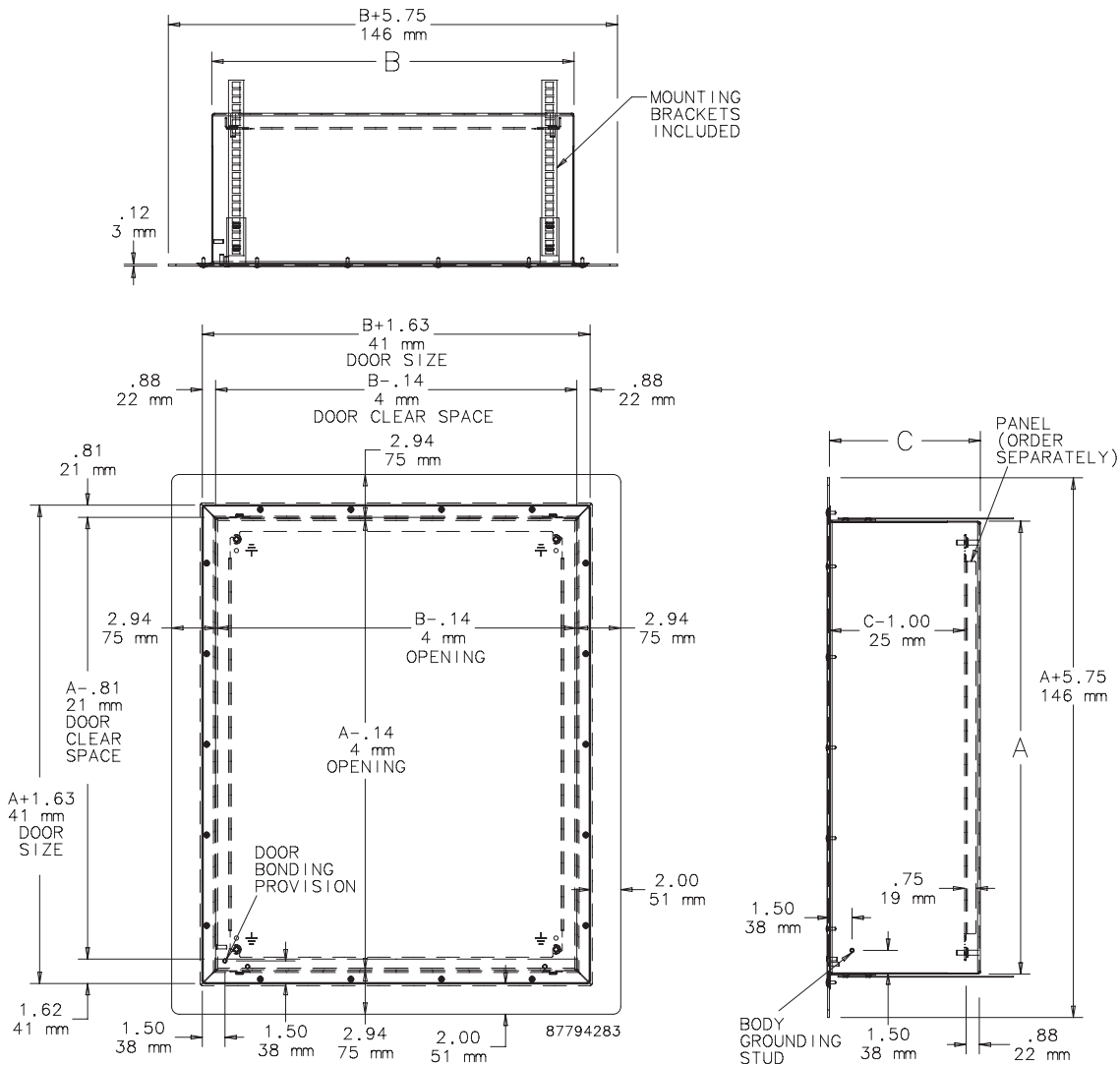
Catalog Number	AxBxC in./mm	Door Gauge	Body Gauge	Size of Mounting Cutout in./mm	Panel	Latches Qty.
AFM20144SS	20.00 x 14.00 x 4.00 508 x 356 x 102	12	14	21.00 x 15.00 533 x 381	CP2014	3
AFM20204SS	20.00 x 20.00 x 4.00 508 x 508 x 102	12	14	21.00 x 21.00 533 x 533	CP2020	5
AFM12126SS	12.00 x 12.00 x 6.00 305 x 305 x 152	12	14	13.00 x 13.00 330 x 330	CP1212	2
AFM16126SS	16.00 x 12.00 x 6.00 406 x 305 x 152	12	14	17.00 x 13.00 432 x 330	CP1612	3
AFM20166SS	20.00 x 16.00 x 6.00 508 x 406 x 152	12	14	21.00 x 17.00 533 x 432	CP2016	5
AFM20206SS	20.00 x 20.00 x 6.00 508 x 508 x 152	12	14	21.00 x 21.00 533 x 533	CP2020	5
AFM24206SS	24.00 x 20.00 x 6.00 610 x 508 x 152	12	14	25.00 x 21.00 635 x 533	CP2420	5
AFM24248SS	24.00 x 24.00 x 8.00 610 x 610 x 203	12	14	25.00 x 25.00 635 x 635	CP2424	7
AFM30248SS	30.00 x 24.00 x 8.00 762 x 610 x 203	12	14	21.00 x 25.00 533 x 635	CP3024	8
AFM242010SS	24.00 x 20.00 x 10.00 610 x 508 x 254	12	14	25.00 x 21 635 x 533	CP2420	5
AFM302410SS	30.00 x 24.00 x 10.00 762 x 610 x 254	12	14	31.00 x 25.00 787 x 635	CP3024	8



Flush-Mount Enclosures

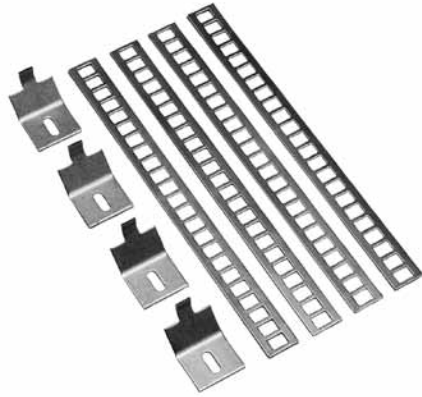
Standard Product Screw-Cover

Catalog Number	AxBxC in./mm	Door Gauge	Body Gauge	Size of Mounting Cutout in./mm	Panel	Latches Qty.
AFMSC20124SS	20.00 x 12.00 x 4.00 508 x 305 x 102	12	14	22.50 x 14.25 565 x 362	CP2012	NA
AFMSC20204SS	20.00 x 20.00 x 4.00 508 x 508 x 102	12	14	22.25 x 22.25 565 x 565	CP2020	NA
AFMSC12126SS	12.00 x 12.00 x 6.00 305 x 305 x 152	12	14	14.25 x 14.25 362 x 362	CP1212	NA
AFMSC16126SS	16.00 x 12.00 x 6.00 406 x 305 x 152	12	14	18.25 x 14.25 464 x 362	CP1612	NA
AFMSC20166SS	20.00 x 16.00 x 6.00 508 x 406 x 152	12	14	22.25 x 18.25 565 x 464	CP2016	NA
AFMSC20206SS	20.00 x 20.00 x 6.00 508 x 508 x 152	12	14	22.25 x 22.25 565 x 565	CP2020	NA
AFMSC24206SS	24.00 x 20.00 x 6.00 610 x 508 x 152	12	14	26.25 x 22.25 667 x 565	CP2420	NA
AFMSC24248SS	24.00 x 24.00 x 8.00 610 x 610 x 203	12	14	26.25 x 26.25 667 x 667	CP2424	NA
AFMSC30248SS	30.00 x 24.00 x 8.00 762 x 610 x 203	12	14	32.25 x 26.25 819 x 667	CP3024	NA
AFMSC242010SS	24.00 x 20.00 x 10.00 610 x 508 x 254	12	14	26.25 x 22.25 667 x 565	CP2420	NA
AFMSC302410SS	30.00 x 24.00 x 10.00 762 x 610 x 254	12	14	32.25 x 26.25 819 x 667	C3024	NA

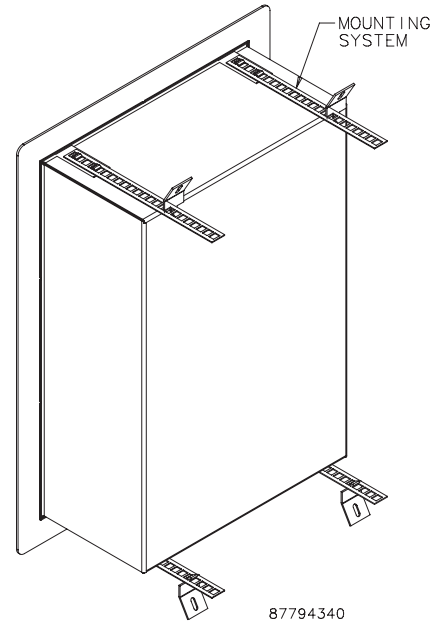


Flush-Mount Enclosures

Mounting System



Adjustable-depth mounting system is included with each enclosure. Mounting system can be used on either block or stud walls.



INLINE® Instrumentation Enclosures

INLINE®, Type 4X



Industry Standards

Mounting brackets required to meet UL/CSA external mounting requirements.

UL 508A Listed; Type 4, 4X, 12; File No. E61997

NEMA/EEMAC Type 4, 4X, 12
 CSA File No. 42186: Type 4, 4X, 12
 IEC 60529, IP66

Application

Aesthetic styling, flush latches and an attractive, stroked finish make INLINE® Enclosures an excellent choice when style and functionality are important. INLINE Enclosures have an outward formed body flange to prevent contaminants from entering the enclosure and are available in three cover styles: hinged window door, hinged solid door and solid screw cover.

Specifications

- 16 gauge covers and doors and 14 gauge bodies; Type 304 or 316L stainless steel
- Seams continuously welded and ground smooth
- External formed body flange trough
- Large perimeter body opening
- Fastening holes in back of body for direct mounting or optional external mounting brackets
- Seamless foam-in-place gasket
- M6 bonding provision on cover, M6 ground stud in body
- Furnished hardware kit includes panel mounting screws, grounding hardware and sealing washers for wall-mounting holes

INLINE Screw-Cover Enclosures

- Captivated Type 316 stainless steel cover screws with sealing bushings made of a durable composite material
- Integral compression stops maintain optimal gasket compression

INLINE Hinged-Door Enclosures

- 180-degree door opening
- Removable Type 316 stainless steel hinge pins
- Standard self-grounding, slotted, quarter-turn Type 316 stainless steel latch system with double seal

INLINE Window-Door Enclosures

- 3/16-in. (4.8-mm) clear polycarbonate window is mounted flush with cover surface
- 180-degree door opening
- Removable Type 316 stainless steel hinge pins
- Standard self-grounding, slotted, quarter-turn Type 316 stainless steel latch system with double seal

Finish

Cover and body have smooth #4 brushed finish.

Accessories

See also Accessories.

DIN Rail or Panel Mounting Brackets
 DIN3 Type Rails
 Key Inserts
 Mounting Bracket Kit
 INLINE® Panels
 Wing Knob Latch

Modification and Customization

Hoffman excels at modifying and customizing products to your specifications. Contact your local Hoffman sales office or distributor for complete information.

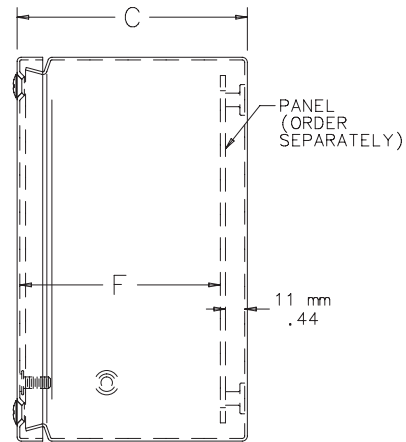
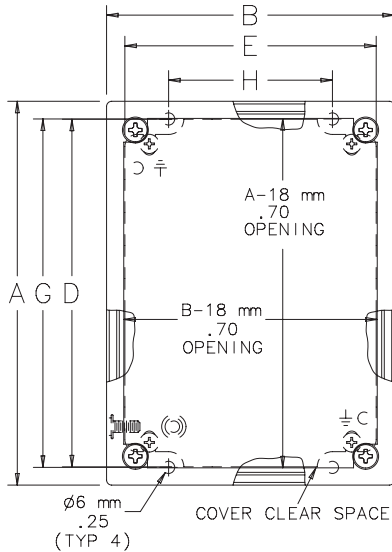
Bulletin: A54S

INLINE® Instrumentation Enclosures
Standard Product Screw-Cover

Catalog Number	AxBxC in./mm	Stainless Steel Type	Steel Panel	Conductive Panel	Panel Size D x E mm/in.	Mounting G x H mm/in.	F mm/in.
LSC151512SS	5.91 x 5.91 x 4.72 150 x 150 x 120	304	LP1515	LP1515G	131 x 131 5.16 x 5.16	132 x 85 5.18 x 3.36	105 4.13
LSC151512SS6	5.91 x 5.91 x 4.72 150 x 150 x 120	316L	LP1515	LP1515G	131 x 131 5.16 x 5.16	132 x 85 5.18 x 3.36	105 4.13
LSC201512SS	7.87 x 5.91 x 4.72 200 x 150 x 120	304	LP2015	LP2015G	181 x 131 7.13 x 5.16	182 x 85 7.15 x 3.35	105 4.13
LSC201512SS6	7.87 x 5.91 x 4.72 200 x 150 x 120	316L	LP2015	LP2015G	181 x 131 7.13 x 5.16	182 x 85 7.15 x 3.35	105 4.13
LSC252015SS	9.84 x 7.87 x 5.91 250 x 200 x 150	304	LP2520	LP2520G	231 x 181 9.09 x 7.13	232 x 135 9.12 x 5.33	135 5.31
LSC252015SS6	9.84 x 7.87 x 5.91 250 x 200 x 150	316L	LP2520	LP2520G	231 x 181 9.09 x 7.13	232 x 135 9.12 x 5.33	135 5.31
LSC302515SS	11.81 x 9.84 x 5.91 300 x 250 x 150	304	LP3025	LP3025G	281 x 231 11.06 x 9.09	281 x 185 11.08 x 7.30	135 5.31
LSC302515SS6	11.81 x 9.84 x 5.91 300 x 250 x 150	316L	LP3025	LP3025G	281 x 231 11.06 x 9.09	281 x 185 11.08 x 7.30	135 5.31
LSC353020SS	13.78 x 11.81 x 7.87 350 x 300 x 200	304	LP3530	LP3530G	331 x 281 13.03 x 11.06	331 x 235 13.05 x 9.27	185 7.28
LSC353020SS6	13.78 x 11.81 x 7.87 350 x 300 x 200	316L	LP3530	LP3530G	331 x 281 13.03 x 11.06	331 x 235 13.05 x 9.27	185 7.28

Purchase panels separately.

Catalog numbers ending in 6 are Type 316L stainless steel.

INLINE® Stainless Steel Screw Cover Enclosure


11C59187

- NOTE:
1. Panels are 2.7mm (12 gauge) steel or conductive steel.
 2. Panel screws are M5-0.8 pan head.
 3. Rear mounting holes will accommodate M6-1.0 or 1/4-20 UNC mounting screws (supplied by customer).

INLINE® Instrumentation Enclosures

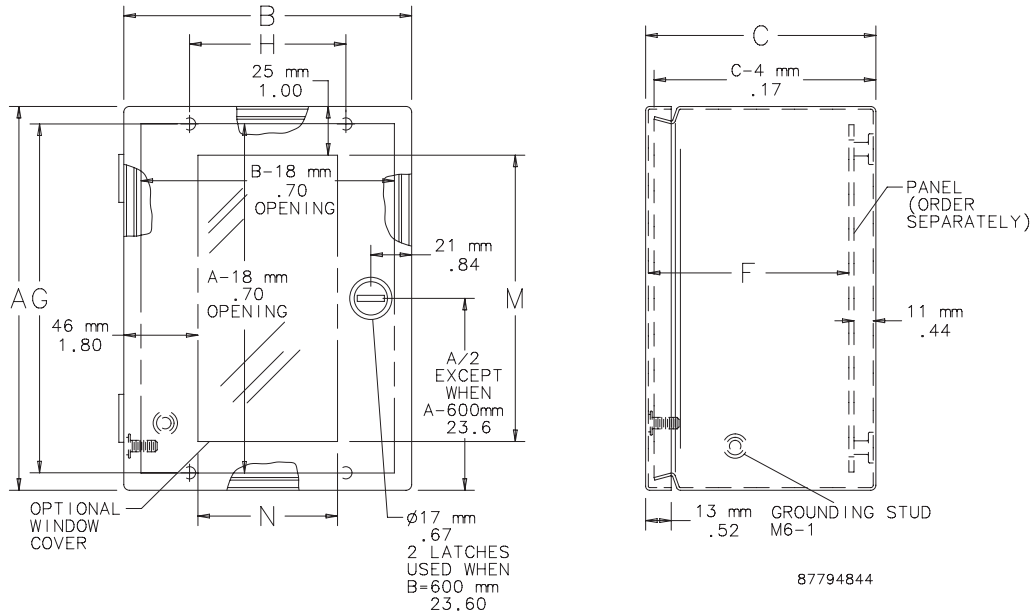
Standard Product Hinged-Cover

Catalog Number	AxBxC in./mm	Stainless Steel Type	Steel Panel	Conductive Panel	Panel Size D x E in./mm	Mounting G x H mm/in.	F in./mm
LHC151512SS	5.91 x 5.91 x 4.72 150 x 150 x 120	304	LP1515	LP1515G	5.16 x 5.16 131 x 131	132 x 85 5.18 x 3.36	4.13 105
LHC151512SS6	5.91 x 5.91 x 4.72 150 x 150 x 120	316L	LP1515	LP1515G	5.16 x 5.16 131 x 131	132 x 85 5.18 x 3.36	4.13 105
LHC201512SS	7.87 x 5.91 x 4.72 200 x 150 x 120	304	LP2015	LP2015G	7.13 x 5.16 181 x 131	182 x 85 7.15 x 3.36	4.13 105
LHC201512SS6	7.87 x 5.91 x 4.72 200 x 150 x 120	316L	LP2015	LP2015G	7.13 x 5.16 181 x 131	182 x 85 7.15 x 3.36	4.13 105
LHC252015SS	9.84 x 7.87 x 5.91 250 x 200 x 150	304	LP2520	LP2520G	9.09 x 7.13 231 x 181	232 x 135 9.12 x 5.33	5.31 135
LHC252015SS6	9.84 x 7.87 x 5.91 250 x 200 x 150	316L	LP2520	LP2520G	9.09 x 7.13 231 x 181	232 x 135 9.12 x 5.33	5.31 135
LHC302515SS	11.81 x 9.84 x 5.91 300 x 250 x 150	304	LP3025	LP3025G	11.06 x 9.09 281 x 231	281 x 185 11.08 x 7.30	5.31 135
LHC302515SS6	11.81 x 9.84 x 5.91 300 x 250 x 150	316L	LP3025	LP3025G	11.06 x 9.09 281 x 231	281 x 185 11.08 x 7.30	5.31 135
LHC353020SS	13.78 x 11.81 x 7.87 350 x 300 x 200	304	LP3530	LP3530G	13.03 x 11.06 331 x 281	331 x 235 13.05 x 9.27	7.28 185
LHC353020SS6	13.78 x 11.81 x 7.87 350 x 300 x 200	316L	LP3530	LP3530G	13.03 x 11.06 331 x 281	331 x 235 13.05 x 9.27	7.28 185

Purchase panels separately.

Catalog numbers ending in 6 are Type 316L stainless steel.

INLINE® Stainless Steel Hinged Door and Window Door Enclosure



NOTE: Hinged on "B" side of enclosure when B = 400 mm or 600 mm.

INLINE® Instrumentation Enclosures

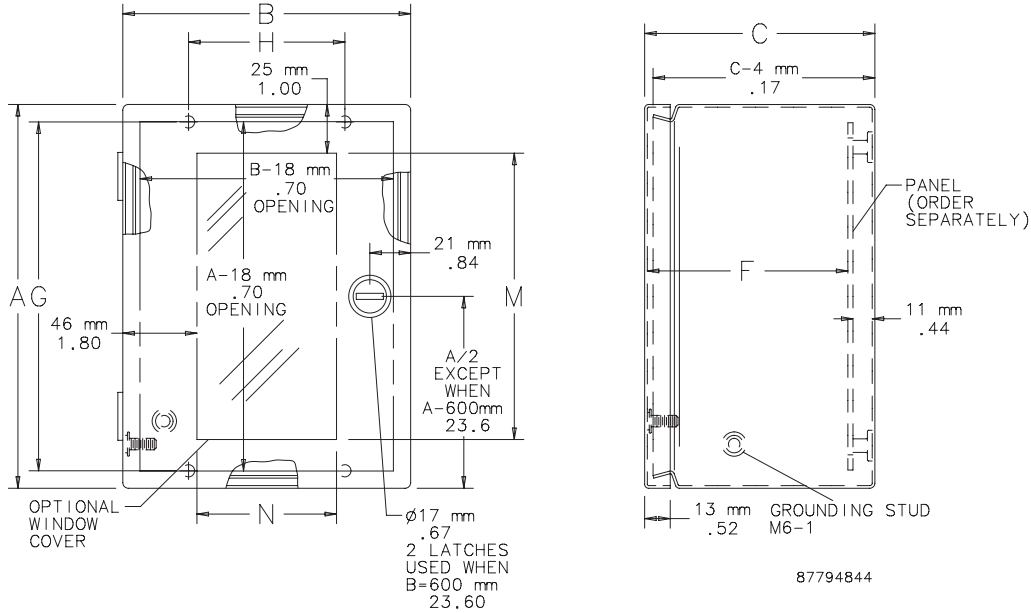
Standard Product Window-Door

Catalog Number	AxBxC in./mm	Stainless Steel Type	Steel Panel	Conductive Panel	Panel Size D x E in./mm	Mounting G x H mm/in.	Window Size M x N in./mm	F in./mm
LWC201512SS	7.87 x 5.91 x 4.72 200 x 150 x 120	304	LP2015	LP2015G	7.13 x 5.16 181 x 131	182 x 85 7.15 x 3.36	5.87 x 2.56 149 x 65	3.98 101
LWC201512SS6	7.87 x 5.91 x 4.72 200 x 150 x 120	316L	LP2015	LP2015G	7.13 x 5.16 181 x 131	182 x 85 7.15 x 3.36	5.87 x 2.56 149 x 65	3.98 101
LWC252015SS	9.84 x 7.87 x 5.91 250 x 200 x 150	304	LP2520	LP2520G	9.09 x 7.13 231 x 181	232 x 135 9.12 x 5.33	7.83 x 4.53 199 x 115	5.16 131
LWC252015SS6	9.84 x 7.87 x 5.91 250 x 200 x 150	316L	LP2520	LP2520G	9.09 x 7.13 231 x 181	232 x 135 9.12 x 5.33	7.83 x 4.53 199 x 115	5.16 131
LWC302515SS	11.81 x 9.84 x 5.91 300 x 250 x 150	304	LP3025	LP3025G	11.06 x 9.09 281 x 231	281 x 185 11.08 x 7.30	9.80 x 6.50 249 x 165	5.16 131
LWC302515SS6	11.81 x 9.84 x 5.91 300 x 250 x 150	316L	LP3025	LP3025G	11.06 x 9.09 281 x 231	281 x 185 11.08 x 7.30	9.80 x 6.50 249 x 165	5.16 131
LWC204015SS	7.87 x 15.75 x 5.91 200 x 400 x 150	304	LP2040	LP2040G	7.13 x 15.00 181 x 381	182 x 335 7.15 x 13.20	4.53 x 13.74 115 x 349	5.16 131
LWC204015SS6	7.87 x 15.75 x 5.91 200 x 400 x 150	316L	LP2040	LP2040G	7.13 x 15.00 181 x 381	182 x 335 7.15 x 13.20	4.53 x 13.74 115 x 349	5.16 131
LWC206015SS	7.87 x 23.62 x 5.91 200 x 600 x 150	304	LP2060	LP2060G	7.13 x 22.87 181 x 581	182 x 535 7.15 x 21.08	4.53 x 21.61 115 x 549	5.16 131
LWC206015SS6	7.87 x 23.62 x 5.91 200 x 600 x 150	316L	LP2060	LP2060G	7.13 x 22.87 181 x 581	182 x 535 7.15 x 21.08	4.53 x 21.61 115 x 549	5.16 131

Purchase panels separately.

Catalog numbers ending in 6 are Type 316L stainless steel.

INLINE® Stainless Steel Hinged Door and Window Door Enclosure



NOTE: Hinged on "B" side of enclosure when B = 400 mm or 600 mm.

INLINE® Landscape Instrumentation Enclosures and Accessories
INLINE® Landscape, Type 4X

Industry Standards

 UL 508A Listed; Type 4, 4X, 12; File Number E61997
 cUL Listed per CSA C22.2 No 94; Type 4, 4X, 12; File Number E61997

 NEMA/EEMAC Type 4, 4X, 12
 CSA File Number 42186: Type 4, 4X, 12
 IEC 60529, IP66

Application

When applications require mounting electrical components the full width of the enclosure, the landscape orientation of this aesthetic INLINE® Enclosure makes this possible. The full-width mounting brackets can be drilled anywhere along their length, providing maximum mounting flexibility.

Specifications

- 14 gauge Type 304 stainless steel body; 16 gauge Type 304 stainless steel door
- Seams continuously welded and ground smooth
- External formed body flange trough
- Large perimeter body opening
- Mounting brackets are spot-welded to top and bottom of enclosure

- Mounting brackets have predrilled mounting holes; customer-specific location holes can be drilled for mounting flexibility
- Seamless foam-in-place gasket
- M6 ground stud with base flange on body; M6 bonding provision with base flange on door
- Furnished hardware kit includes panel mounting screws and grounding hardware
- Hinged door with removable hinge pins and self-grounding quarter-turn latch system with double seal
- Door opens 180 degrees
- Window door models include 3/16-in. (4.8-mm) clear polycarbonate window mounted flush with door surface

Finish

Type 304 stainless steel with #4 brushed finish. Back is not brushed.

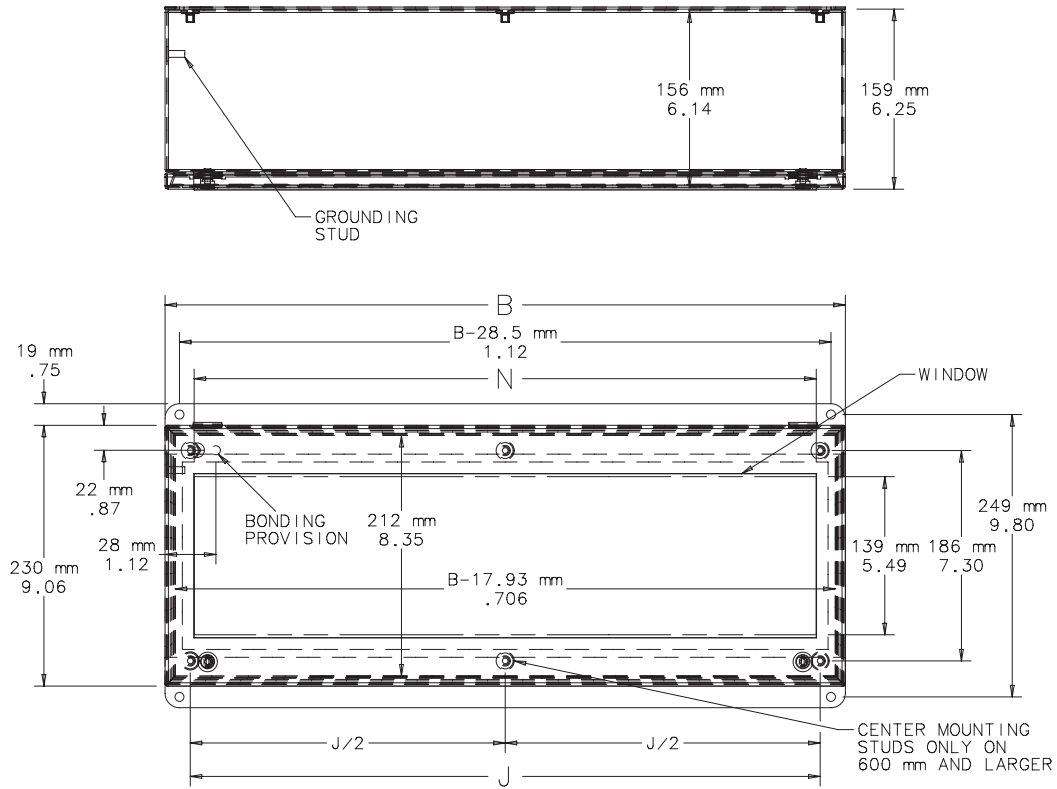
Accessories

See also Accessories.
 Mounting Bracket Kit
 Lock Inserts
 Wing Knob Latch
 Grounding Kit
 DIN3 Type Rail
 DIN Rail or Panel-Mounting Brackets

Bulletin: A54S
Standard Product

Catalog Number	AxBxC in./mm	Enclosure B mm/in.	Window N mm/in.	Mtg. Holes H mm/in.	Mtg. Studs J mm/in.	Clear Space Above Panel mm/in.
LHC233116SS	9.06 x 12.20 x 6.10	310	—	281	265	140
	230 x 310 x 155	12.21	—	11.08	10.45	5.51
LWC233116SS	9.06 x 12.20 x 6.10	310	259	281	265	140
	230 x 310 x 155	12.21	10.20	11.08	10.45	5.51
LHC234616SS	9.06 x 18.11 x 6.10	460	—	431	416	140
	230 x 460 x 155	18.11	—	16.99	16.36	5.51
LWC234616SS	9.06 x 18.11 x 6.10	460	409	431	416	140
	230 x 460 x 155	18.11	16.11	16.99	16.36	5.51
LHC236016SS	9.06 x 23.62 x 6.10	600	—	571	556	140
	230 x 600 x 155	23.62	—	22.50	21.88	5.51
LWC236016SS	9.06 x 23.62 x 6.10	600	549	571	556	140
	230 x 600 x 155	23.62	21.62	22.50	21.88	5.51
LHC237716SS	9.06 x 30.31 x 6.10	770	—	741	726	140
	230 x 770 x 155	30.32	—	29.19	28.57	5.51
LWC237716SS	9.06 x 30.31 x 6.10	770	719	741	726	140
	230 x 770 x 155	30.32	28.31	29.19	28.57	5.51
LHC239316SS	9.06 x 36.61 x 6.10	925	—	896	881	140
	230 x 930 x 155	36.42	—	35.29	34.67	5.51
LWC239316SS	9.06 x 36.61 x 6.10	925	874	896	881	140
	230 x 930 x 155	36.42	34.42	35.29	34.67	5.51

INLINE® Landscape Instrumentation Enclosures and Accessories



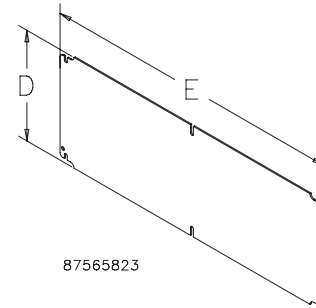
87565822

INLINE® Landscape Panels

Panels are 12 gauge steel with a white polyester powder paint or conductive finish. They include a labeled ground hole sized for an M6 screw. Panels mount on studs provided in the enclosure or to optional DIN mounting brackets.

Bulletin: A54P

Catalog Number	Conductive Panel	Panel Size D x E (mm)	Panel Size D x E (in.)
LP2331	LP2331G	211 x 291	8.31 x 11.46
LP2346	LP2346G	211 x 441	8.31 x 17.36
LP2360	LP2360G	211 x 581	8.31 x 22.87
LP2377	LP2377G	211 x 751	8.31 x 29.57
LP2393	LP2393G	211 x 906	8.31 x 35.67



87565823

Optional Components Selection Guide

Use the table to assist with selection of the optional components for the appropriate INLINE enclosure.

Bulletin: A54S

Catalog Number	AxBxC in.	AxBxC mm	Solid or Window Cover Enclosure	Panel	Conductive	DIN Rail	DIN Rail or Panel Mounting Bracket
LHC233116SS	9.06 x 12.20 x 6.10	230 x 310 x 155	Solid Cover	LP2331	LP2331G	LDR3P31	LMK23
LWC233116SS	9.06 x 12.20 x 6.10	230 x 310 x 155	Window Cover	LP2331	LP2331G	LDR3P31	LMK23
LHC234616SS	9.06 x 18.11 x 6.10	230 x 460 x 155	Solid Cover	LP2346	LP2346G	LDR3P46	LMK23
LWC234616SS	9.06 x 18.11 x 6.10	230 x 460 x 155	Window Cover	LP2346	LP2346G	LDR3P46	LMK23
LHC236016SS	9.06 x 23.62 x 6.10	230 x 600 x 155	Solid Cover	LP2360	LP2360G	LDR3P60	LMK23
LWC236016SS	9.06 x 23.62 x 6.10	230 x 600 x 155	Window Cover	LP2360	LP2360G	LDR3P60	LMK23
LHC237716SS	9.06 x 30.31 x 6.10	230 x 770 x 155	Solid Cover	LP2377	LP2377G	LDR3P77	LMK23
LWC237716SS	9.06 x 30.31 x 6.10	230 x 770 x 155	Window Cover	LP2377	LP2377G	LDR3P77	LMK23
LHC239316SS	9.06 x 36.61 x 6.10	230 x 930 x 155	Solid Cover	LP2393	LP2393G	LDR3P93	LMK23
LWC239316SS	9.06 x 36.61 x 6.10	230 x 930 x 155	Window Cover	LP2393	LP2393G	LDR3P93	LMK23

600-mm and longer enclosures require two sets of brackets for mounting panels.

Consoles

Consoles, Type 12



Industry Standards

UL 508A Listed; Type 12, 13; File Number E61997
 cUL Listed per CSA C22.2 No 94; Type 12, 13; File Number E61997

NEMA/EEMAC Type 12
 CSA File Number 42186: Type 12
 IEC 60529, IP65

Application

Consoles are ideal for mounting small control or instrumentation devices where the desirable access requires a 30- or 60-degree surface. These enclosures can be mounted on either of two sides for placement on desktops, pedestals or other flat surfaces. See the HMI chapter for related mild steel consoles.

Specifications

- Type 304 stainless steel
- Seams continuously welded and ground smooth
- Captivated cover screws thread into sealed wells
- Cover attached with continuous hinge
- Oil-resistant gasket
- Bonding provision on door

Finish

Cover and sides of body have smooth #4 brushed finish.

Accessories

See also *Accessories*.
 Industrial Corrosion Inhibitors
 Steel and Stainless Steel Window Kits

Modification and Customization

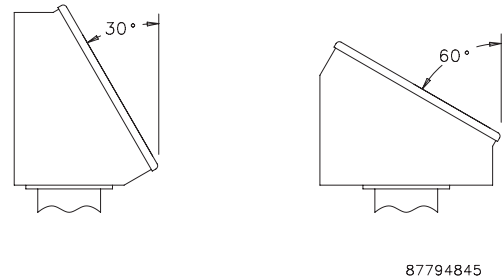
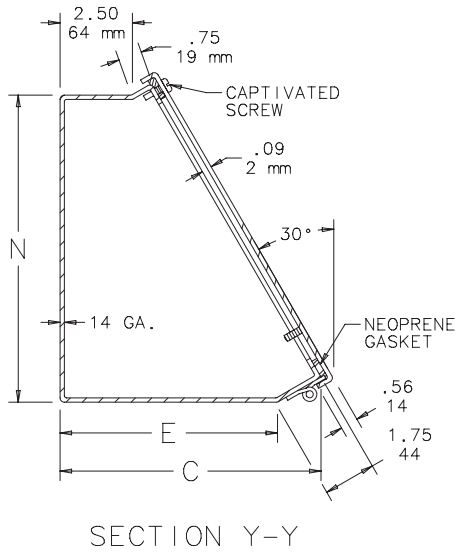
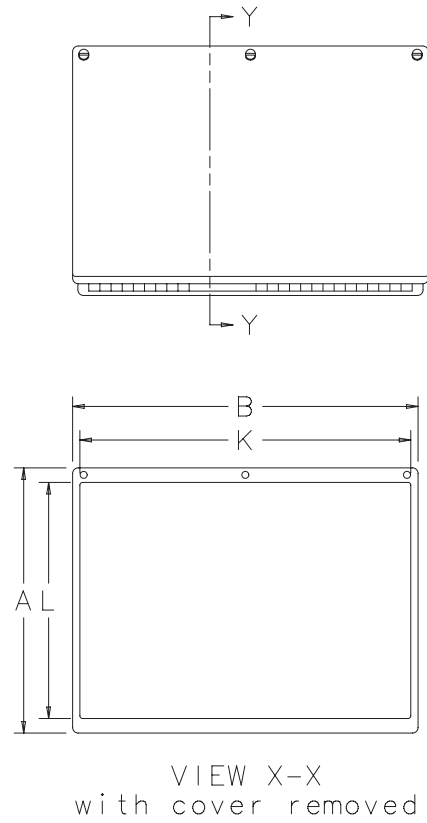
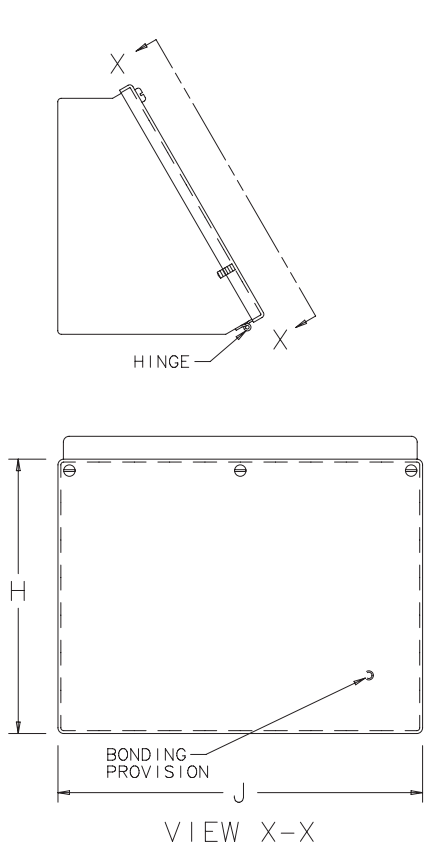
Hoffman excels at modifying and customizing products to your specifications. Contact your local Hoffman sales office or distributor for complete information.

Bulletin: C5S

Standard Product

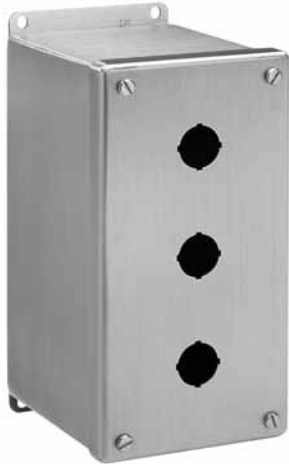
Catalog Number	AxBxC in./mm	E in./mm	H in./mm	J in./mm	K in./mm	L in./mm	N in./mm
C8C85S	8.00 x 8.00 x 7.09	5.62	8.28	8.28	7.50	6.62	7.44
	203 x 203 x 180	143	210	210	191	168	189
C8C125S	8.00 x 12.00 x 7.09	5.62	8.28	12.28	11.50	6.62	7.44
	203 x 305 x 180	143	210	312	292	168	189
C8C165S	8.00 x 16.00 x 7.09	5.62	8.28	16.28	15.50	6.62	7.44
	203 x 406 x 180	143	210	414	394	168	189
C8C205S	8.00 x 20.00 x 7.09	5.62	8.28	20.28	19.50	6.62	7.44
	203 x 508 x 180	143	210	515	495	168	189
C12C125S	12.00 x 12.00 x 9.09	7.62	12.28	12.28	11.50	10.62	10.91
	305 x 305 x 231	194	312	312	292	270	277
C12C165S	12.00 x 16.00 x 9.09	7.62	12.28	16.28	15.50	10.62	10.91
	305 x 406 x 231	194	312	414	394	270	277
C12C205S	12.00 x 20.00 x 9.09	7.62	12.28	20.28	19.50	10.62	10.91
	305 x 508 x 231	194	312	515	495	270	277
C12C245S	12.00 x 24.00 x 9.09	7.62	12.28	24.28	23.50	10.62	10.91
	305 x 610 x 231	194	312	617	597	270	277
C16C165S	16.00 x 16.00 x 11.09	9.62	16.28	16.28	15.50	14.62	14.38
	406 x 406 x 282	244	414	414	394	371	365
C16C205S	16.00 x 20.00 x 11.09	9.62	16.28	20.28	19.50	14.62	14.38
	406 x 508 x 282	244	414	515	495	371	365
C16C245S	16.00 x 24.00 x 11.09	9.62	16.28	24.28	23.50	14.62	14.38
	406 x 610 x 282	244	414	617	597	371	365
C16C305S	16.00 x 30.00 x 11.09	9.62	16.28	30.28	29.50	14.62	14.38
	406 x 762 x 282	244	414	769	749	371	365
C16C365S	16.00 x 36.00 x 11.09	9.62	16.28	36.28	35.50	14.62	14.38
	406 x 914 x 282	244	414	922	902	371	365
C20C205S	20.00 x 20.00 x 13.09	11.62	20.28	20.28	18.62	18.62	17.84
	508 x 508 x 332	295	515	515	473	473	453
C20C245S	20.00 x 24.00 x 13.09	11.62	20.28	24.28	22.62	18.62	17.84
	508 x 610 x 332	295	515	617	575	473	453
C20C305S	20.00 x 30.00 x 13.09	11.62	20.28	30.28	28.62	18.62	17.84
	508 x 762 x 332	295	515	769	727	473	453

Consoles



Pushbutton Enclosures

Extra-Deep 30.5-mm Pushbutton Enclosures, Type 4X



Application

Designed to house 30.5-mm oil-tight pushbuttons, switches and pilot lights. Enclosures provide protection against dirt, dust, oil and water. Extra-deep design accommodates additional contact blocks for pushbuttons.

See *Mild Steel* chapter for related mild steel enclosures.

Specifications

- 14 gauge bodies, 16 gauge covers; Type 304 or Type 316 stainless steel
- Seams continuously welded and ground smooth
- Captivated cover screws thread into sealed wells
- Bonding provision on door; grounding nut on body
- 4-way pushbutton holes accept all brands of oil-tight pushbuttons, switches and pilot lights
- Enclosures 6.00 x 4.00 x 4.75 in. (152 x 102 x 121 mm) and larger have internal detachable hinge to hold cover open during wiring, yet permit immediate removal
- Oil-resistant gasket

Finish

Cover and sides of body have smooth #4 brushed finish.

Accessories

See also *Accessories*.

Industrial Corrosion Inhibitors

HOL-SEALERS™ Hole Seals

Tamper-Resistant Screws

Bulletin: PB1S

Industry Standards

UL 508A Listed; Type 4, 4X, 12; File Number E61997
 cUL Listed per CSA C22.2 No 94; Type 4, 4X, 12; File Number E61997

NEMA/EEMAC Type 4X, 12, 13

CSA File Number 42186: Type 4, 4X, 12

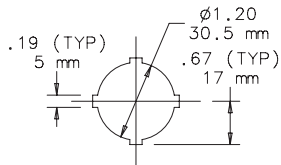
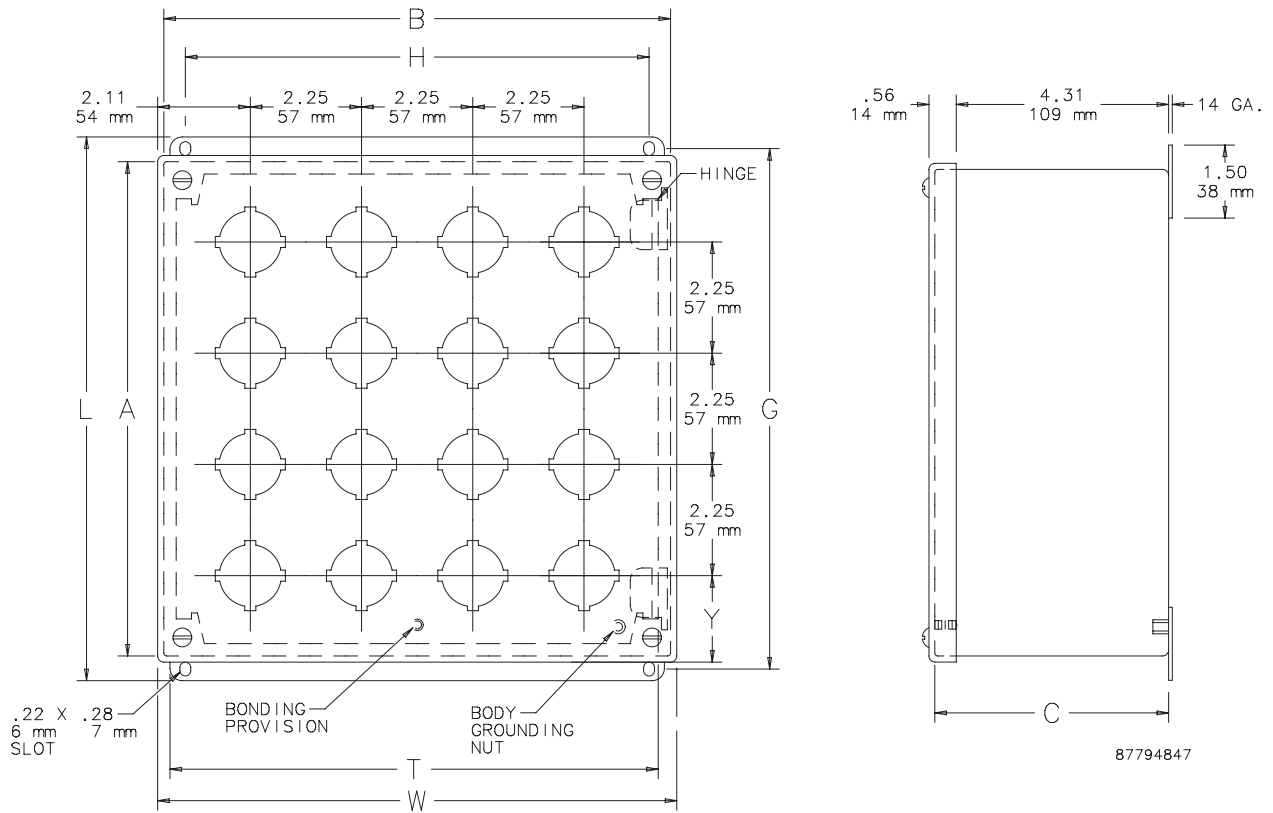
IEC 60529, IP66

Standard Product

Catalog Number	AxBxC in./mm	Stainless Steel Type	Gauge	Number of Holes	Mounting G x H in./mm	Overall L x W in./mm	T in./mm	Y in./mm
E1PBXSS	4.00 x 4.00 x 4.75	304	16	1	4.50 x 3.12	5.00 x 4.22	3.75	2.11
	102 x 102 x 121				114 x 79	127 x 107	95	54
E2PBXSS	6.00 x 4.00 x 4.75	304	14	2	6.50 x 3.12	7.00 x 4.22	3.75	1.98
	152 x 102 x 121				165 x 79	178 x 107	95	50
E3PBXSS	8.00 x 4.00 x 4.75	304	14	3	8.50 x 3.12	9.00 x 4.22	3.75	1.86
	203 x 102 x 121				216 x 79	229 x 107	95	47
E4PBXSS	10.00 x 4.00 x 4.75	304	14	4	10.50 x 3.12	11.00 x 4.22	3.75	1.73
	254 x 102 x 121				267 x 79	279 x 107	95	44
E16PBXSS	11.75 x 10.75 x 4.75	304	14	16	12.25 x 9.88	12.75 x 10.97	10.50	2.61
	298 x 273 x 121				311 x 251	324 x 279	267	66
E16PBXSS6	11.75 x 10.75 x 4.75	316	14	16	12.25 x 9.88	12.75 x 10.97	10.50	2.61
	298 x 273 x 121				311 x 251	324 x 279	267	66

Catalog number ending in 6 is Type 316L stainless steel.

Pushbutton Enclosures



30.5mm 4-WAY

NOTE: Cover bonding provision location varies based on pushbutton pattern.

Hole Arrangement



Pushbutton Enclosures

Extra-Deep 22.5-mm Pushbutton Enclosures, Type 4X



Industry Standards

UL 508A Listed; Type 4, 4X, 12; File Number E61997
 cUL Listed per CSA C22.2 No 94; Type 4, 4X, 12; File Number E61997

NEMA/EEMAC Type 4X, 12, 13
 CSA File Number 42186: Type 4, 4X, 12
 IEC 60529, IP66

Application

Designed to house 22.5-mm oil-tight pushbuttons, switches and pilot lights. Enclosures provide protection against dust, dirt, oil and water. Extra-deep design accommodates additional contact blocks for pushbuttons.

Specifications

- 14 gauge bodies, 16 gauge covers; Type 304 stainless steel
- Seams continuously welded and ground smooth
- Captivated stainless steel cover screws thread into sealed wells
- Enclosures 8.50 x 4.00 x 4.75 in. (216 x 102 x 121 mm) and larger have internal detachable hinge to hold cover open during wiring, yet permit immediate removal
- Bonding provision on door; grounding nut on body
- Oil-resistant gasket

Finish

Covers and sides of body have a smooth #4 brushed finish.

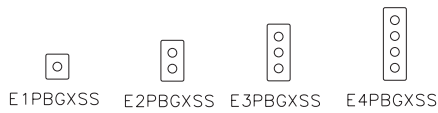
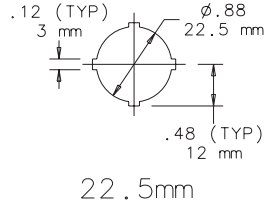
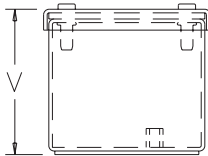
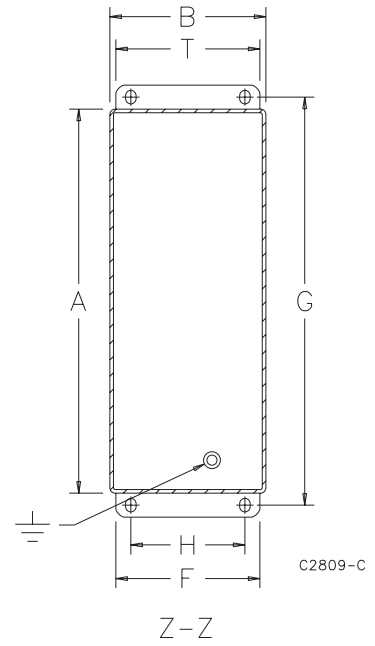
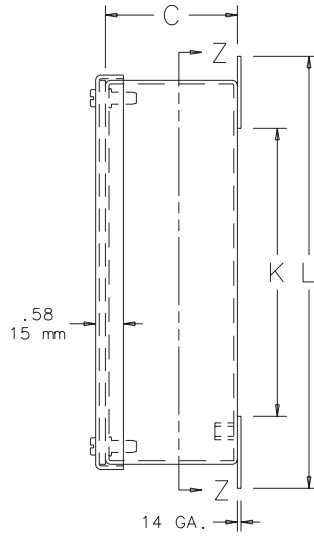
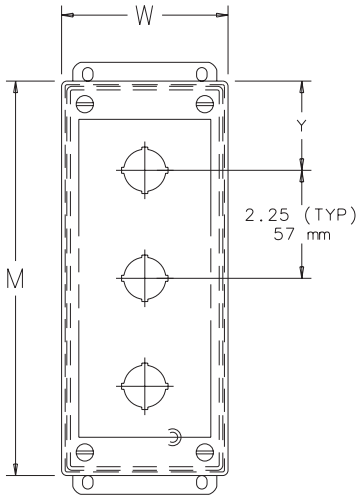
Accessories

See also *Accessories*.
 Industrial Corrosion Inhibitors, page 1248
 HOL-SEALERS™ Hole Seals
 Tamper-Resistant Screws
 Bulletin: PB1S

Standard Product

Catalog Number	AxBxC in./mm	Gauge	Holes	Mounting G x H in./mm	Overall L x W in./mm	F in./mm	K in./mm	M in./mm	T in./mm	V in./mm	Y in./mm
E1PBGXSS	4.00 x 4.00 x 4.75	16	1	4.50 x 3.13	5.00 x 4.22	3.75	2.00	4.22	3.34	5.00	—
	102 x 102 x 121			114 x 80	127 x 107	95	51	85	85	127	—
E2PBGXSS	6.00 x 4.00 x 4.75	14	2	6.50 x 3.13	7.00 x 4.22	3.75	4.00	6.22	3.34	5.00	1.98
	152 x 102 x 121			165 x 80	178 x 107	95	102	158	85	127	50
E3PBGXSS	8.00 x 4.00 x 4.75	14	3	8.50 x 3.13	9.00 x 4.22	3.75	6.00	8.22	3.34	5.00	1.86
	203 x 102 x 121			216 x 80	229 x 107	95	152	209	85	127	47
E4PBGXSS	10.00 x 4.00 x 4.75	14	4	10.50 x 3.13	11.00 x 4.22	3.75	8.00	10.22	3.34	5.00	1.73
	254 x 102 x 121			267 x 80	270 x 107	95	203	260	85	127	44

Pushbutton Enclosures



Pushbutton Enclosures

30.5-mm and 22.5-mm Pushbutton Enclosures, Type 4X



Industry Standards

UL 508A Listed; Type 4, 4X, 12; File Number E61997
 cUL Listed per CSA C22.2 No 94; Type 4, 4X, 12; File Number E61997

NEMA/EEMAC Type 4X, 12, 13
 CSA File Number 42186: Type 4, 4X, 12
 IEC 60529, IP66

Application

Punched specifically to house either 30.5-mm or 22.5-mm oil-tight pushbuttons, switches and pilot lights. Enclosures provide protection against dirt, dust, oil and water.
 See *Mild Steel* chapter for related mild steel enclosures.

Specifications

- 14 gauge bodies, 16 gauge covers; Type 304 or Type 316 stainless steel
- Seams continuously welded and ground smooth
- Captivated cover screws thread into sealed wells
- Bonding provision on door; grounding nut on body
- 4-way pushbutton holes accept all brands of oil-tight pushbuttons, switches and pilot lights
- Enclosures with more than one column of pushbutton holes have internal detachable hinge to hold cover open during wiring, yet permit immediate removal
- Oil-resistant gasket

Finish

Cover and sides of body have smooth #4 brushed finish.

Accessories

See also *Accessories*.
 Industrial Corrosion Inhibitors, page 1248
 HOL-SEALERS™ Hole Seals
 Tamper-Resistant Screws
 Bulletin: PB1S

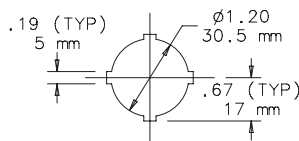
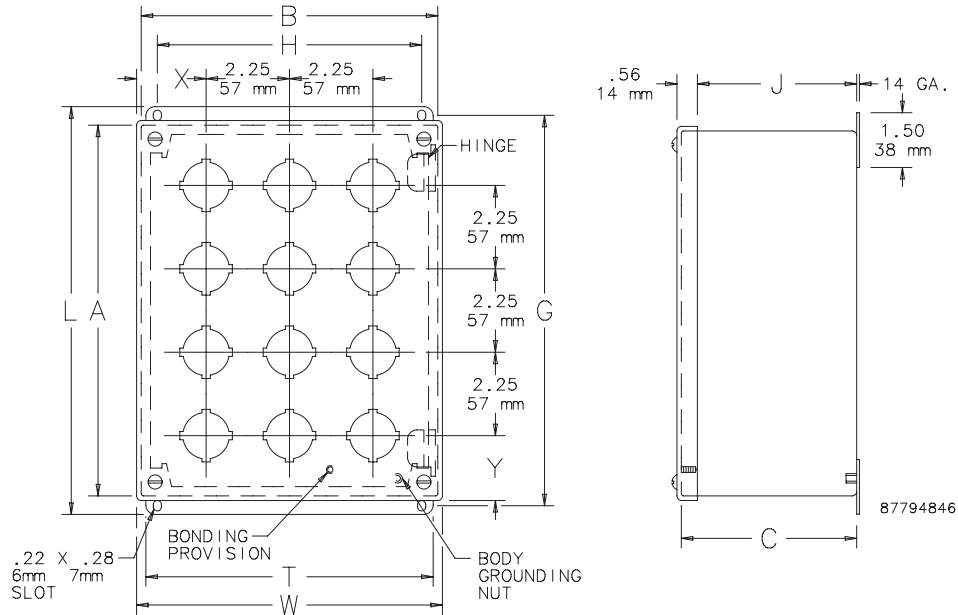
Standard Product

Catalog Number	AxBxC in./mm	Hole Size	Stainless Steel Type	Gauge	Number of Holes	Mounting G x H in./mm	Overall L x W in./mm	J in./mm	T in./mm	X in./mm	Y in./mm
E1PBSS	3.50 x 3.25 x 2.75 89 x 83 x 70	30.5 mm	Type 304	16	1	4.00 x 2.38 102 x 60	4.50 x 3.47 114 x 88	2.31 59	3.00 76	1.73 47	1.86 47
E1PBSS6	3.50 x 3.25 x 2.75 89 x 83 x 70	30.5 mm	Type 316	16	1	4.00 x 2.38 102 x 60	4.50 x 3.47 114 x 88	2.31 59	3.00 76	1.73 47	1.86 47
E1PBGSS	3.50 x 3.25 x 2.75 89 x 83 x 70	22.5 mm	Type 304	16	1	4.00 x 2.38 102 x 60	4.50 x 3.47 114 x 88	2.31 59	3.00 76	1.73 47	1.86 47
E2PBSS	5.75 x 3.25 x 2.75 146 x 83 x 70	30.5 mm	Type 304	16	2	6.25 x 2.38 159 x 60	6.75 x 3.47 171 x 88	2.31 59	3.00 76	1.73 44	1.86 47
E2PBSS6	5.75 x 3.25 x 2.75 146 x 83 x 70	30.5 mm	Type 316	16	2	6.25 x 2.38 159 x 60	6.75 x 3.47 171 x 88	2.31 59	3.00 76	1.73 44	1.86 47
E2PBGSS	5.75 x 3.25 x 2.75 146 x 83 x 70	22.5 mm	Type 304	16	2	6.25 x 2.38 159 x 60	6.75 x 3.47 171 x 88	2.31 59	3.00 76	1.73 44	1.86 47
E3PBSS	8.00 x 3.25 x 2.75 203 x 83 x 70	30.5 mm	Type 304	14	3	8.50 x 2.38 216 x 60	9.00 x 3.47 229 x 88	2.31 59	3.00 76	1.73 44	1.86 47
E3PBSS6	8.00 x 3.25 x 2.75 203 x 83 x 70	30.5 mm	Type 316	14	3	8.50 x 2.38 216 x 60	9.00 x 3.47 229 x 88	2.31 59	3.00 76	1.73 44	1.86 47
E3PBGSS	8.00 x 3.25 x 2.75 203 x 83 x 70	22.5 mm	Type 304	14	3	8.50 x 2.38 216 x 60	9.00 x 3.47 229 x 88	2.31 59	3.00 76	1.73 44	1.86 47
E4PBSS	10.25 x 3.25 x 2.75 260 x 83 x 70	30.5 mm	Type 304	14	4	10.75 x 2.38 273 x 60	11.25 x 3.47 286 x 88	2.31 59	3.00 76	1.73 44	1.86 47
E4PBSS6	10.25 x 3.25 x 2.75 260 x 83 x 70	30.5 mm	Type 316	14	4	10.75 x 2.38 273 x 60	11.25 x 3.47 286 x 88	2.31 59	3.00 76	1.73 44	1.86 47
E4PBGSS	10.25 x 3.25 x 2.75 260 x 83 x 70	22.5 mm	Type 304	14	4	10.75 x 2.38 273 x 60	11.25 x 3.47 286 x 88	2.31 59	3.00 76	1.73 44	1.86 47
E6PBSS	9.50 x 6.25 x 3.00 241 x 159 x 76	30.5 mm	Type 304	14	6	10.00 x 5.38 254 x 137	10.50 x 6.47 267 x 164	2.56 65	6.00 152	2.11 54	2.61 66
E6PBSS6	9.50 x 6.25 x 3.00 241 x 159 x 76	30.5 mm	Type 316	14	6	10.00 x 5.38 254 x 137	10.50 x 6.47 267 x 164	2.56 65	6.00 152	2.11 54	2.61 66
E6PBGSS	9.50 x 6.25 x 3.00 241 x 159 x 76	22.5 mm	Type 304	14	6	10.00 x 5.38 254 x 137	10.50 x 6.47 267 x 164	2.56 65	6.00 152	2.11 54	2.61 66

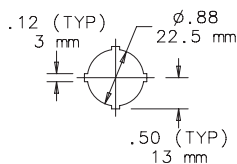
Pushbutton Enclosures

Catalog Number	Ax B x C in./mm	Hole Size	Stainless Steel Type	Gauge	Number of Holes	Mounting	Overall	J in./mm	T in./mm	X in./mm	Y in./mm
						G x H in./mm	L x W in./mm				
E9PBSS	9.50 x 8.50 x 3.00	30.5 mm	Type 304	14	9	10.00 x 7.62	10.50 x 8.72	2.56	8.25	2.11	2.61
	241 x 216 x 76					254 x 194	267 x 221				
E9PBSS6	9.50 x 8.50 x 3.00	30.5 mm	Type 316	14	9	10.00 x 7.62	10.50 x 8.72	2.56	8.25	2.11	2.61
	241 x 216 x 76					254 x 194	267 x 221				
E9PBGSS	9.50 x 8.50 x 3.00	22.5 mm	Type 304	14	9	10.00 x 7.62	10.50 x 8.72	2.56	8.25	2.11	2.61
	241 x 216 x 76					254 x 194	267 x 221				
E12PBSS	11.75 x 8.50 x 3.00	30.5 mm	Type 304	14	12	12.25 x 7.62	12.75 x 8.72	2.56	8.25	2.11	2.61
	298 x 216 x 76					311 x 194	324 x 221				
E12PBSS6	11.75 x 8.50 x 3.00	30.5 mm	Type 316	14	12	12.25 x 7.62	12.75 x 8.72	2.56	8.25	2.11	2.61
	298 x 216 x 76					311 x 194	324 x 221				
E12PBGSS	11.75 x 8.50 x 3.00	22.5 mm	Type 304	14	12	12.25 x 7.62	12.75 x 8.72	2.56	8.25	2.11	2.61
	298 x 216 x 76					311 x 194	324 x 221				

Catalog number ending in 6 is Type 316L stainless steel.



30.5mm 4-WAY



22.5mm 4-WAY

NOTE: Cover bonding provision location varies based on pushbutton pattern.

Hole Arrangement



E1PBSS
E1PBSS6
E1PBGSS

E2PBSS
E2PBSS6
E2PBGSS

E3PBSS
E3PBSS6
E3PBGSS

E4PBSS
E4PBSS6
E4PBGSS

E6PBSS
E6PBSS6
E6PBGSS

E9PBSS
E9PBSS6
E9PBGSS

E12PBSS
E12PBSS6
E12PBGSS

CONCEPT® Wall-Mount Enclosures
CONCEPT®, Type 4X

Industry Standards

Mounting brackets required to meet UL/CSA external mounting requirements.

UL 508A Listed; Type 3R, 4, 4X, 12; File No. E61997
 cUL Listed per CSA C22.2 No 94; Type 3R, 4, 4X, 12; File No. E61997

NEMA/EEMAC Type 3R, 4, 4X, 12, 13
 CSA File No. 42186: Type 4, 4X, 12
 VDE IP66
 IEC 60529, IP66
 Meets NEMA Type 3RX requirements

Application

For indoor or outdoor applications that require corrosion protection from chemicals and water. CONCEPT® Enclosures feature streamlined styling with an attractive stroked finish and flush quarter-turn latches for secure closure. Available in solid- and window-door models.

Specifications

- Manufactured from Type 304 or Type 316L stainless steel
- Minimum-width body flange provides maximum body opening
- External formed 90-degree body flange
- Panel mounting studs fit optional CONCEPT panels and other accessories
- Mounting holes in back of body for direct mounting or for optional external mounting brackets
- Type 304 stainless steel hidden hinges promote clean aesthetic appearance
- Corner formed doors are interchangeable and easily removed by pulling clip-style hinge pins
- Provision on door (except window-door style and when B = 12 in.) for thermoplastic data pocket
- Provision on door (except window-door style and when B = 12 in.) for optional doorstop kit
- Quarter-turn latches furnished with flush slotted insert
- Seamless foam-in-place gasket
- Self-grounding latch system with double seal
- Bonding provision on door; grounding stud on body
- Furnished hardware kit consists of panel-mounting nuts, panel-grounding hardware and sealing washers for wall-mounting holes
- Installation instructions
- Window doors have a clear polycarbonate window

Finish

Door and body have smooth #4 brushed finish.

Accessories

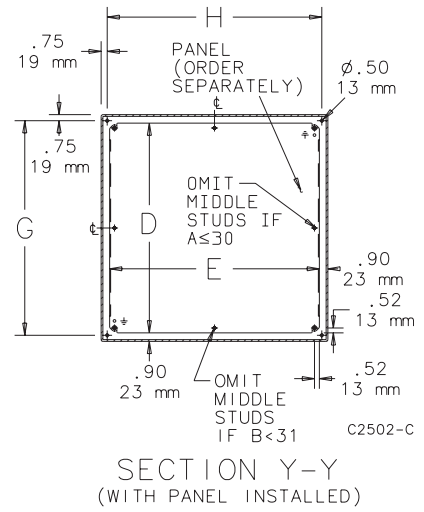
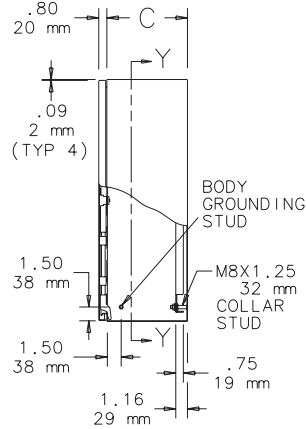
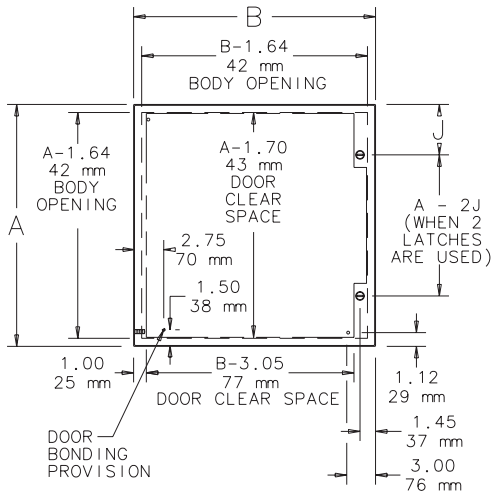
See also Accessories.
 Type 316 Stainless Steel Door Stop Kit
 CONCEPT® Panels
 H2OMIT® Vent Drains, Type 4X
 H2OMIT® Thermoelectric Dehumidifier
 Handles
 Lock Inserts

Modification and Customization

Hoffman excels at modifying and customizing products to your specifications. Contact your local Hoffman sales office or distributor for complete information.

Bulletin: CWS

CONCEPT® Wall-Mount Enclosures



CONCEPT® Wall-Mount Enclosures

 Standard Product **One-Door with Window**

Catalog Number	AxBxC in.	AxBxC mm	Door Ga.	Body Ga.	Panel	Panel Size D x E (in.)	Panel Size D x E (mm)	Mounting G x H (in.)	Mounting G x H (mm)	Window Size M x N (in.)	Window Size M x N (mm)	Latch Qty.	Style	J (in.)	J (mm)
CSD12126WSS	12.00 x 12.00 x 6.00	305 x 305 x 152	16	18	CP1212	10.20 x 10.20	259 x 259	10.50 x 10.50	267 x 267	8.74 x 7.10	222 x 180	1	Quarter-turn	6.00	152
CSD16126WSS	16.00 x 12.00 x 6.00	406 x 305 x 152	16	18	CP1612	14.20 x 10.20	361 x 259	14.50 x 10.50	368 x 267	12.74 x 7.10	324 x 180	1	Quarter-turn	8.00	203
CSD20166WSS	20.00 x 16.00 x 6.00	508 x 406 x 152	16	18	CP2016	18.20 x 14.20	462 x 361	18.50 x 14.50	470 x 368	16.74 x 11.10	425 x 282	1	Quarter-turn	10.00	254
CSD20206WSS	20.00 x 20.00 x 6.00	508 x 508 x 152	16	18	CP2020	18.20 x 18.20	462 x 462	18.50 x 18.50	470 x 470	16.74 x 15.10	425 x 384	1	Quarter-turn	10.00	254
CSD20168WSS	20.00 x 16.00 x 8.00	508 x 406 x 203	16	18	CP2016	18.20 x 14.20	462 x 361	18.50 x 14.50	470 x 368	16.74 x 11.10	425 x 282	1	Quarter-turn	10.00	254
CSD20208WSS	20.00 x 20.00 x 8.00	508 x 508 x 203	16	18	CP2020	18.20 x 18.20	462 x 462	18.50 x 18.50	470 x 470	16.74 x 15.10	425 x 384	1	Quarter-turn	10.00	254
CSD24208WSS	24.00 x 20.00 x 8.00	610 x 508 x 203	16	18	CP2420	22.20 x 18.20	564 x 462	22.50 x 18.50	572 x 470	20.74 x 15.10	527 x 384	1	Quarter-turn	12.00	305
CSD24248WSS	24.00 x 24.00 x 8.00	610 x 610 x 203	14	16	CP2424	22.20 x 22.20	564 x 564	22.50 x 22.50	572 x 572	20.74 x 17.68	527 x 449	2	Quarter-turn	5.00	127
CSD30248WSS	30.00 x 24.00 x 8.00	762 x 610 x 203	14	16	CP3024	28.20 x 22.20	716 x 564	28.50 x 22.50	724 x 572	26.74 x 17.68	679 x 449	2	Quarter-turn	5.00	127
CSD161210WSS	16.00 x 12.00 x 10.00	406 x 305 x 254	16	18	CP1612	14.20 x 10.20	361 x 259	14.50 x 10.50	368 x 267	12.74 x 7.10	324 x 180	1	Quarter-turn	8.00	203
CSD201610WSS	20.00 x 16.00 x 10.00	508 x 406 x 254	16	18	CP2016	18.20 x 14.20	462 x 361	18.50 x 14.50	470 x 368	16.74 x 11.10	425 x 282	1	Quarter-turn	10.00	254
CSD202010WSS	20.00 x 20.00 x 10.00	508 x 508 x 254	16	18	CP2020	18.20 x 18.20	462 x 462	18.50 x 18.50	470 x 470	16.74 x 15.10	425 x 384	1	Quarter-turn	10.00	254
CSD242010WSS	24.00 x 20.00 x 10.00	610 x 508 x 254	16	18	CP2420	22.20 x 18.20	564 x 462	22.50 x 18.50	572 x 470	20.74 x 15.10	527 x 384	1	Quarter-turn	12.00	305
CSD242410WSS	24.00 x 24.00 x 10.00	610 x 610 x 254	14	16	CP2424	22.20 x 22.20	564 x 564	22.50 x 22.50	572 x 572	20.74 x 17.68	527 x 449	2	Quarter-turn	5.00	127
CSD302410WSS	30.00 x 24.00 x 10.00	762 x 610 x 254	14	16	CP3024	28.20 x 22.20	716 x 564	28.50 x 22.50	724 x 572	26.74 x 17.68	679 x 449	2	Quarter-turn	5.00	127
CSD202012WSS	20.00 x 24.00 x 12.00	508 x 508 x 305	14	16	CP2020	18.20 x 18.20	462 x 462	18.50 x 18.50	470 x 470	16.74 x 15.10	425 x 384	1	Quarter-turn	10.00	254
CSD302412WSS	30.00 x 24.00 x 12.00	762 x 610 x 305	14	16	CP3024	28.20 x 22.20	716 x 564	28.50 x 22.50	724 x 572	26.74 x 17.68	679 x 449	2	Quarter-turn	5.00	127

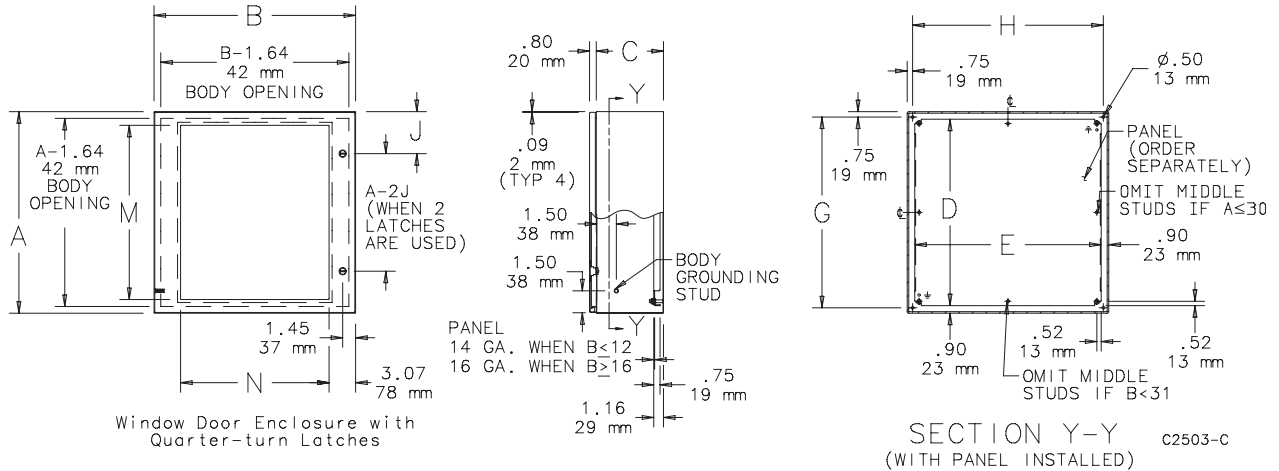
Purchase panels separately.

Optional NEMA style steel and stainless steel panels require conversion kit catalog number CCPM4.

Material is stainless steel Type 304.

For Conductive Panels, add a "G" to the panel catalog number.

CONCEPT Single-Door Wall-Mounted Enclosures with Windows



CONCEPT® Wall-Mount Enclosures**CONCEPT® with Additional Quarter-Turn Latches, Type 4X****Industry Standards**

Mounting brackets required to meet UL/CSA external mounting requirements.

UL 508A Listed; Type 3R, 4, 4X, 12; File No. E61997
 cUL Listed per CSA C22.2 No 94; Type 3R, 4, 4X, 12; File Number E61997

NEMA/EEMAC Type 3R, 4, 4X, 12, 13
 IEC 60529, IP66
 Meets NEMA Type 3RX requirements

Application

For indoor or outdoor applications that require corrosion protection from chemicals and water, CONCEPT® enclosures house larger controls and feature streamlined styling with an attractive stroked finish, flush quarter-turn latches and an integral door ramp that ensures the door gasket sealing surface aligns with the enclosure body for secure closure.

Specifications

- Manufactured from 14 gauge Type 304 or Type 316L stainless steel
- Seams continuously welded and ground smooth
- Minimum-width body flange provides maximum body opening
- Corner formed doors
- External formed 90-degree body flange
- Stainless steel quarter-turn latches with flush slotted insert provided on three sides of enclosure door
- Integral door alignment device to properly align door and gasket to body offset
- Panel mounting studs fit optional CONCEPT panels and other accessories
- Mounting holes in back of body for direct mounting or for optional external mounting brackets
- Stainless steel hidden hinges
- Doors are interchangeable and easily removed by pulling clip-style hinge pins
- Provision on door for thermoplastic data pocket
- Provision on door for optional doorstop kit
- Seamless foam-in-place gasket
- Self-grounding latch system with double seal
- Bonding provision on door; grounding stud on body
- Furnished hardware kit consists of panel mounting nuts, panel grounding hardware and sealing washers for wall-mounting holes
- Installation instructions

Finish

Door and body have smooth #4 brushed finish.

Accessories

See also Accessories.

Industrial Corrosion Inhibitors
 Type 316 Stainless Steel Door Stop Kit
 CONCEPT® Panels
 H2OMIT® Vent Drains, Type 4X
 H2OMIT® Thermoelectric Dehumidifier
 Handles
 Lock Inserts

Modification and Customization

Hoffman excels at modifying and customizing products to your specifications. Contact your local Hoffman sales office or distributor for complete information.

Bulletin: CWS

CONCEPT® Wall-Mount Enclosures

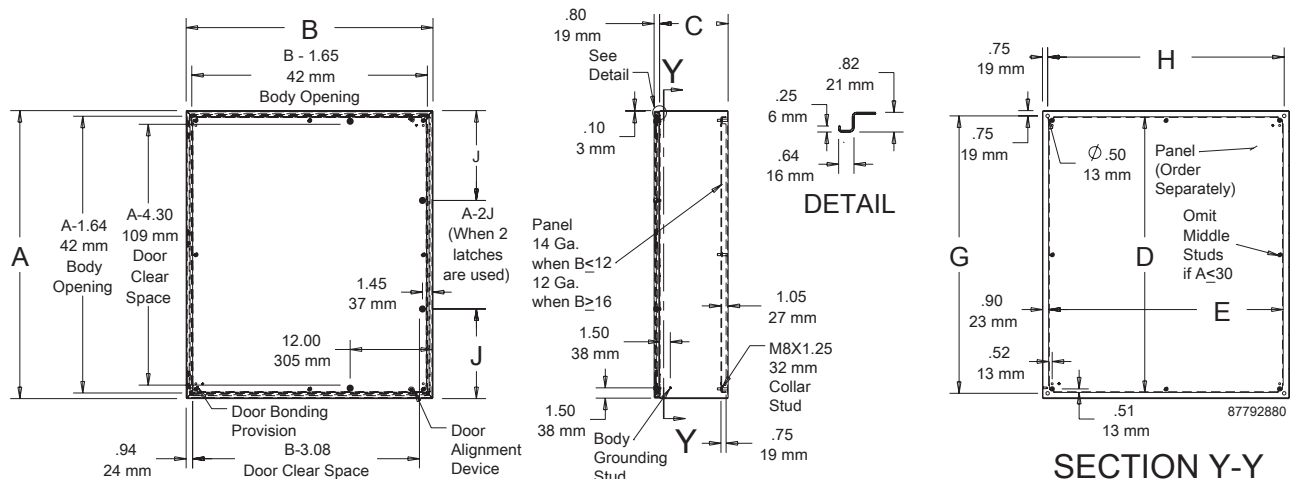
Standard Product

Catalog Number	AxBxC in./mm	Door Gauge	Body Gauge	Panel	Conductive Panel	Panel Size D x E in./mm	Mounting G x H in./mm	Latches Qty.	Style	J in./mm
CSD363610SSR	36.00 x 36.00 x 10.00 914 x 914 x 254	14	14	CP3636	CP3636G	34.20 x 34.20 869 x 869	34.50 x 34.50 876 x 876	4	Quarter-turn	10.00 254
CSD363610SS6R	36.00 x 36.00 x 10.00 914 x 914 x 254	14	14	CP3636	CP3636G	34.20 x 34.20 869 x 869	34.50 x 34.50 876 x 876	4	Quarter-turn	10.00 254
CSD423610SSR	42.00 x 36.00 x 10.00 1067 x 914 x 254	14	14	CP4236	CP4236G	40.20 x 34.20 1021 x 869	40.50 x 34.50 1029 x 876	4	Quarter-turn	13.00 330
CSD423610SS6R	42.00 x 36.00 x 10.00 1067 x 914 x 254	14	14	CP4236	CP4236G	40.20 x 34.20 1021 x 869	40.50 x 34.50 1029 x 876	4	Quarter-turn	13.00 330
CSD483610SSR	48.00 x 36.00 x 10.00 1219 x 914 x 254	14	14	CP4836	CP4836G	46.20 x 34.20 1173 x 869	46.50 x 34.50 1181 x 876	4	Quarter-turn	14.00 356
CSD483610SS6R	48.00 x 36.00 x 10.00 1219 x 914 x 254	14	14	CP4836	CP4836G	46.20 x 34.20 1173 x 869	46.50 x 34.50 1181 x 876	4	Quarter-turn	14.00 356
CSD603610SSR	60.00 x 36.00 x 10.00 1524 x 914 x 254	14	14	CP6036	CP6036G	58.20 x 34.20 1478 x 869	58.50 x 34.50 1486 x 876	4	Quarter-turn	17.00 432
CSD603610SS6R	60.00 x 36.00 x 10.00 1524 x 914 x 254	14	14	CP6036	CP6036G	58.20 x 34.20 1478 x 869	58.50 x 34.50 1486 x 876	4	Quarter-turn	17.00 432
CSD363612SSR	36.00 x 36.00 x 12.00 914 x 914 x 305	14	14	CP3636	CP3636G	34.20 x 34.20 869 x 869	34.50 x 34.50 876 x 876	4	Quarter-turn	10.00 254
CSD363612SS6R	36.00 x 36.00 x 12.00 914 x 914 x 305	14	14	CP3636	CP3636G	34.20 x 34.20 869 x 869	34.50 x 34.50 876 x 876	4	Quarter-turn	10.00 254
CSD423612SSR	42.00 x 36.00 x 12.00 1067 x 914 x 305	14	14	CP4236	CP4236G	40.20 x 34.20 1021 x 869	40.50 x 34.50 1029 x 876	4	Quarter-turn	13.00 330
CSD423612SS6R	42.00 x 36.00 x 12.00 1067 x 914 x 305	14	14	CP4236	CP4236G	40.20 x 34.20 1021 x 869	40.50 x 34.50 1029 x 876	4	Quarter-turn	13.00 330
CSD483612SSR	48.00 x 36.00 x 12.00 1219 x 914 x 305	14	14	CP4836	CP4836G	46.20 x 34.20 1173 x 869	46.50 x 34.50 1181 x 876	4	Quarter-turn	14.00 356
CSD483612SS6R	48.00 x 36.00 x 12.00 1219 x 914 x 305	14	14	CP4836	CP4836G	46.20 x 34.20 1173 x 869	46.50 x 34.50 1181 x 876	4	Quarter-turn	14.00 356
CSD603612SSR	60.00 x 36.00 x 12.00 1524 x 914 x 305	14	14	CP6036	CP6036G	58.20 x 34.20 869 x 462	58.50 x 34.50 1486 x 876	4	Quarter-turn	17.00 402
CSD603612SS6R	60.00 x 36.00 x 12.00 1524 x 914 x 305	14	14	CP6036	CP6036G	58.20 x 34.20 869 x 462	58.50 x 34.50 1486 x 876	4	Quarter-turn	17.00 402
CSD723612SSR	72.00 x 36.00 x 12.00 1829 x 914 x 305	14	14	CP7236	—	70.20 x 34.20 1783 x 462	70.50 x 34.50 1791 x 876	4	Quarter-turn	23.00 584
CSD723616SSR	72.00 x 36.00 x 16.00 1829 x 914 x 406	14	14	CP7236	—	70.20 x 34.20 1783 x 462	70.50 x 34.50 1791 x 876	4	Quarter-turn	23.00 584

Purchase panels separately.

Optional NEMA style steel and stainless steel panels require conversion kit catalog number CCPM-4.

Catalog numbers ending in 6R are Type 316L stainless steel.



CONCEPT® Wall-Mount Enclosures

CONCEPT® EMC, Type 4X



Industry Standards

Mounting brackets required to meet UL/CSA external mounting requirements.

UL 508A Listed; Type 4, 4X, 12; File No. E61997
 cUL Listed per CSA C22.2 No 94; Type 4, 4X, 12; File No. E61997

NEMA/EEMAC Type 4, 4X, 12, 13
 CSA File No. 42186: Type 4, 4X, 12
 VDE IP66
 IEC 60529, IP66

Application

Use stylish CONCEPT® EMC Enclosures with their convenient quarter-turn latches in corrosive indoor or outdoor applications to contain stray electromagnetic interference (EMI) signals produced by internal components and to shield those components from external EMI/RFI interference.

Specifications

- Manufactured from 18, 16 and 14 gauge Type 304 stainless steel
- Seams continuously welded and ground smooth
- Minimum-width body flange provides maximum body opening
- External formed 90-degree body flange
- Panel mounting studs fit optional CONCEPT panels and other accessories
- Mounting holes in back of body for direct mounting or for optional external mounting brackets
- Stainless steel hidden hinges
- Easy-to-remove clip-style hinge pins
- Removable corner formed door
- Seamless foam-in-place gasket adjacent to spring finger EMC gasket
- Quarter-turn latches with flush slotted insert
- Self-grounding latch system with double seal
- Integral body grounding stud
- Furnished hardware kit includes panel mounting nuts, grounding hardware and sealing washers for wall-mounting holes
- Installation instructions

Finish

Cover and body have smooth brushed #4 finish.

Accessories

See also Accessories.

Industrial Corrosion Inhibitors

CONCEPT® Panels

Handles

Lock Inserts

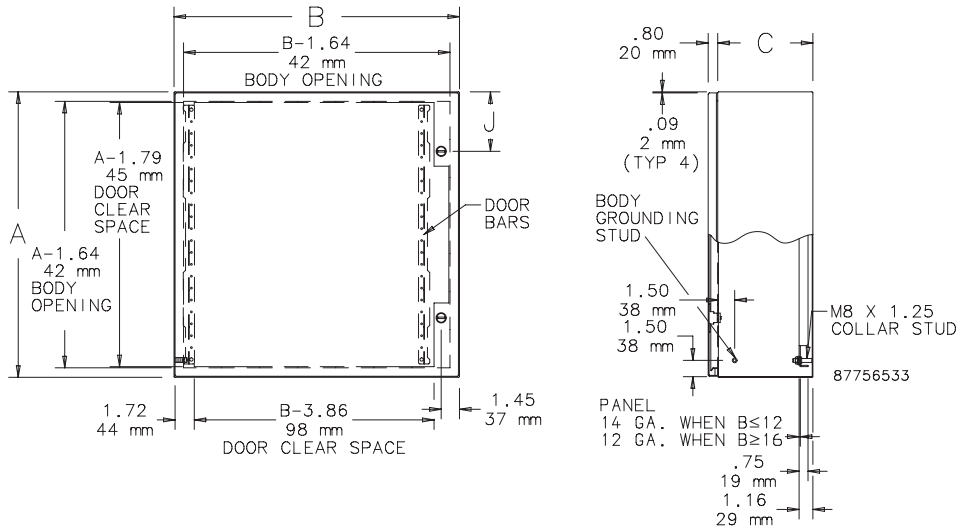
Bulletin: CWSEM

Standard Product

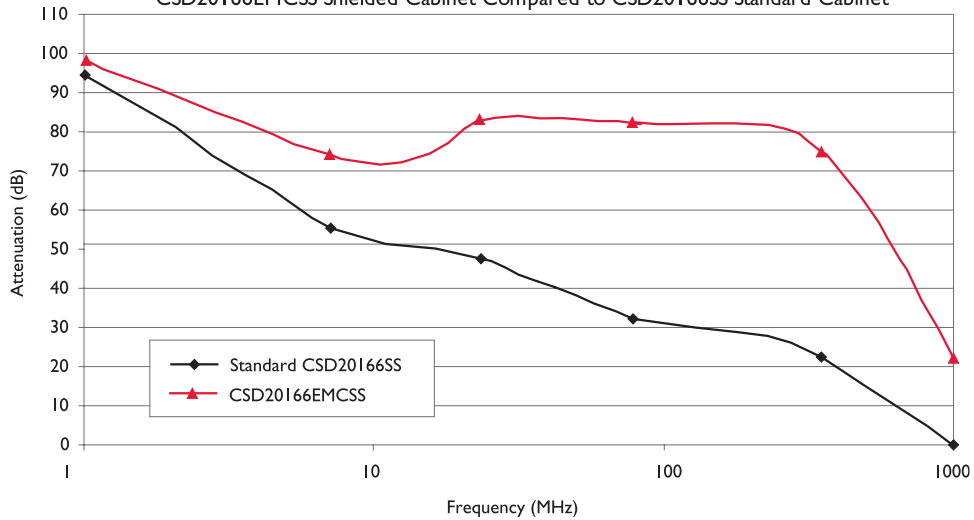
Catalog Number	AxBxC in./mm	Door Gauge	Body Gauge	Panel	Conductive Panel	Panel Size D x E in./mm	Mounting G x H in./mm	Latches Qty.	J in./mm
CSD12126EMCSS	12.00 x 12.00 x 6.00	16	18	CP1212	CP1212G	10.20 x 10.20	10.50 x 10.50	1	6.00
	305 x 305 x 152					259 x 259	267 x 267		
CSD16126EMCSS	16.00 x 12.00 x 6.00	16	18	CP1612	CP1612G	14.20 x 10.20	14.50 x 10.50	1	8.00
	406 x 305 x 152					361 x 259	368 x 267		
CSD16166EMCSS	16.00 x 16.00 x 6.00	16	18	CP1616	CP1616G	14.20 x 14.20	14.50 x 14.50	1	8.00
	406 x 406 x 152					361 x 361	368 x 368		
CSD20166EMCSS	20.00 x 16.00 x 6.00	16	18	CP2016	CP2016G	18.20 x 14.50	18.50 x 14.50	1	10.00
	508 x 406 x 152					462 x 361	470 x 368		
CSD16208EMCSS	16.00 x 20.00 x 8.00	16	18	CP2016	CP2016G	18.20 x 14.20	14.50 x 18.50	1	8.00
	406 x 508 x 203					462 x 361	368 x 470		
CSD24208EMCSS	24.00 x 20.00 x 8.00	16	18	CP2420	CP2420G	22.20 x 18.20	22.50 x 18.50	1	12.00
	610 x 508 x 203					564 x 462	572 x 470		
CSD24248EMCSS	24.00 x 24.00 x 8.00	14	16	CP2424	CP2424G	22.20 x 22.20	22.50 x 22.50	2	5.00
	610 x 610 x 305					564 x 564	572 x 572		
CSD30248EMCSS	30.00 x 24.00 x 8.00	14	16	CP3024	CP3024G	28.20 x 22.20	28.50 x 22.50	2	5.00
	762 x 610 x 203					716 x 564	724 x 572		
CSD36308EMCSS	36.00 x 30.00 x 8.00	14	16	CP3630	CP3630G	34.20 x 28.20	34.50 x 28.50	2	5.00
	914 x 762 x 203					869 x 716	876 x 724		
CSD242412EMCSS	24.00 x 24.00 x 12.00	14	16	CP2424	CP2424G	22.20 x 22.20	22.50 x 22.50	2	5.00
	610 x 610 x 305					564 x 564	572 x 572		
CSD362412EMCSS	36.00 x 24.00 x 12.00	14	16	CP3624	CP3624G	34.20 x 22.20	34.50 x 22.50	2	5.00
	914 x 610 x 305					869 x 564	876 x 572		

Purchase panels separately.

CONCEPT® Wall-Mount Enclosures



CONCEPT® Stainless Steel Cabinet Shielding Effectiveness
 CSD20166EMCSS Shielded Cabinet Compared to CSD20166SS Standard Cabinet



Wall-Mount Enclosures and Accessories

Continuous Hinge with 3-Point Latch, Type 4X



Industry Standards

UL 508A Listed; Type 3R, 4, 4X, 12; File No. E61997
 cUL Listed per CSA C22.2 No 94; Type 3R, 4, 4X, 12; File No. E61997

NEMA/EEMAC Type 3R, 4, 4X, 12, 13
 IEC 60529, IP66
 Meets NEMA Type 3RX requirements

Application

These enclosures feature Hoffman's exclusive POWERGLIDE® Handle with 3-point latching, ideal for indoor or outdoor applications that require corrosion protection, convenient access, and padlocking security.

Standard Product

Catalog Number	AxBxC in./mm	Stainless Steel Type	F in./mm	Steel Panel	Conductive Panel	Stainless Steel Panel	Panel Size D x E in./mm	Data Pocket
A24H2006SSLP3PT	24.00 x 20.00 x 6.00 610 x 508 x 152	304	3.00 76	A24P20	A24P20G	A24P20SS6	21.00 x 17.00 533 x 432	Small
A24H2006SS6LP3PT	24.00 x 20.00 x 6.00 610 x 508 x 152	316L	3.00 76	A24P20	A24P20G	A24P20SS6	21.00 x 17.00 533 x 432	Small
A24H2008SSLP3PT	24.00 x 20.00 x 8.00 610 x 508 x 203	304	3.00 76	A24P20	A24P20G	A24P20SS6	21.00 x 17.00 533 x 432	Small
A24H2008SS6LP3PT	24.00 x 20.00 x 8.00 610 x 508 x 203	316L	3.00 76	A24P20	A24P20G	A24P20SS6	21.00 x 17.00 533 x 432	Small
A24H2408SSLP3PT	24.00 x 24.00 x 8.00 610 x 610 x 203	304	3.00 76	A24P24	A24P24G	A24P24SS6	21.00 x 21.00 533 x 533	Small
A24H2408SS6LP3PT	24.00 x 24.00 x 8.00 610 x 610 x 203	316L	3.00 76	A24P24	A24P24G	A24P24SS6	21.00 x 21.00 533 x 533	Small
A30H2408SSLP3PT	30.00 x 24.00 x 8.00 762 x 610 x 203	304	3.00 76	A30P24	A30P24G	A30P24SS6	27.00 x 21.00 686 x 533	Large
A30H2408SS6LP3PT	30.00 x 24.00 x 8.00 762 x 610 x 203	316L	3.00 76	A30P24	A30P24G	A30P24SS6	27.00 x 21.00 686 x 533	Large
A30H3008SSLP3PT	30.00 x 30.00 x 8.00 762 x 762 x 203	304	3.00 76	A30P30	A30P30G	A30P30SS6	27.00 x 27.00 686 x 686	Large
A30H3008SS6LP3PT	30.00 x 30.00 x 8.00 762 x 762 x 203	316L	3.00 76	A30P30	A30P30G	A30P30SS6	27.00 x 27.00 686 x 686	Large
A36H2408SSLP3PT	36.00 x 24.00 x 8.00 914 x 610 x 203	304	3.00 76	A36P24	A36P24G	A36P24SS6	33.00 x 21.00 838 x 533	Large
A36H2408SS6LP3PT	36.00 x 24.00 x 8.00 914 x 610 x 203	316L	3.00 76	A36P24	A36P24G	A36P24SS6	33.00 x 21.00 838 x 533	Large
A36H3008SSLP3PT	36.00 x 30.00 x 8.00 914 x 762 x 203	304	3.00 76	A36P30	A36P30G	A36P30SS6	33.00 x 27.00 838 x 686	Large
A36H3008SS6LP3PT	36.00 x 30.00 x 8.00 914 x 762 x 203	316L	3.00 76	A36P30	A36P30G	A36P30SS6	33.00 x 27.00 838 x 686	Large
A48H3608SSLP3PT	48.00 x 36.00 x 8.00 1219 x 914 x 203	304	3.00 76	A48P36	A48P36G	A48P36SS6	45.00 x 33.00 1143 x 838	Large
A48H3608SS6LP3PT	48.00 x 36.00 x 8.00 1219 x 914 x 203	316L	3.00 76	A48P36	A48P36G	A48P36SS6	45.00 x 33.00 1143 x 838	Large
A24H2010SSLP3PT	24.00 x 20.00 x 10.00 610 x 508 x 254	304	3.00 76	A24P20	A24P20G	A24P20SS6	21.00 x 17.00 533 x 432	Small

Specifications

- 14 gauge Type 304 or 316L stainless steel bodies and doors
- Seams continuously welded and ground smooth
- Seamless foam-in-place gasket
- Rolled lip around three sides of door
- Internal 3-point latch and Type 316L stainless steel padlocking POWERGLIDE Handle
- Remove door by pulling stainless steel continuous hinge pin
- Data pocket is high-impact thermoplastic
- Collar studs provided for mounting optional panels
- Exterior hardware on Type 316L stainless steel enclosures matches enclosure material
- Bonding provision on door; grounding stud on body

Finish

Door, sides, top and bottom have smooth #4 brushed finish. Handle is electropolished.

Accessories

See also Accessories.
 Panels for Type 3R, 4, 4X, 12 and 13 Enclosures
 Steel and Stainless Steel Window Kits
 H2OMIT® Vent Drains, Type 4X
 H2OMIT® Thermoelectric Dehumidifier

Modification and Customization

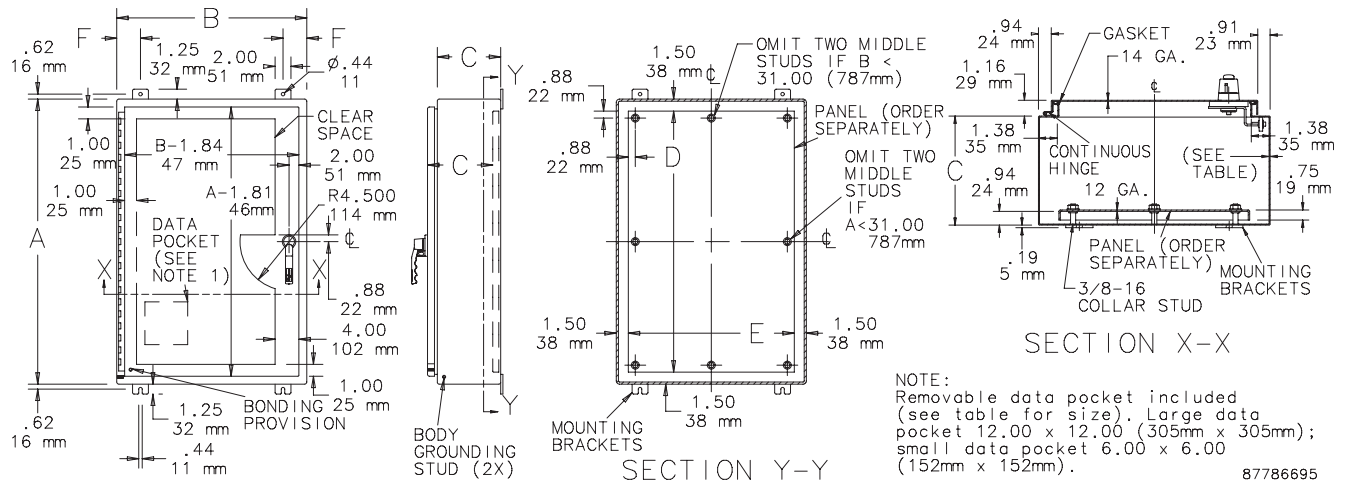
Hoffman excels at modifying and customizing products to your specifications. Contact your local Hoffman sales office or distributor for complete information.

Bulletin: A4SW3

Wall-Mount Enclosures and Accessories

Catalog Number	AxBxC in./mm	Stainless Steel Type	F in./mm	Steel Panel	Conductive Panel	Stainless Steel Panel	Panel Size D x E in./mm	Data Pocket
A24H2010SS6LP3PT	24.00 x 20.00 x 10.00 610 x 508 x 254	316L	3.00 76	A24P20	A24P20G	A24P20SS6	21.00 x 17.00 533 x 432	Small
A36H3010SSLP3PT	36.00 x 30.00 x 10.00 914 x 762 x 254	304	3.00 76	A36P30	A36P30G	A36P30SS6	33.00 x 27.00 838 x 686	Large
A36H3010SS6LP3PT	36.00 x 30.00 x 10.00 914 x 762 x 254	316L	3.00 76	A36P30	A36P30G	A36P30SS6	33.00 x 27.00 838 x 686	Large
A42H3010SSLP3PT	42.00 x 30.00 x 10.00 1067 x 762 x 254	304	3.00 76	A42P30	A42P30G	A42P30SS6	39.00 x 27.00 991 x 686	Large
A48H3610SSLP3PT	48.00 x 36.00 x 10.00 1219 x 914 x 254	304	3.00 76	A48P36	A48P36G	A48P36SS6	45.00 x 33.00 1143 x 838	Large
A48H3610SS6LP3PT	48.00 x 36.00 x 10.00 1219 x 914 x 254	316L	3.00 76	A48P36	A48P36G	A48P36SS6	45.00 x 33.00 1143 x 838	Large
A24H2412SSLP3PT	24.00 x 24.00 x 12.00 610 x 610 x 305	304	3.00 76	A24P24	A24P24G	A24P24SS6	21.00 x 21.00 533 x 533	Small
A24H2412SS6LP3PT	24.00 x 24.00 x 12.00 610 x 610 x 305	316L	3.00 76	A24P24	A24P24G	A24P24SS6	21.00 x 21.00 533 x 533	Small
A30H2412SSLP3PT	30.00 x 24.00 x 12.00 760 x 610 x 305	304	3.00 76	A30P24	A30P24G	A30P24SS6	27.00 x 21.00 686 x 533	Large
A30H2412SS6LP3PT	30.00 x 24.00 x 12.00 762 x 610 x 305	316L	3.00 76	A30P24	A30P24G	A30P24SS6	27.00 x 21.00 686 x 533	Large
A36H3012SSLP3PT	36.00 x 30.00 x 12.00 914 x 762 x 305	304	3.00 76	A36P30	A36P30G	A36P30SS6	33.00 x 27.00 838 x 686	Large
A36H3012SS6LP3PT	36.00 x 30.00 x 12.00 914 x 762 x 305	316L	3.00 76	A36P30	A36P30G	A36P30SS6	33.00 x 27.00 838 x 686	Large
A36H3612SSLP3PT	36.00 x 36.00 x 12.00 914 x 914 x 305	304	3.00 76	A36P36	A36P36G	A36P36SS6	33.00 x 33.00 838 x 838	Large
A36H3612SS6LP3PT	36.00 x 36.00 x 12.00 914 x 914 x 305	316L	3.00 76	A36P36	A36P36G	A36P36SS6	33.00 x 33.00 838 x 838	Large
A42H3612SSLP3PT	42.00 x 36.00 x 12.00 1067 x 914 x 305	304	3.00 76	A42P36	A42P36G	A42P36SS6	39.00 x 33.00 991 x 838	Large
A48H3612SSLP3PT	48.00 x 36.00 x 12.00 1219 x 914 x 305	304	3.00 76	A48P36	A48P36G	A48P36SS6	45.00 x 33.00 1143 x 838	Large
A48H3612SS6LP3PT	48.00 x 36.00 x 12.00 1219 x 914 x 305	316L	3.00 76	A48P36	A48P36G	A48P36SS6	45.00 x 33.00 1143 x 838	Large
A60H3612SSLP3PT	60.00 x 36.00 x 12.00 1524 x 914 x 305	304	3.00 76	A60P36	A60P36G	A60P36SS6	57.00 x 33.00 1448 x 838	Large
A60H3612SS6LP3PT	60.00 x 36.00 x 12.00 1524 x 914 x 305	316L	3.00 76	A60P36	A60P36G	A60P36SS6	57.00 x 33.00 1448 x 838	Large
A48H3616SSLP3PT	48.00 x 36.00 x 16.00 1219 x 914 x 406	304	3.00 76	A48P36	A48P36G	A48P36SS6	45.00 x 33.00 1143 x 838	Large
A48H3616SS6LP3PT	48.00 x 36.00 x 16.00 1219 x 914 x 406	316L	3.00 76	A48P36	A48P36G	A48P36SS6	45.00 x 33.00 1143 x 838	Large
A60H3616SSLP3PT	60.00 x 36.00 x 16.00 1524 x 914 x 406	304	3.00 76	A60P36	A60P36G	A60P36SS6	57.00 x 33.00 1448 x 838	Large
A60H3616SS6LP3PT	60.00 x 36.00 x 16.00 1524 x 914 x 406	316L	3.00 76	A60P36	A60P36G	A60P36SS6	57.00 x 33.00 1448 x 838	Large

Purchase panels separately. Optional stainless steel, composite and aluminum panels are available for most sizes.



87786695

Wall-Mount Enclosures and Accessories

Continuous Hinge with Clamps, Type 4X



Industry Standards

UL 508A Listed; Type 3R, 4, 4X, 12; File No. E61997
 cUL Listed per CSA C22.2 No 94; Type 3R, 4, 4X, 12; File No. E61997

NEMA/EEMAC Type 3, 3R, 4, 4X, 12, 13
 CSA File No. 42186: Type 4, 4X, 12
 IEC 60529, IP66
 Meets NEMA Type 3RX requirements

Application

For use in indoor and outdoor corrosive environments that require a water-tight seal, this enclosure's seamless foam-in-place gasket and screw-down clamps provide a secure seal against contaminants.

Specifications

- 14 gauge Type 304 or Type 316L stainless steel bodies and doors
- Seams continuously welded and ground smooth
- Seamless foam-in-place gasket
- Rolled lip around three sides of door
- Stainless steel door clamp assembly
- Hasp and staple for padlocking
- Door removed by pulling stainless steel continuous hinge pin
- Data pocket is high-impact thermoplastic
- Collar studs provided for mounting optional panels
- Exterior hardware on Type 316L stainless steel enclosures matches enclosure material
- Bonding provision on door; grounding stud on body

Finish

Door, sides, top and bottom have smooth #4 brushed finish.

Accessories

See also Accessories.

- Fast-Operating Clamp Assembly
- Panels for Type 3R, 4, 4X, 12 and 13 Enclosures
- Junction Box and Wall-Mount Enclosure Swing Out Panel Kit
- Steel and Stainless Steel Window Kits
- H2OMIT® Vent Drains, Type 4X
- H2OMIT® Thermoelectric Dehumidifier

Modification and Customization

Hoffman excels at modifying and customizing products to your specifications. Contact your local Hoffman sales office or distributor for complete information.

Bulletin: A4S

Standard Product

Catalog Number	AxBxC in./mm	Stainless Steel Type	Steel Panel	Conductive Steel Panel	Stainless Steel Panel	Panel Size D x E in./mm	F in./mm	Clamps Qty.	Data Pocket
A16H1206SSLP	16.00 x 12.00 x 6.00 406 x 305 x 152	304	A16P12	A16P12G	A16P12SS6	13.00 x 9.00 330 x 229	1.25 32	4	Small
A16H1206SS6LP	16.00 x 12.00 x 6.00 406 x 305 x 152	316L	A16P12	A16P12G	A16P12SS6	13.00 x 9.00 330 x 229	1.25 32	4	Small
A16H1606SSLP	16.00 x 16.00 x 6.00 406 x 406 x 152	304	A16P16	A16P16G	A16P16SS6	13.00 x 13.00 330 x 330	3.00 76	4	Small
A16H1606SS6LP	16.00 x 16.00 x 6.00 406 x 406 x 152	316L	A16P16	A16P16G	A16P16SS6	13.00 x 13.00 330 x 330	3.00 76	4	Small
A16H2006SSLP	16.00 x 20.00 x 6.00 406 x 508 x 152	304	A20P16	A20P16G	A20P16SS6	17.00 x 13.00 432 x 330	3.00 76	4	Small
A16H2006SS6LP	16.00 x 20.00 x 6.00 406 x 508 x 152	316L	A20P16	A20P16G	A20P16SS6	17.00 x 13.00 432 x 330	3.00 76	4	Small
A20H1606SSLP	20.00 x 16.00 x 6.00 508 x 406 x 152	304	A20P16	A20P16G	A20P16SS6	17.00 x 13.00 432 x 330	3.00 76	4	Small
A20H1606SS6LP	20.00 x 16.00 x 6.00 508 x 406 x 152	316L	A20P16	A20P16G	A20P16SS6	17.00 x 13.00 432 x 330	3.00 76	4	Small
A20H2006SSLP	20.00 x 20.00 x 6.00 508 x 508 x 152	304	A20P20	A20P20G	A20P20SS6	17.00 x 17.00 432 x 432	3.00 76	4	Small
A20H2006SS6LP	20.00 x 20.00 x 6.00 508 x 508 x 152	316L	A20P20	A20P20G	A20P20SS6	17.00 x 17.00 432 x 432	3.00 76	4	Small
A24H2006SSLP	24.00 x 20.00 x 6.00 610 x 508 x 152	304	A24P20	A24P20G	A24P20SS6	21.00 x 17.00 533 x 432	3.00 76	5	Small
A24H2006SS6LP	24.00 x 20.00 x 6.00 610 x 508 x 152	316L	A24P20	A24P20G	A24P20SS6	21.00 x 17.00 533 x 432	3.00 76	5	Small
A24H2406SSLP	24.00 x 24.00 x 6.00 610 x 610 x 203	304	A24P24	A24P24G	A24P24SS6	21.00 x 21.00 533 x 533	3.00 76	5	Small
A24H2406SS6LP	24.00 x 24.00 x 6.00 610 x 610 x 152	316L	A24P24	A24P24G	A24P24SS6	21.00 x 21.00 533 x 533	3.00 76	5	Small
A16H1208SSLP	16.00 x 12.00 x 8.00 406 x 305 x 203	304	A16P12	A16P12G	A16P12SS6	13.00 x 9.00 330 x 229	1.25 32	4	Small

Wall-Mount Enclosures and Accessories

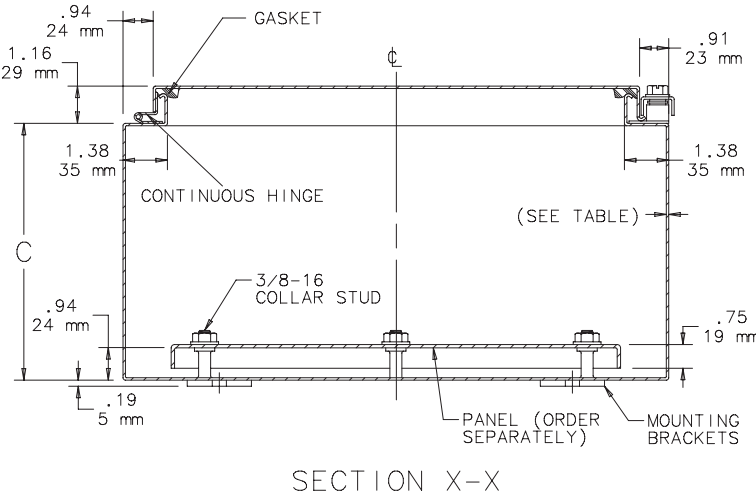
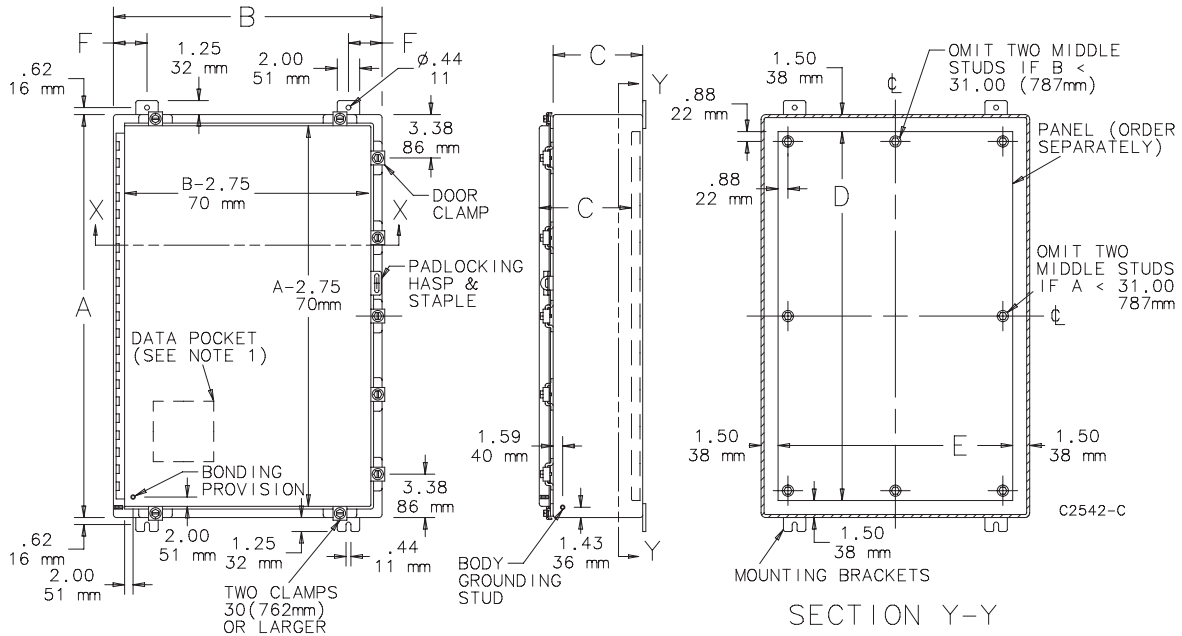
Catalog Number	AxBxC in./mm	Stainless Steel Type		Conductive Steel Panel	Stainless Steel Panel	Panel Size D x E in./mm	F in./mm	Clamps Qty.	Data Pocket
		Steel Type	Steel Panel						
A16H1208SS6LP	16.00 x 12.00 x 8.00 406 x 305 x 203	316L	A16P12	A16P12G	A16P12SS6	13.00 x 9.00 330 x 229	1.25 32	4	Small
A20H1608SSLP	20.00 x 16.00 x 8.00 508 x 406 x 203	304	A20P16	A20P16G	A20P16SS6	17.00 x 13.00 432 x 330	3.00 76	4	Small
A20H1608SS6LP	20.00 x 16.00 x 8.00 508 x 406 x 203	316L	A20P16	A20P16G	A20P16SS6	17.00 x 13.00 432 x 330	3.00 76	4	Small
A20H2008SSLP	20.00 x 20.00 x 8.00 508 x 508 x 203	304	A20P20	A20P20G	A20P20SS6	17.00 x 17.00 432 x 432	3.00 76	4	Small
A20H2008SS6LP	20.00 x 20.00 x 8.00 508 x 508 x 203	316L	A20P20	A20P20G	A20P20SS6	17.00 x 17.00 432 x 432	3.00 76	4	Small
A20H2408SSLP	20.00 x 24.00 x 8.00 508 x 610 x 203	304	A24P20	A24P20G	A24P20SS6	21.00 x 17.00 533 x 432	3.00 76	5	Small
A20H2408SS6LP	20.00 x 24.00 x 8.00 508 x 610 x 203	316L	A24P20	A24P20G	A24P20SS6	21.00 x 17.00 533 x 432	3.00 76	5	Small
A24H1608SSLP	24.00 x 16.00 x 8.00 610 x 406 x 203	304	A24P16	A24P16G	A24P16SS6	21.00 x 13.00 533 x 330	3.00 76	4	Small
A24H1608SS6LP	24.00 x 16.00 x 8.00 610 x 406 x 203	316L	A24P16	A24P16G	A24P16SS6	21.00 x 13.00 533 x 330	3.00 76	4	Small
A24H2008SSLP	24.00 x 20.00 x 8.00 610 x 508 x 203	304	A24P20	A24P20G	A24P20SS6	21.00 x 17.00 533 x 432	3.00 76	5	Small
A24H2008SS6LP	24.00 x 20.00 x 8.00 610 x 508 x 203	316L	A24P20	A24P20G	A24P20SS6	21.00 x 17.00 533 x 432	3.00 76	5	Small
A24H2408SSLP	24.00 x 24.00 x 8.00 610 x 610 x 203	304	A24P24	A24P24G	A24P24SS6	21.00 x 21.00 533 x 533	3.00 76	5	Small
A24H2408SS6LP	24.00 x 24.00 x 8.00 610 x 610 x 203	316L	A24P24	A24P24G	A24P24SS6	21.00 x 21.00 533 x 533	3.00 76	5	Small
A24H3008SSLP	24.00 x 30.00 x 8.00 610 x 762 x 203	304	A30P24	A30P24G	A30P24SS6	27.00 x 21.00 686 x 533	3.00 76	7	Large
A24H3008SS6LP	24.00 x 30.00 x 8.00 610 x 762 x 203	316L	A30P24	A30P24G	A30P24SS6	27.00 x 21.00 686 x 533	3.00 76	7	Large
A30H2008SSLP	30.00 x 20.00 x 8.00 762 x 508 x 203	304	A30P20	A30P20G	A30P20SS6	27.00 x 17.00 686 x 432	3.00 76	5	Small
A30H2008SS6LP	30.00 x 20.00 x 8.00 762 x 508 x 203	316L	A30P20	A30P20G	A30P20SS6	27.00 x 17.00 686 x 432	3.00 76	5	Small
A30H2408SSLP	30.00 x 24.00 x 8.00 762 x 610 x 203	304	A30P24	A30P24G	A30P24SS6	27.00 x 21.00 686 x 533	3.00 76	5	Large
A30H2408SS6LP	30.00 x 24.00 x 8.00 762 x 610 x 203	316L	A30P24	A30P24G	A30P24SS6	27.00 x 21.00 686 x 533	3.00 76	5	Large
A30H3008SSLP	30.00 x 30.00 x 8.00 762 x 762 x 203	304	A30P30	A30P30G	A30P30SS6	27.00 x 27.00 686 x 686	3.00 76	7	Large
A30H3008SS6LP	30.00 x 30.00 x 8.00 762 x 762 x 203	316L	A30P30	A30P30G	A30P30SS6	27.00 x 27.00 686 x 686	3.00 76	7	Large
A36H2408SSLP	36.00 x 24.00 x 8.00 914 x 610 x 203	304	A36P24	A36P24G	A36P24SS6	33.00 x 21.00 838 x 533	3.00 76	5	Large
A36H2408SS6LP	36.00 x 24.00 x 8.00 914 x 610 x 203	316L	A36P24	A36P24G	A36P24SS6	33.00 x 21.00 838 x 533	3.00 76	5	Large
A36H3008SSLP	36.00 x 30.00 x 8.00 914 x 762 x 203	304	A36P30	A36P30G	A36P30SS6	33.00 x 27.00 838 x 686	3.00 76	7	Large
A36H3008SS6LP	36.00 x 30.00 x 8.00 914 x 762 x 203	316L	A36P30	A36P30G	A36P30SS6	33.00 x 27.00 838 x 686	3.00 76	7	Large
A42H3608SSLP	42.00 x 36.00 x 8.00 1067 x 914 x 203	304	A42P36	A42P36G	A42P36SS6	39.00 x 33.00 991 x 838	3.00 76	8	Large
A42H3608SS6LP	42.00 x 36.00 x 8.00 1067 x 914 x 203	316L	A42P36	A42P36G	A42P36SS6	39.00 x 33.00 991 x 838	3.00 76	8	Large
A48H3608SSLP	48.00 x 36.00 x 8.00 1219 x 914 x 203	304	A48P36	A48P36G	A48P36SS6	45.00 x 33.00 1143 x 838	3.00 76	8	Large
A48H3608SS6LP	48.00 x 36.00 x 8.00 1219 x 914 x 203	316L	A48P36	A48P36G	A48P36SS6	45.00 x 33.00 1143 x 838	3.00 76	8	Large
A20H1610SSLP	20.00 x 16.00 x 10.00 508 x 406 x 254	304	A20P16	A20P16G	A20P16SS6	17.00 x 13.00 432 x 330	3.00 76	4	Small
A20H1610SS6LP	20.00 x 16.00 x 10.00 508 x 406 x 254	316L	A20P16	A20P16G	A20P16SS6	17.00 x 13.00 432 x 330	3.00 76	4	Small
A24H2010SSLP	24.00 x 20.00 x 10.00 610 x 508 x 254	304	A24P20	A24P20G	A24P20SS6	21.00 x 17.00 533 x 432	3.00 76	5	Small
A24H2010SS6LP	24.00 x 20.00 x 10.00 610 x 508 x 254	316L	A24P20	A24P20G	A24P20SS6	21.00 x 17.00 533 x 432	3.00 76	5	Small
A30H2410SSLP	30.00 x 24.00 x 10.00 762 x 610 x 254	304	A30P24	A30P24G	A30P24SS6	27.00 x 21.00 686 x 533	3.00 76	5	Large
A30H2410SS6LP	30.00 x 24.00 x 10.00 762 x 610 x 254	316L	A30P24	A30P24G	A30P24SS6	27.00 x 21.00 686 x 533	3.00 76	5	Large
A36H2410SSLP	36.00 x 24.00 x 10.00 914 x 610 x 254	304	A36P24	A36P24G	A36P24SS6	33.00 x 21.00 838 x 533	3.00 76	5	Large
A36H2410SS6LP	36.00 x 24.00 x 10.00 914 x 610 x 254	316L	A36P24	A36P24G	A36P24SS6	33.00 x 21.00 838 x 533	3.00 76	5	Large
A36H3010SSLP	36.00 x 30.00 x 10.00 914 x 762 x 254	304	A36P30	A36P30G	A36P30SS6	33.00 x 27.00 838 x 686	3.00 76	7	Large

Wall-Mount Enclosures and Accessories

Catalog Number	Ax B x C in./mm	Stainless Steel Type	Steel Panel	Conductive Steel Panel	Stainless Steel Panel	Panel Size		Clamps Qty.	Data Pocket
						D x E in./mm	F in./mm		
A36H3010SS6LP	36.00 x 30.00 x 10.00 914 x 762 x 254	316L	A36P30	A36P30G	A36P30SS6	33.00 x 27.00 838 x 686	3.00 76	7	Large
A42H3010SSLP	42.00 x 30.00 x 10.00 1067 x 762 x 254	304	A42P30	A42P30G	A42P30SS6	39.00 x 27.00 991 x 686	3.00 76	8	Large
A42H3010SS6LP	42.00 x 30.00 x 10.00 1067 x 762 x 254	316L	A42P30	A42P30G	A42P30SS6	39.00 x 27.00 991 x 686	3.00 76	8	Large
A48H3610SSLP	48.00 x 36.00 x 10.00 1219 x 914 x 254	304	A48P36	A48P36G	A48P36SS6	45.00 x 33.00 1143 x 838	3.00 76	8	Large
A48H3610SS6LP	48.00 x 36.00 x 10.00 1219 x 914 x 254	316L	A48P36	A48P36G	A48P36SS6	45.00 x 33.00 1143 x 838	3.00 76	8	Large
A24H2412SSLP	24.00 x 24.00 x 12.00 610 x 610 x 305	304	A24P24	A24P24G	A24P24SS6	21.00 x 21.00 533 x 533	3.00 76	5	Small
A24H2412SS6LP	24.00 x 24.00 x 12.00 610 x 610 x 305	316L	A24P24	A24P24G	A24P24SS6	21.00 x 21.00 533 x 533	3.00 76	5	Small
A30H2412SSLP	30.00 x 24.00 x 12.00 762 x 610 x 305	304	A30P24	A30P24G	A30P24SS6	27.00 x 21.00 686 x 533	3.00 76	5	Large
A30H2412SS6LP	30.00 x 24.00 x 12.00 762 x 610 x 305	316L	A30P24	A30P24G	A30P24SS6	27.00 x 21.00 686 x 533	3.00 76	5	Large
A36H3012SSLP	36.00 x 30.00 x 12.00 914 x 762 x 305	304	A36P30	A36P30G	A36P30SS6	33.00 x 27.00 838 x 686	3.00 76	7	Large
A36H3012SS6LP	36.00 x 30.00 x 12.00 914 x 762 x 305	316L	A36P30	A36P30G	A36P30SS6	33.00 x 27.00 838 x 686	3.00 76	7	Large
A36H3612SSLP	36.00 x 36.00 x 12.00 914 x 914 x 305	304	A36P36	A36P36G	A36P36SS6	33.00 x 33.00 838 x 838	3.00 76	7	Large
A36H3612SS6LP	36.00 x 36.00 x 12.00 914 x 914 x 305	316L	A36P36	A36P36G	A36P36SS6	33.00 x 33.00 838 x 838	3.00 76	7	Large
A48H3612SSLP	48.00 x 36.00 x 12.00 1219 x 914 x 305	304	A48P36	A48P36G	A48P36SS6	45.00 x 33.00 1143 x 838	3.00 76	8	Large
A48H3612SS6LP	48.00 x 36.00 x 12.00 1219 x 914 x 305	316L	A48P36	A48P36G	A48P36SS6	45.00 x 33.00 1143 x 838	3.00 76	8	Large
A60H3612SSLP	60.00 x 36.00 x 12.00 1524 x 914 x 305	304	A60P36	A60P36G	A60P36SS6	57.00 x 33.00 1448 x 838	3.00 76	9	Large
A60H3612SS6LP	60.00 x 36.00 x 12.00 1524 x 914 x 305	316L	A60P36	A60P36G	A60P36SS6	57.00 x 33.00 1448 x 838	3.00 76	9	Large
A30H2416SSLP	30.00 x 24.00 x 16.00 762 x 610 x 406	304	A30P24	A30P24G	A30P24SS6	27.00 x 21.00 686 x 533	3.00 76	5	Large
A30H2416SS6LP	30.00 x 24.00 x 16.00 762 x 610 x 406	316L	A30P24	A30P24G	A30P24SS6	27.00 x 21.00 686 x 533	3.00 76	5	Large
A36H3016SSLP	36.00 x 30.00 x 16.00 914 x 762 x 406	304	A36P30	A36P30G	A36P30SS6	33.00 x 27.00 838 x 686	3.00 76	7	Large
A36H3016SS6LP	36.00 x 30.00 x 16.00 914 x 762 x 406	316L	A36P30	A36P30G	A36P30SS6	33.00 x 27.00 838 x 686	3.00 76	7	Large
A48H3616SSLP	48.00 x 36.00 x 16.00 1219 x 914 x 406	304	A48P36	A48P36G	A48P36SS6	45.00 x 33.00 1143 x 838	3.00 76	8	Large
A48H3616SS6LP	48.00 x 36.00 x 16.00 1219 x 914 x 406	316L	A48P36	A48P36G	A48P36SS6	45.00 x 33.00 1143 x 838	3.00 76	8	Large
A60H3616SSLP	60.00 x 36.00 x 16.00 1524 x 914 x 406	304	A60P36	A60P36G	A60P36SS6	57.00 x 33.00 1448 x 838	3.00 76	9	Large
A60H3616SS6LP	60.00 x 36.00 x 16.00 1524 x 914 x 406	316L	A60P36	A60P36G	A60P36SS6	57.00 x 33.00 1448 x 838	3.00 76	9	Large

Purchase panels separately. Optional composite and aluminum panels are available for most sizes.

Wall-Mount Enclosures and Accessories



- NOTE:
1. Removable data pocket included (see table for size). Large data pocket 12.00 x 12.00 (305mm x 305mm); small data pocket 6.00 x 6.00 (152mm x 152mm).
 2. Maximum spacing between door clamps is 15.00 (382mm)

Wall-Mount Enclosures and Accessories

Continuous Hinge with Clamps, EMC, Type 4X



Specifications

- 14 gauge Type 304 stainless steel bodies and doors
- Seams continuously welded and ground smooth
- Seamless foam-in-place gasket adjacent to woven monel EMC mesh gasket
- Rolled lip around three sides of door
- Stainless steel door clamp assemblies
- Hasp and staple for padlocking
- Removable door with continuous hinge
- Data pocket is high impact thermoplastic
- Collar studs provided for mounting optional panels
- Bonding provision on door; grounding stud on body

Finish

Door, sides, top and bottom have a smooth brushed #4 finish.

Accessories

See also *Accessories*.

- Fast-Operating Clamp Assembly
- PANELITE™ Enclosure Lights Overview
- Panels for Type 3R, 4, 4X, 12 and 13 Enclosures
- Rack Mounting Angle Kit - L Style
- Junction Box and Wall-Mount Enclosure Swing Out Panel Kit
- Terminal Block Kit Assembly for Junction Boxes Overview

Bulletin: [A4SEM](#)

Industry Standards

UL 508A Listed; Type 4, 4X, 12; File No. E61997
 cUL Listed per CSA C22.2 No 94; Type 4, 4X, 12; File No. E61997

NEMA/EEMAC Type 3, 4, 4X, 12, 13
 CSA File No. 42186: Type 4, 4X, 12
 IEC 60529, IP66

Application

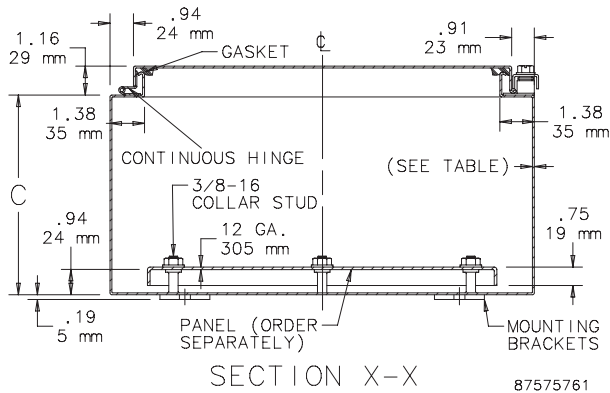
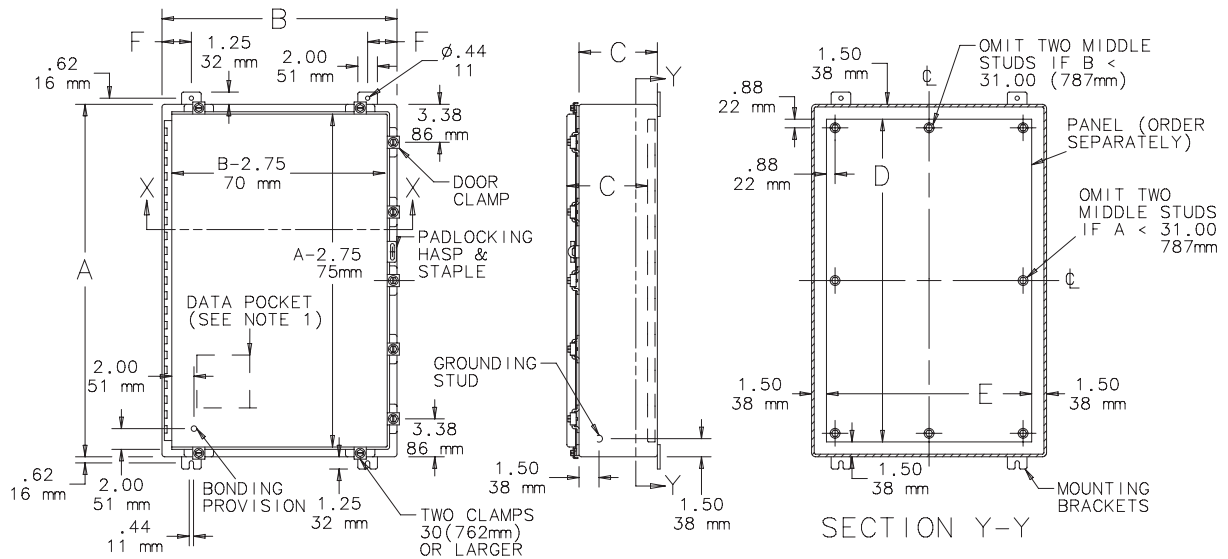
Ideal for indoor or outdoor EMC applications to contain larger controls in corrosive environments. Features a stainless steel, woven-mesh encased gasket to keep out contaminants and provide EMI/RFI shielding to internal components.

Standard Product

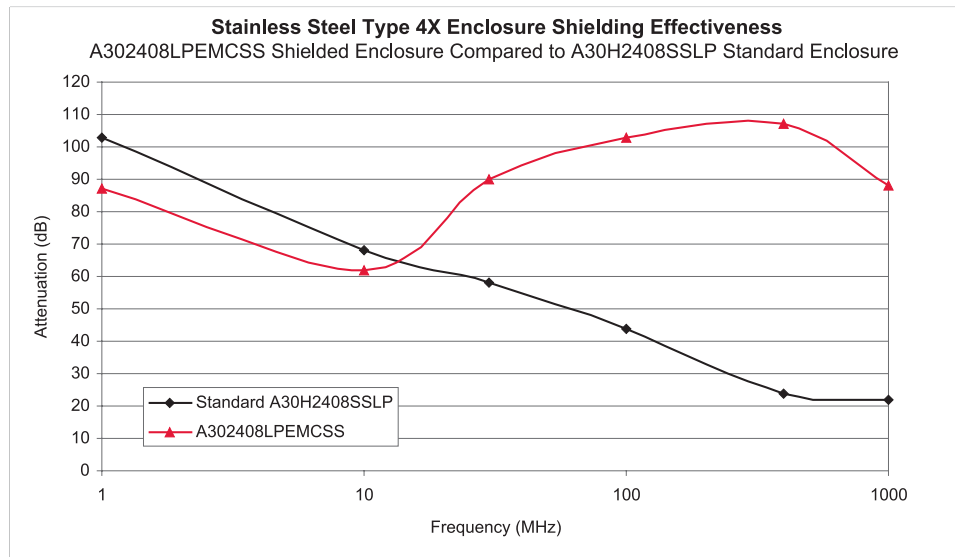
Catalog Number	AxBxC in./mm	Conductive Steel Panel	Panel Size D x E in./mm	F in./mm	Clamps Qty.	Data Pocket
A161206LPEMCSS	16.00 x 12.00 x 6.00 406 x 305 x 152	A16P12G	13.00 x 9.00 330 x 229	1.25 32	4	Small
A201606LPEMCSS	20.00 x 16.00 x 6.00 508 x 406 x 152	A20P16G	17.00 x 13.00 432 x 330	3.00 76	4	Small
A242006LPEMCSS	24.00 x 20.00 x 6.00 610 x 508 x 152	A24P20G	21.00 x 17.00 533 x 432	3.00 76	5	Small
A242408LPEMCSS	24.00 x 24.00 x 8.00 610 x 610 x 203	A24P24G	21.00 x 21.00 533 x 533	3.00 76	5	Small
A302408LPEMCSS	30.00 x 24.00 x 8.00 762 x 610 x 203	A30P24G	27.00 x 21.00 686 x 533	3.00 76	5	Large
A363008LPEMCSS	36.00 x 30.00 x 8.00 914 x 762 x 203	A36P30G	33.00 x 27.00 838 x 686	3.00 76	7	Large
A483608LPEMCSS	48.00 x 36.00 x 8.00 1219 x 914 x 203	A48P36G	45.00 x 33.00 1143 x 838	3.00 76	8	Large
A603612LPEMCSS	60.00 x 36.00 x 12.00 1524 x 914 x 305	A60P36G	57.00 x 33.00 1448 x 838	3.00 76	9	Large

Purchase panels separately. Optional conductive, mild steel, stainless steel, aluminum and composite panels are available for most sizes. See *Accessories*.

Wall-Mount Enclosures and Accessories



87575761



Wall-Mount Enclosures and Accessories

Continuous Hinge Two-Door with 3-Point Latch, Type 4X



Enclosures have a removable centerpost for easy panel installation, 3-point latching with Hoffman's exclusive POWERGLIDE® Handles, and a seamless foam-in-place gasket for sealing protection from contaminants.

Specifications

- Manufactured from 14 gauge Type 304 stainless steel
- Seams continuously welded and ground smooth
- Removable centerpost for easy panel installation
- Flange trough collar around all sides of enclosure door openings
- External mounting brackets
- Heavy-duty 3-point latching mechanism operated by Type 316 stainless steel POWERGLIDE padlocking handles
- Easily removable doors by pulling heavy gauge continuous hinge pin
- Data pocket is high-impact thermoplastic
- Seamless foam-in-place gasket
- Collar studs provided for mounting optional panels
- Bonding provisions on doors; grounding studs on body

Finish

Doors, sides, top and bottom have smooth #4 brushed finish.

Accessories

See also Accessories.

Floor Stand Kit, Stainless Steel
 PANELITE™ Enclosure Lights Overview
 Panels for Type 3R, 4, 4X, 12 and 13 Enclosures
 Steel and Stainless Steel Window Kits
 H2OMIT® Vent Drains, Type 4X
 H2OMIT® Thermoelectric Dehumidifier

Modification and Customization

Hoffman excels at modifying and customizing products to your specifications. Contact your local Hoffman sales office or distributor for complete information.

Bulletin: A4SW

Industry Standards

UL 508A Listed; Type 3R, 4, 4X, 12; File No. E61997
 cUL Listed per CSA C22.2 No 94; Type 3R, 4, 4X, 12; File Number E61997

NEMA Type 3, 3R, 4, 4X, 12, 13
 IEC 60529, IP66
 Meets NEMA Type 3RX requirements

Application

These two-door wall-mount enclosures provide industry-leading protection for components in corrosive or wet environments.

Standard Product

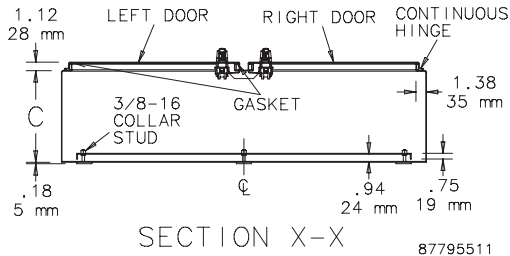
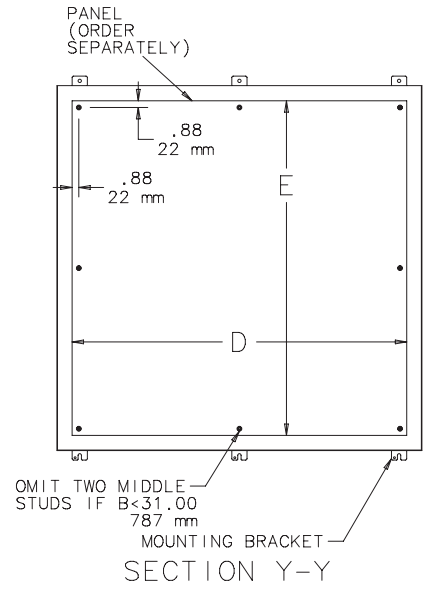
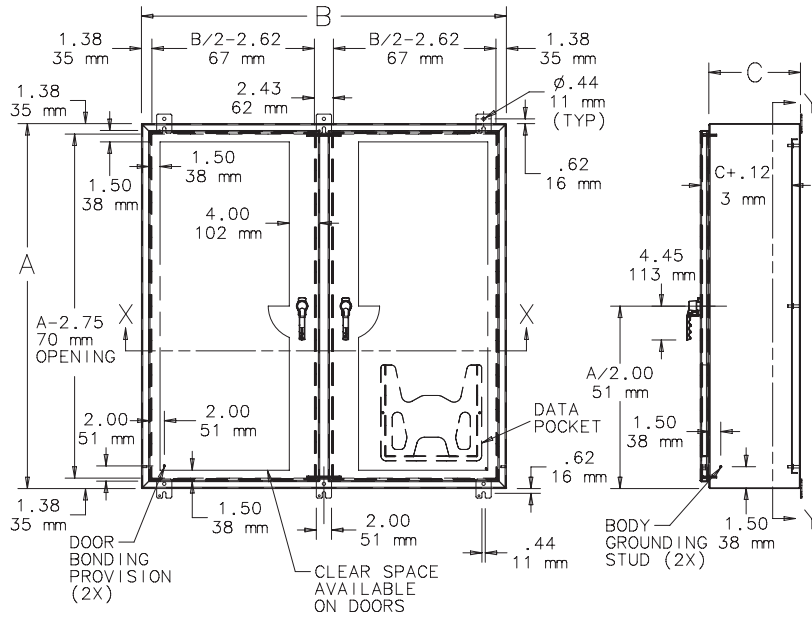
Catalog Number	AxBxC in./mm	Mild Steel Panel	Conductive Panel	Panel Gauge	Panel Size D x E in./mm	Y in./mm
A24H4208WFSSLP3PT	24.00 x 42.00 x 8.00 610 x 1067 x 203	A42P24	A42P24G	12	39.00 x 21.00 991 x 533	1.50 38
A24H4808WFSSLP3PT	24.00 x 48.00 x 8.00 610 x 1219 x 203	A48P24	A48P24G	12	45.00 x 21.00 1143 x 533	1.50 38
A30H4210WFSSLP3PT	30.00 x 42.00 x 10.00 762 x 1067 x 254	A42P30	A42P30G	12	39.00 x 27.00 991 x 686	1.50 38
A30H4810WFSSLP3PT	30.00 x 48.00 x 10.00 762 x 1219 x 254	A48P30	A48P30G	12	45.00 x 27.00 1143 x 686	1.50 38
A30H6010WFSSLP3PT	30.00 x 60.00 x 10.00 762 x 1524 x 254	A60P30	A60P30G	12	57.00 x 27.00 1448 x 686	1.50 38
A36H4212WFSSLP3PT	36.00 x 42.00 x 12.00 914 x 1067 x 305	A42P36	A42P36G	12	39.00 x 33.00 991 x 838	1.50 38
A36H4812WFSSLP3PT	36.00 x 48.00 x 12.00 914 x 1219 x 305	A48P36	A48P36G	12	45.00 x 33.00 1143 x 838	1.50 38
A36H6012WFSSLP3PT	36.00 x 60.00 x 12.00 914 x 1524 x 305	A60P36	A60P36G	12	57.00 x 33.00 1448 x 838	1.50 38
A42H4212WFSSLP3PT	42.00 x 42.00 x 12.00 1067 x 1067 x 305	A42P42	A42P42G	12	39.00 x 39.00 991 x 991	1.50 38
A42H4812WFSSLP3PT	42.00 x 48.00 x 12.00 1067 x 1219 x 305	A48P42	A48P42G	12	45.00 x 39.00 1143 x 991	1.50 38
A42H6012WFSSALP3PT	42.00 x 60.00 x 12.00 1067 x 1524 x 305	A60BP42	A60BFP42G	10	56.00 x 38.00 1422 x 965	2.00 51
A48H4812WFSSLP3PT	48.00 x 48.00 x 12.00 1219 x 1219 x 305	A48P48	A48P48G	10	44.00 x 44.00 1118 x 1118	2.00 51

Purchase panels separately. Optional stainless steel panels are available for most sizes.

Enclosure backs for A42H4212WFSSLP3PT, A42H4812WFSSLP3PT and A42H6012WFSSALP3PT have internal stiffeners.

A48H4812WFSSLP3PT is 14 gauge with a 12 gauge back.

Wall-Mount Enclosures and Accessories



87795511

Wall-Mount Enclosures and Accessories

Continuous Hinge Two-Door with 3-Point Latch, Type 12



Specifications

- 14 gauge Type 304 stainless steel
- Seams continuously welded and ground smooth
- Rolled lip around all sides of enclosure body opening
- Gasketed overlapping doors eliminate need for centerpost
- External mounting brackets
- Plated steel 3-point latching mechanism and keylocking handle
- Easily removable doors by pulling heavy-gauge continuous hinge pin
- Data pocket is high-impact thermoplastic
- Collar studs provided for mounting optional panels
- Bonding provision on doors; grounding studs on body

Finish

Doors, sides, top and bottom have smooth #4 brushed finish.

Accessories

See also *Accessories*.

Floor Stand Kit, Stainless Steel
 PANELITE™ Enclosure Lights Overview
 Panels for Type 3R, 4, 4X, 12 and 13 Enclosures
 Steel and Stainless Steel Window Kits
 H2OMIT® Vent Drains, Type 4X
 H2OMIT® Thermoelectric Dehumidifier

Modification and Customization

Hoffman excels at modifying and customizing products to your specifications. Contact your local Hoffman sales office or distributor for complete information.

Bulletin: A12SW

Industry Standards

UL 508A Listed; Type 12; File No. E61997
 cUL Listed per CSA C22.2 No 94; Type 12; File No. E61997

NEMA/EEMAC Type 12
 CSA File No. 42186: Type 12
 IEC 60529, IP55

Application

For indoor applications requiring stainless steel, enclosure features overlapping doors and a centerpost-free interior for easy panel and component installation. The enclosure is secured by a single key-locking handle and three-point latching.

Standard Product

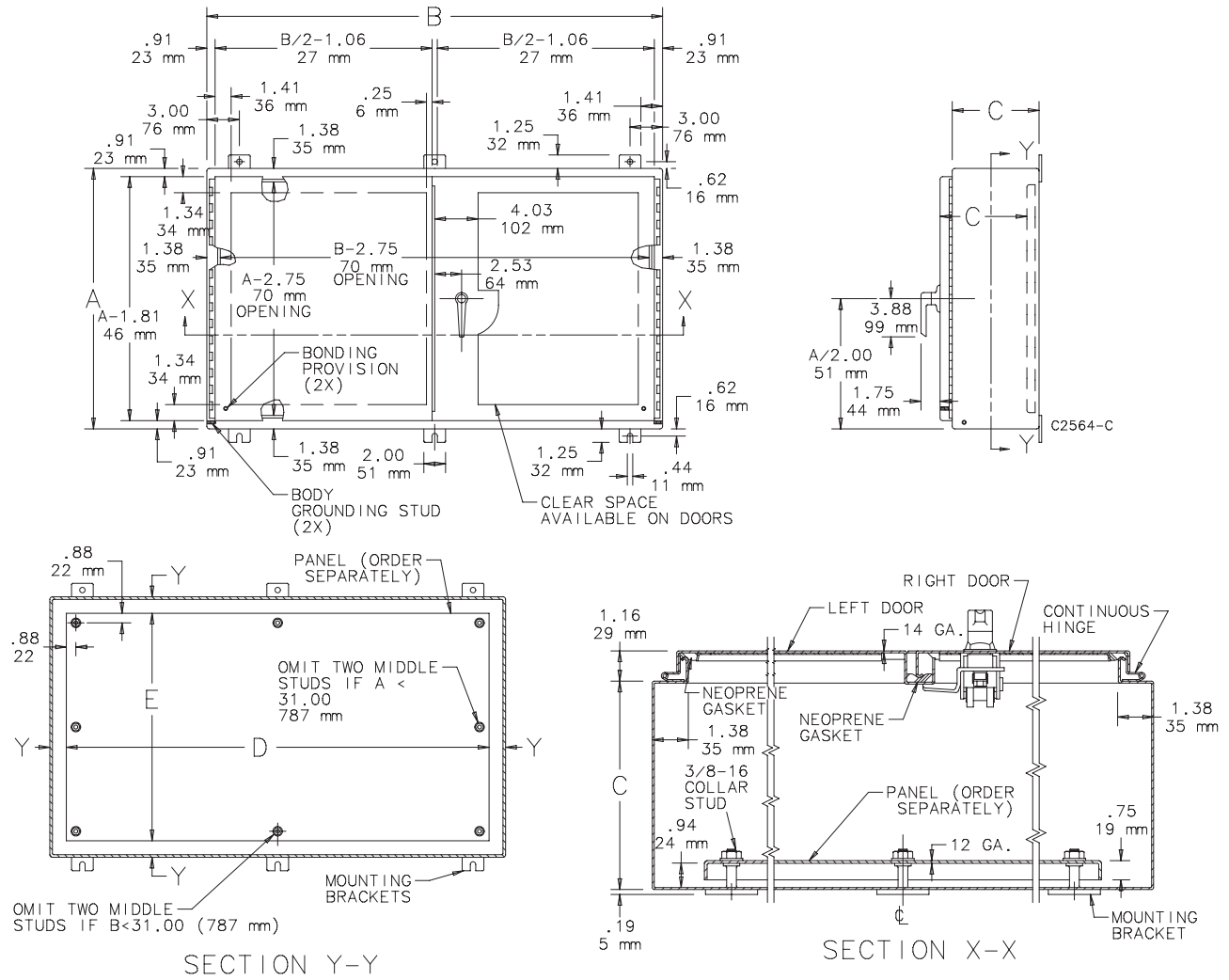
Catalog Number	AxBxC in./mm	Panel	Conductive Panel	Panel Gauge	Panel Size D x E in./mm	Y in./mm
A244208WFSSLP	24.00 x 42.00 x 8.00	A42P24	A42P24G	12	39.00 x 21.00	1.50
	610 x 1067 x 203				991 x 533	38
A244808WFSSLP	24.00 x 48.00 x 8.00	A48P24	A48P24G	12	45.00 x 21.00	1.50
	610 x 1219 x 203				1143 x 533	38
A304210WFSSLP	30.00 x 42.00 x 10.00	A42P30	A42P30G	12	39.00 x 27.00	1.50
	762 x 1067 x 254				991 x 686	38
A304810WFSSLP	30.00 x 48.00 x 10.00	A48P30	A48P30G	12	45.00 x 27.00	1.50
	762 x 1219 x 254				1143 x 686	38
A306010WFSSLP	30.00 x 60.00 x 10.00	A60P30	A60P30G	12	57.00 x 27.00	1.50
	762 x 1524 x 254				1448 x 686	38
A364212WFSSLP	36.00 x 42.00 x 12.00	A42P36	A42P36G	12	39.00 x 33.00	1.50
	914 x 1067 x 305				991 x 838	38
A364812WFSSLP	36.00 x 48.00 x 12.00	A48P36	A48P36G	12	45.00 x 33.00	1.50
	914 x 1219 x 305				1143 x 838	38
A366012WFSSLP	36.00 x 60.00 x 12.00	A60P36	A60P36G	12	57.00 x 33.00	1.50
	914 x 1524 x 305				1448 x 838	38
A424212WFSSLP	42.00 x 42.00 x 12.00	A42P42	A42P42G	12	39.00 x 39.00	1.50
	1067 x 1067 x 305				991 x 991	38
A424812WFSSLP	42.00 x 48.00 x 12.00	A48P42	A48P42G	12	45.00 x 39.00	1.50
	1067 x 1219 x 305				1143 x 991	38
A426012WFSSALP	42.00 x 60.00 x 12.00	A60BFP42	A60BFP42G	10	56.00 x 38.00	2.00
	1067 x 1524 x 305				1422 x 965	51
A484812WFSSLP	48.00 x 48.00 x 12.00	A48P48	A48P48G	10	44.00 x 44.00	2.00
	1219 x 1219 x 305				1118 x 1118	51

Purchase panels separately. Optional stainless steel and aluminum panels are available for most sizes.

A424212WFSSLP, A424812WFSSLP, A426012WFSSALP enclosure backs have internal stiffeners.

A484812WFSSLP back is 12 gauge.

Wall-Mount Enclosures and Accessories



Wall-Mount Enclosures and Accessories

Replacement Door with 3-Point Latch, Type 4X Finish



Door has a smooth #4 brushed finish on the exterior. The Type 316L stainless steel handle is electropolished.

Modification and Customization

Hoffman excels at modifying and customizing products to your specifications. Contact your local Hoffman sales office or distributor for complete information.

Bulletin: A4SW3

Standard Product

Catalog Number	Material	Fits (in.)
Z24208SS3PT	304	A = 24.00, B = 20.00
Z24208SS63PT	316L	A = 24.00, B = 20.00
Z24248SS3PT	304	A = 24.00, B = 24.00
Z24248SS63PT	316L	A = 24.00, B = 24.00
Z30248SS3PT	304	A = 30.00, B = 24.00
Z30248SS63PT	316L	A = 30.00, B = 24.00
Z36248SS3PT	304	A = 36.00, B = 24.00
Z36248SS63PT	316L	A = 36.00, B = 24.00
Z36308SS3PT	304	A = 36.00, B = 30.00
Z36308SS63PT	316L	A = 36.00, B = 30.00
Z36368SS3PT	304	A = 36.00, B = 36.00
Z36368SS63PT	316L	A = 36.00, B = 36.00
Z48368SS3PT	304	A = 48.00, B = 36.00
Z48368SS63PT	316L	A = 48.00, B = 36.00
Z60368SS3PT	304	A = 60.00, B = 36.00
Z60368SS63PT	316L	A = 60.00, B = 36.00

Industry Standards

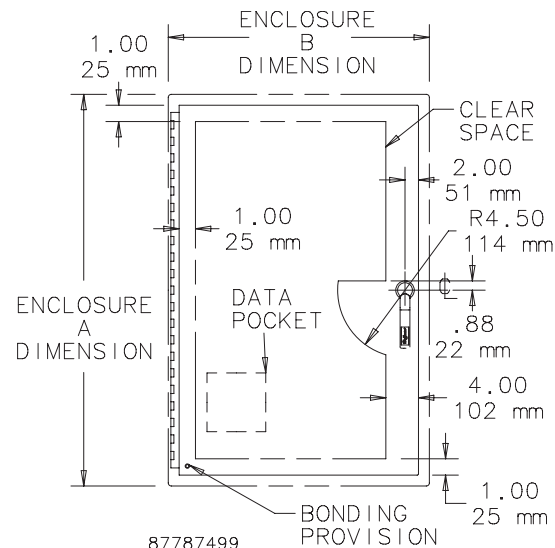
Maintains NEMA Type 4X rating when properly installed on Hoffman SSLP clamp cover or SSLP3PT stainless steel wall-mount enclosures.

Application

Replacement door for SSLP and SSLP3PT style enclosures. Maintains NEMA Type 4X rating and converts clamp covers to a 3-point latch. Replacement door is ideal for corrosive enclosure installations that require frequent access and the security of a POWERGLIDE® padlocking handle.

Specifications

- 14 gauge Type 304 or Type 316L stainless steel material
- Seamless foam-in-place gasket
- Type 316L stainless steel POWERGLIDE handle
- Internal 3-point latching hardware installed
- Data pocket is high-impact thermoplastic
- Hinge halves and stainless steel hinge pin
- Bonding provision

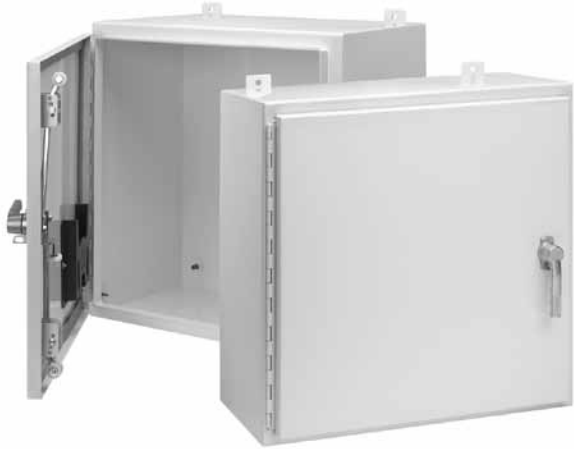


Wall-Mount Enclosures and Accessories

Notes

Wall-Mount Enclosures and Accessories

Painted White with 3-Point Latch, Type 4X



Industry Standards

UL 508A Listed; Type 3R, 4, 4X, 12; File No. E61997
 cUL Listed per CSA C22.2 No 94; Type 3R, 4, 4X, 12; File No. E61997

NEMA/EEMAC Type 3R, 4, 4X, 12, 13
 IEC 60529, IP66
 Meets NEMA Type 3RX requirements

Application

These single-door stainless steel enclosures provide industry-leading protection for housing electrical components and controls in outdoor or corrosive environments. White polyester powder reduces absorption of solar radiation, which keeps internal components cooler. Hoffman's exclusive Type 316L stainless steel small POWERGLIDE® padlocking handle and internal 3-point latching combine ease of access with security.

Specifications

- 14 gauge Type 304 stainless steel bodies and doors
- Seams continuously welded and ground smooth
- Type 4-rated gasket
- 90-degree external formed flange on top of body opening
- Type 316L stainless steel padlocking POWERGLIDE Handle and 3-point latching
- Door removed by pulling stainless steel continuous hinge pin
- Data pocket is high-impact thermoplastic
- Collar studs provided for mounting optional panels

Finish

Enclosures have white polyester powder paint finish inside and out. Handle is electropolished.

Accessories

See also *Accessories*.
 PANELITE™ Enclosure Lights Overview
 Panels for Type 3R, 4, 4X, 12 and 13 Enclosures
 Junction Box and Wall-Mount Enclosure Swing Out Panel Kit
 Steel and Stainless Steel Window Kits
 H2OMIT® Vent Drains, Type 4X
 H2OMIT® Thermoelectric Dehumidifier

Modification and Customization

Hoffman excels at modifying and customizing products to your specifications. Contact your local Hoffman sales office or distributor for complete information.

Bulletin: A4SW3

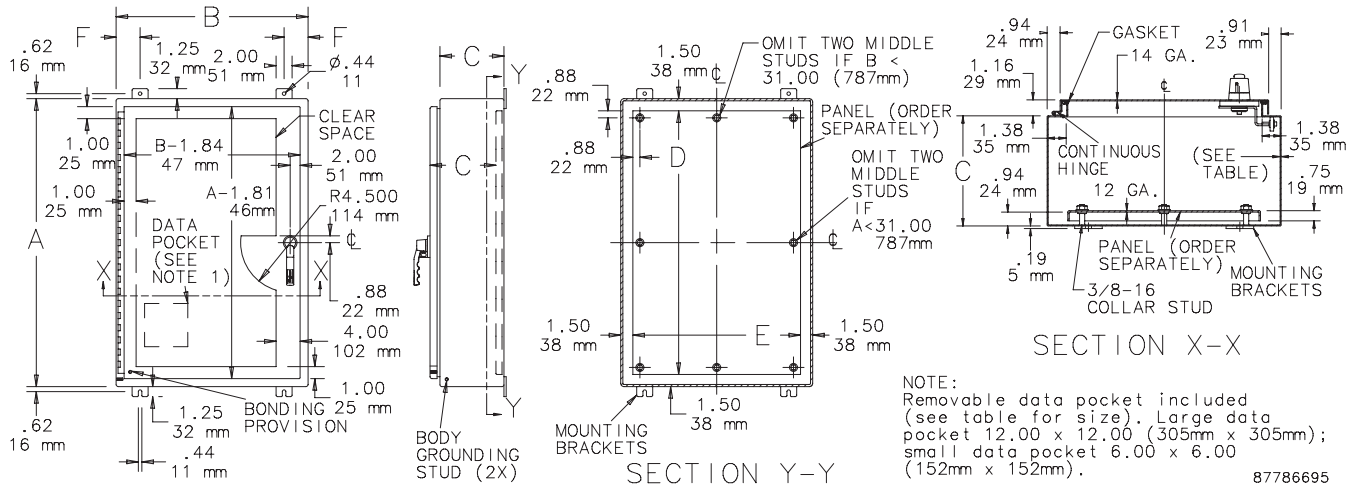
Standard Product

Catalog Number	AxBxC in./mm	F in./mm	Steel Panel	Conductive Panel	Stainless Steel Panel	Panel Size D x E in./mm	Data Pocket
A24H2408SSLP3PTW	24.00 x 24.00 x 8.00	3.00	A24P24	A24P24G	A24P24SS6	21.00 x 21.00	Small
	610 x 610 x 203	76				533 x 533	
A30H2408SSLP3PTW	30.00 x 24.00 x 8.00	3.00	A30P24	A30P24G	A30P24SS6	27.00 x 21.00	Large
	762 x 610 x 203	76				686 x 533	
A24H2010SSLP3PTW	24.00 x 20.00 x 10.00	3.00	A24P20	A24P20G	A24P20SS6	21.00 x 17.00	Small
	610 x 508 x 254	76				533 x 432	
A24H2412SSLP3PTW	24.00 x 24.00 x 12.00	3.00	A24P24	A24P24G	A24P24SS6	21.00 x 21.00	Small
	610 x 610 x 305	76				533 x 533	
A36H3012SSLP3PTW	36.00 x 30.00 x 12.00	3.00	A36P30	A36P30G	A36P30SS6	33.00 x 27.00	Large
	914 x 762 x 305	76				838 x 686	
A36H3612SSLP3PTW	36.00 x 36.00 x 12.00	3.00	A36P36	A36P36G	A36P36SS6	33.00 x 33.00	Large
	914 x 914 x 305	76				838 x 838	
A42H3612SSLP3PTW	42.00 x 36.00 x 12.00	3.00	A42P36	A42P36G	A42P36SS6	39.00 x 33.00	Large
	1067 x 914 x 305	76				911 x 838	
A48H3612SSLP3PTW	48.00 x 36.00 x 12.00	3.00	A48P36	A48P36G	A48P36SS6	45.00 x 33.00	Large
	1219 x 914 x 305	76				1143 x 838	
A60H3612SSLP3PTW	60.00 x 36.00 x 12.00	3.00	A60P36	A60P36G	A60P36SS6	57.00 x 33.00	Large
	1524 x 914 x 305	76				1448 x 838	
A48H3616SSLP3PTW	48.00 x 36.00 x 16.00	3.00	A48P36	A48P36G	A48P36SS6	45.00 x 33.00	Large
	1219 x 914 x 406	76				1143 x 838	

Purchase panels separately. Optional stainless steel, composite and aluminum panels are available for most sizes.

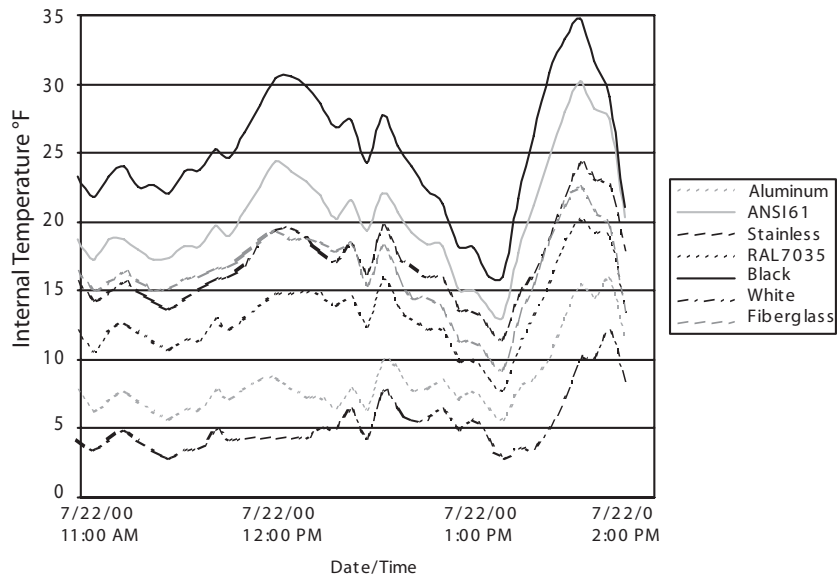
Panels have a formed flange along any side longer than 21.00 in. (533 mm). Panel A24P20 has a flange on all four sides.

Wall-Mount Enclosures and Accessories



Temperature Rise Example

Internal Enclosure Temperature above Outside Ambient



Hoffman WATERSHED®, Type 4X



Industry Standards

Mounting brackets required to meet UL/cUL external mounting requirement.

UL 508A Listed; Type 4, 4X, 12; File Number E61997
 cUL Listed per CSA C22.2 No 94; Type 4, 4X, 12; File Number E61997

NSF 169
 NEMA/EEMAC Type 4, 4X, 12
 IEC 60529, IP66

Application

Specifically designed for use in sanitary washdown production environments, particularly food and beverage manufacturing. Hoffman WATERSHED® Enclosures feature a sloped top, sloped door edges, bullet-style hinges and additional unique features that facilitate washdown runoff.

Specifications

- Manufactured from 14 gauge Type 304 stainless steel
- Seams continuously welded and ground smooth
- Smooth Type 304 stainless steel lift-off bullet-style hinges
- Hinges are shielded by door
- Hinged side of door has provisions to allow direct flushing of hinge area
- 20-degree sloped top facilitates runoff of water and cleaning solutions and prohibits the placement of objects on the top of the enclosure
- 170-degree door opening
- Door edges are sloped 20-degrees at top and bottom edges to facilitate runoff
- Slanted flange trough collar prohibits pooling of fluids along the top edge of the enclosure opening
- Stainless steel quarter-turn latches furnished with flush slotted insert
- Seamless foam-in-place gasket
- Self-grounding latch system with double seal
- Bonding provision on door; grounding stud on body
- Panel studs fit optional NEMA style panels
- Mounting holes in back of body for direct mounting, optional stand-off kit or mounting bracket kit
- Furnished hardware kit consists of panel mounting nuts, grounding hardware and sealing washers for wall-mounting holes

Finish

External surfaces have a #4 brushed finish.

Accessories

See also Accessories.
 Mounting Bracket Kit
 Panels for Type 3R, 4, 4X, 12 and 13 Enclosures
 Stand-Off Kit
 Padlocking Handle Kit
 Padlocking Latch Kit
 H₂OMIT™ Vent Drains, Type 4X
 H₂OMIT™ Thermoelectric Dehumidifier

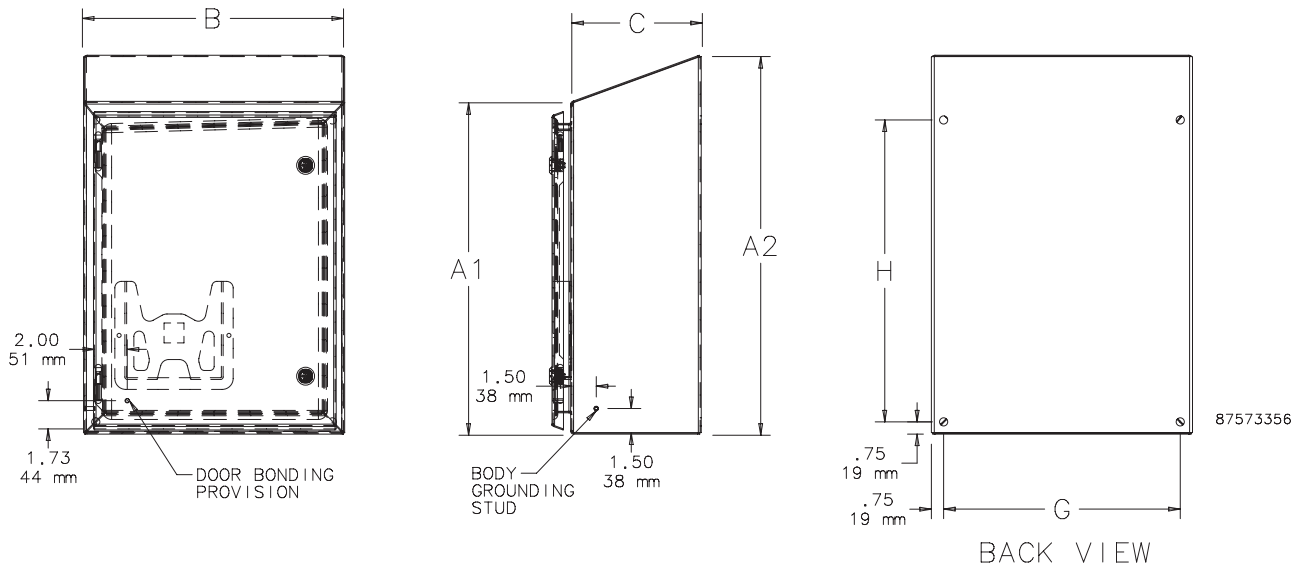
Bulletin: WS1

Standard Product

Catalog Number	AxBxC in./mm	Panel	Conductive Panel	A1 in./mm	A2 in./mm	G in./mm	H in./mm	Latch Qty.
WS161208SS	16.00 x 12.00 x 8.00 406 x 305 x 203	A16P12	A16P12G	16.20 411	19.10 485	10.50 267	14.50 368	2
WS161608SS	16.00 x 16.00 x 8.00 406 x 406 x 203	A16P16	A16P16G	16.30 414	19.20 488	14.50 368	14.50 368	2
WS201608SS	20.00 x 16.00 x 8.00 508 x 406 x 203	A20P16	A20P16G	20.30 516	23.20 589	14.50 368	18.50 470	2
WS202008SS	20.00 x 20.00 x 8.00 508 x 508 x 203	A20P20	A20P20G	20.40 518	23.31 592	18.50 470	18.50 470	2
WS242008SS	24.00 x 20.00 x 8.00 610 x 508 x 203	A24P20	A24P20G	24.40 620	27.31 694	18.50 470	22.50 572	2
WS242408SS	24.00 x 24.00 x 8.00 610 x 610 x 203	A24P24	A24P24G	24.51 623	27.41 696	22.50 572	22.50 572	4
WS302408SS	30.00 x 24.00 x 8.00 762 x 610 x 203	A30P24	A30P24G	30.51 785	33.41 849	22.50 572	28.50 724	4
WS303008SS	30.00 x 30.00 x 8.00 762 x 762 x 203	A30P30	A30P30G	30.67 779	33.57 853	28.50 724	28.50 724	4
WS363008SS	36.00 x 30.00 x 8.00 914 x 762 x 203	A36P30	A36P30G	36.67 931	39.57 1005	28.50 724	34.50 876	5
WS201612SS	20.00 x 16.00 x 12.00 508 x 406 x 305	A20P16	A20P16G	20.30 516	24.66 626	14.50 368	18.50 470	2
WS202012SS	20.00 x 20.00 x 12.00 508 x 508 x 305	A20P20	A20P20G	20.40 518	24.76 629	18.50 470	18.50 470	2
WS242412SS	24.00 x 24.00 x 12.00 610 x 610 x 305	A24P24	A24P24G	24.51 623	28.87 733	22.50 572	22.50 572	4
WS302412SS	30.00 x 24.00 x 12.00 762 x 610 x 305	A30P24	A30P24G	30.51 775	34.87 886	22.50 572	28.50 724	4
WS363012SS	36.00 x 30.00 x 12.00 914 x 762 x 305	A36P30	A36P30G	36.67 931	41.03 1042	28.50 724	34.50 876	5
WS363612SS	36.00 x 36.00 x 12.00 914 x 914 x 305	A36P36	A36P36G	36.82 935	41.18 1046	34.50 876	34.50 876	5
WS363016SS	36.00 x 30.00 x 16.00 914 x 762 x 406	A36P30	A36P30	36.82 935	42.64 1083	28.50 724	34.50 876	5
WS483616SS	48.00 x 36.00 x 16.00 1219 x 914 x 406	A48P36	A48P36G	48.82 1240	54.64 1388	34.50 876	46.50 1181	5
WS603616SS	60.00 x 36.00 x 16.00 1524 x 914 x 406	A60P36	A60P36G	60.82 1545	66.64 1693	34.50 876	58.50 1486	5

Purchase panels separately. Optional stainless steel, conductive or aluminum panels are available.

WS603616SS back is 10 gauge stainless steel.



Mounting Bracket Kit



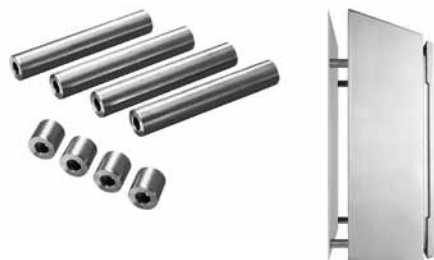
Type 304 stainless steel brackets are field-installable. Brackets maintain Type 4X rating. All hardware is included. Four brackets per kit.

Top brackets must be mounted to the sides of enclosure.

Bulletin: A80

Catalog Number	Description
CMFKSS	Type 304 stainless steel mounting bracket kit

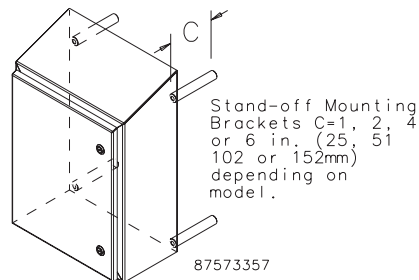
Stand-Off Kit



Stand-offs provide space between wall-mount enclosure and wall for better washdown accessibility. Maintains Type 4X rating. Sealing washers included. Four stand-offs per kit.

Bulletin: WSY

Catalog Number	C (in.)	C (mm)
WSSOK1SS	1.00	25
WSSOK2SS	2.00	51
WSSOK4SS	4.00	102
WSSOK6SS	6.00	152



Padlocking Handle Kit



Type 304 stainless steel padlocking handle for use on Hoffman WATERSHED® Wall-Mount Enclosures. Maintains Type 4X rating.

Bulletin: WSY

Catalog Number	Description
WSHPL	Stainless Steel Padlocking Handle

Padlocking Latch Kit



Type 304 stainless steel padlocking latch for use on Hoffman WATERSHED® Wall-Mount Enclosures. Maintains Type 4X rating.

Bulletin: WSY

Catalog Number	Description
WSLPL	Padlocking Latch Kit



Stainless Steel: Hoffman WATERSHED® Wall-Mount Enclosures and Accessories
Hoffman WATERSHED® Wall-Mount Enclosures and Accessories

Notes

Consoles and Accessories

CONCEPT® Console, Type 4X



Industry Standards

UL 508A Listed; Type 3R, 4, 4X, 12; File No. E61997
 cUL Listed per CSA C22.2 No 94; Type 3R, 4, 4X, 12; File No. E61997

NEMA Type 3R, 4, 4X, 12, 13
 CSA File No. 42186: Type 4, 4X, 12
 Meets NEMA Type 3RX requirements

Application

Sloped CONCEPT® Consoles provide a convenient surface for mounting and monitoring components. Ergonomically designed so users can sit or stand while working, consoles feature a large internal capacity for mounting components and controls.

Specifications

- 14 gauge Type 304 stainless steel
- Ergonomically designed for sitting or standing operation
- Solid bottom
- Corner-formed doors
- External-formed 90-degree body flange
- 20-degree sloped-top cover for 38.00-in. (965-mm) tall console or 30-degree top cover for 48.00-in. (1219-mm) console
- Quarter-turn stainless steel latches hold top cover securely closed
- Door props hold top cover open at 90-degrees
- Integral water-shedding trough
- Collar studs for optional back panel
- Optional side panels (mounted to collar studs) expand equipment mounting space
- Tool-to-open 3-point latch on front access door; door is removable and reversible; 170-degree full-access opening
- Seamless foam-in-place gasket
- Bonding provision on door; grounding stud on body
- Provision for data pocket on lower front door
- Easy-to-remove clip-style hinge pins

Finish

Doors and body have smooth #4 brushed finish.

Accessories

See also Accessories.

Caster Kit
 Side Panels

Modification and Customization

Hoffman excels at modifying and customizing products to your specifications. Contact your local Hoffman sales office or distributor for complete information.

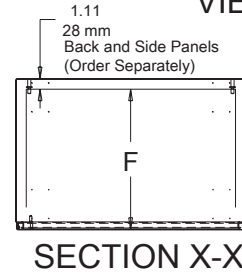
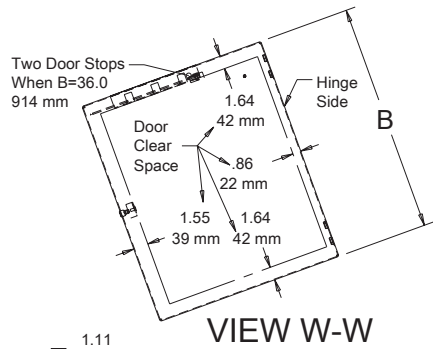
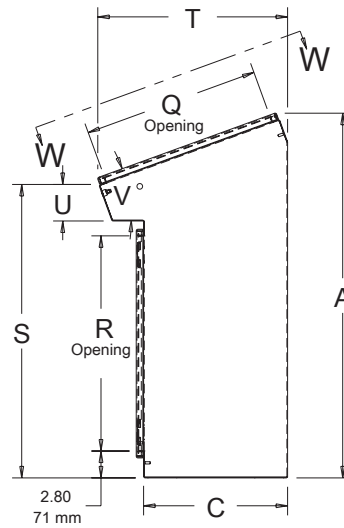
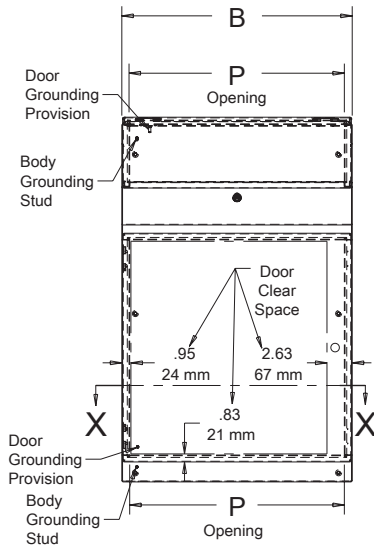
Bulletin: C1S

Standard Product

Catalog Number	Ax B x C in./mm	Back Panel	Conductive Panel	Back Panel											Data Pocket
				Height x Width in./mm	F in./mm	P in./mm	Q in./mm	R in./mm	S in./mm	T in./mm	U in./mm	V	W in./mm		
CFC382416SS	38.00 x 24.00 x 15.00	CP3624	CP3624G	34.20 x 22.20	14.57	22.40	18.40	22.37	30.44	19.82	3.79	20°	20.00	Small	
	965 x 610 x 381			869 x 564	370	569	467	568	773	503	96	508			
CFC383616SS	38.00 x 36.00 x 15.00	CP3636	CP3636G	34.20 x 34.20	14.57	34.40	18.40	22.37	30.44	19.82	3.79	20°	20.00	Large	
	965 x 914 x 381			869 x 869	370	874	467	568	773	503	96	508			
CFC482423SS	48.00 x 24.00 x 18.00	CP2442	CP2442G	40.20 x 22.20	17.57	22.40	23.36	28.35	35.35	23.84	2.54	30°	24.00	Large	
	1219 x 610 x 457			1021 x 564	446	569	593	720	898	606	64	610			
CFC483623SS	48.00 x 36.00 x 18.00	CP4236	CP4236G	40.20 x 34.20	17.57	34.40	23.36	28.35	35.35	23.84	2.54	30°	24.00	Large	
	1219 x 914 x 457			1021 x 869	446	874	593	720	898	606	64	610			

Order Back Panel and Data Pocket separately.

Consoles and Accessories



87794929

Caster Kit



Order two swivel caster kits or one swivel caster kit plus one stationary caster kit.
 Height = 3.72 in. (94 mm)
 Wheel diameter = 3.00 in. (76 mm)
 Load rating each = 210 lb. (95 kg)

Bulletin: C1

Catalog Number	Description
AC4M6ST	Caster kit, stationary (2 casters per kit)
AC4M6SV	Caster kit, swivel (2 casters per kit)
CCPK18	Caster plate kit, 18 in., (2 plates per kit)

Order two swivel caster kits or one swivel caster kit plus one stationary caster kit.

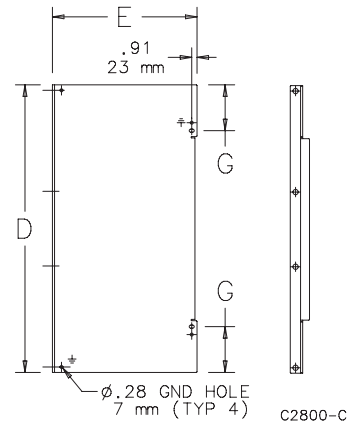
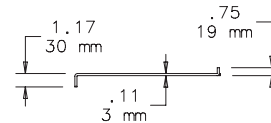
Side Panels



One panel per kit. Two kits required if a panel is needed on each side.

Bulletin: C1

Catalog Number	D in./mm	E in./mm	G in./mm
CPC3816	27.15 690	13.65 347	4.33 110
CPC4823	31.57 802	16.65 423	3.54 40



Floor-Mount and Free-Stand Enclosures

Two-Door with 3-Point Latches, Type 4X



Industry Standards

UL 508A Listed; Type 3R, 4, 4X, 12; File No. E61997
 cUL Listed per CSA C22.2 No 94; Type 3R, 4, 4X, 12; File No. E61997

NEMA Type 3, 3R, 4, 4X, 12, 13
 IEC 60529, IP66
 Meets NEMA Type 3RX requirements

Application

These two-door enclosures provide industry-leading protection for large components or complex mounting configurations in highly-corrosive environments. Three-point latching with the Hoffman POWERGLIDE® padlocking handles and a foam-in-place gasket combine convenience with security. They are well-suited for use in petrochemical plants; pulp and paper processing; water treatment facilities; and food, pharmaceutical and packaging applications.

Specifications

- Manufactured from 12 gauge Type 304 or 316L stainless steel
- Backs are 10 or 12 gauge stainless steel with x-form stiffeners
- Seams continuously welded and ground smooth; no holes or knockouts
- Removable centerpost for easy panel installation
- Collar studs provided for mounting optional panels
- Panel supports included
- Heavy-duty lifting eyes are Type 316L stainless steel
- Heavy-duty 3-point latching mechanism operated by Type 316L stainless steel POWERGLIDE padlocking handles
- Body flange trough collar excludes liquids and contaminants
- Heavy-duty stainless steel continuous hinges support each door
- Bonding provision on doors; grounding studs on body
- Accessory mounting channel provided in enclosure top
- Data pocket is high-impact thermoplastic
- 12-in. (305-mm) removable floor stands are bolted to enclosure
- Seamless foam-in-place one-piece gasket provides oil-tight and dust-tight seal against contaminants
- External hardware manufactured of Type 316 stainless steel

Finish

Enclosures are unpainted. Front, sides, top and back have smooth #4 brushed finish. Optional mild steel panels are painted white. Optional conductive panels are available.

Accessories

See also *Accessories*.
 Industrial Corrosion Inhibitors
 Electric Heater
 Electrical Interlocks
 PANELITE™ Enclosure Lights Overview
 Panel Support Kit

Modification and Customization

Hoffman excels at modifying and customizing products to your specifications. Contact your local Hoffman sales office or distributor for complete information.

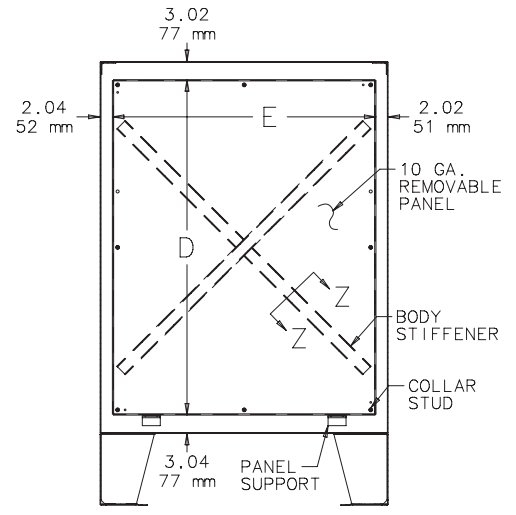
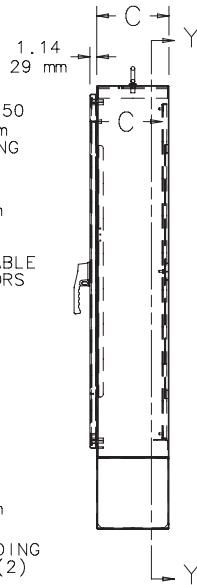
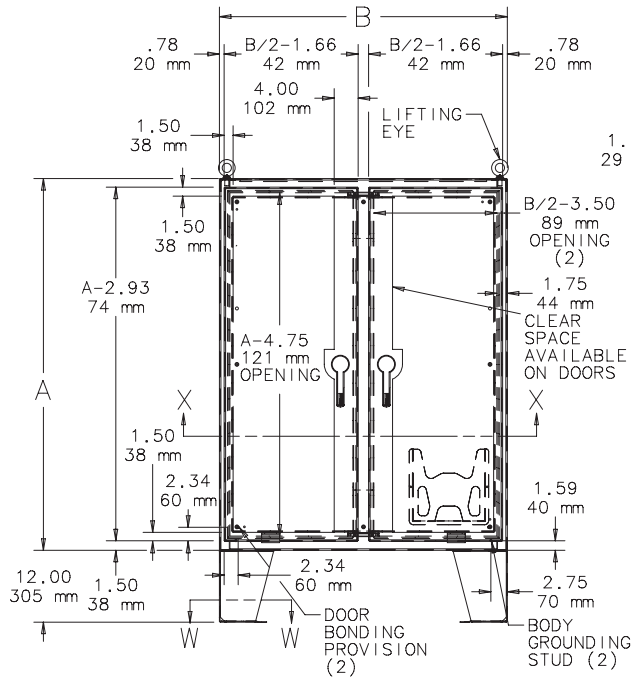
Bulletin: A453

Standard Product

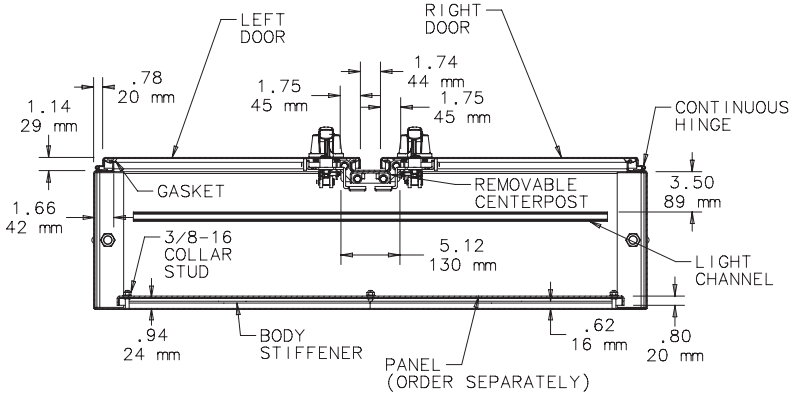
Catalog Number	AxBxC in./mm	Stainless Steel Type	Panel	Conductive Panel	Panel Size D x E in./mm
A62H4812SSLP3PT	62.06 x 48.06 x 12.06 1576 x 1221 x 306	304	A60P48	A60P48G	56.00 x 44.00 1422 x 1118
A62H4812SS6LP3PT	62.06 x 48.06 x 12.06 1576 x 1221 x 306	316L	A60P48	A60P48G	56.00 x 44.00 1422 x 1118
A62H6012SSLP3PT	62.06 x 60.06 x 12.06 1576 x 1526 x 306	304	A60P60	A60P60G	56.00 x 56.00 1422 x 1422
A62H6012SS6LP3PT	62.06 x 60.06 x 12.06 1576 x 1526 x 306	316L	A60P60	A60P60G	56.00 x 56.00 1422 x 1422
A74H6012SSLP3PT	74.06 x 60.06 x 12.06 1881 x 1526 x 306	304	A72P60	A72P60G	68.00 x 56.00 1727 x 1422
A74H6012SS6LP3PT	74.06 x 60.06 x 12.06 1881 x 1526 x 306	316L	A72P60	A72P60G	68.00 x 56.00 1727 x 1422
A74H7212SSLP3PT	74.06 x 72.06 x 12.06 1881 x 1830 x 306	304	A72P72	A72P72G	68.00 x 68.00 1727 x 1727
A74H7212SS6LP3PT	74.06 x 72.06 x 12.06 1881 x 1830 x 306	316L	A72P72	A72P72G	68.00 x 68.00 1727 x 1727
A62H4818SSLP3PT	62.06 x 48.06 x 18.06 1576 x 1221 x 459	304	A60P48	A60P48G	56.00 x 44.00 1422 x 1118
A62H4818SS6LP3PT	62.06 x 48.06 x 18.06 1576 x 1221 x 459	316L	A60P48	A60P48G	56.00 x 44.00 1422 x 1118
A74H7224SSLP3PT	74.06 x 72.06 x 24.06 1881 x 1830 x 611	304	A72P720	A72P72G	68.00 x 68.00 1727 x 1727
A74H7224SS6LP3PT	74.06 x 72.06 x 24.06 1881 x 1830 x 611	316L	A72P72	A72P72G	68.00 x 68.00 1727 x 1727

Purchase panels separately.

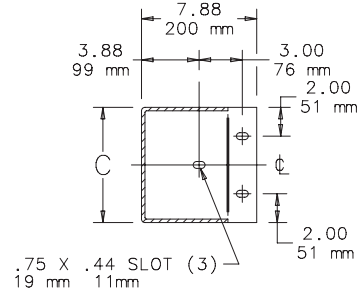
Floor-Mount and Free-Stand Enclosures



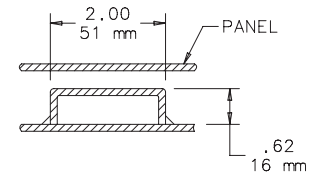
SECTION Y-Y



SECTION X-X



SECTION W-W



SECTION Z-Z

87784698

Floor-Mount and Free-Stand Enclosures

Two-Door with Floor-Stands, Type 4X



Industry Standards

UL 508A Listed; Type 3R, 4, 4X, 12; File No. E61997
 cUL Listed per CSA C22.2 No 94; Type 3R, 4, 4X, 12; File No. E61997

NEMA Type 3, 3R, 4, 4X, 12, 13
 CSA File No. 42186: Type 4, 4X, 12
 IEC 60529, IP66
 Meets NEMA Type 3RX requirements

Application

This two-door enclosure provides industry-leading protection for systems incorporating large components or complex mounting configurations in highly corrosive environments. It is typically used in food processing plants, pharmaceutical manufacturing facilities, petrochemical plants, pulp and paper processing and water treatment facilities.

Specifications

- 12 gauge Type 304 or 316L stainless steel
- Seams continuously welded and ground smooth; no holes or knockouts
- Backs are 10 or 12 gauge stainless steel with x-form stiffeners
- Removable centerpost for easy panel installation
- Panel supports
- Heavy-duty lifting eyes are Type 316 stainless steel
- Stainless steel screws and clamps on three sides of each door assure water-tight seal
- Rolled lip around three sides of door and along top of enclosure opening excludes liquids and contaminants
- Heavy-gauge stainless steel continuous hinge
- Data pocket is high-impact thermoplastic
- 12-in. (305-mm) floor stands are welded to enclosure
- Hasp and staple for padlocking
- Seamless foam-in-place gasket provides oil-tight and dust-tight seal against contaminants
- Collar studs provided for mounting optional panels
- External hardware manufactured of Type 316 stainless steel
- Bonding provision on doors; grounding studs on body
- Accessory mounting channel provided in enclosure top
- Type 316L stainless steel lifting eyes

Finish

Enclosures are unpainted. Front, sides, top and back have smooth #4 brushed finish. Optional mild steel panels are painted white. Optional conductive panels are available.

Accessories

See also *Accessories*.
 Electric Heater
 PANELITE™ Enclosure Lights Overview
 Panel Support Kit
 Steel and Stainless Steel Window Kits

Modification and Customization

Hoffman excels at modifying and customizing products to your specifications. Contact your local Hoffman sales office or distributor for complete information.

Bulletin: A4SL

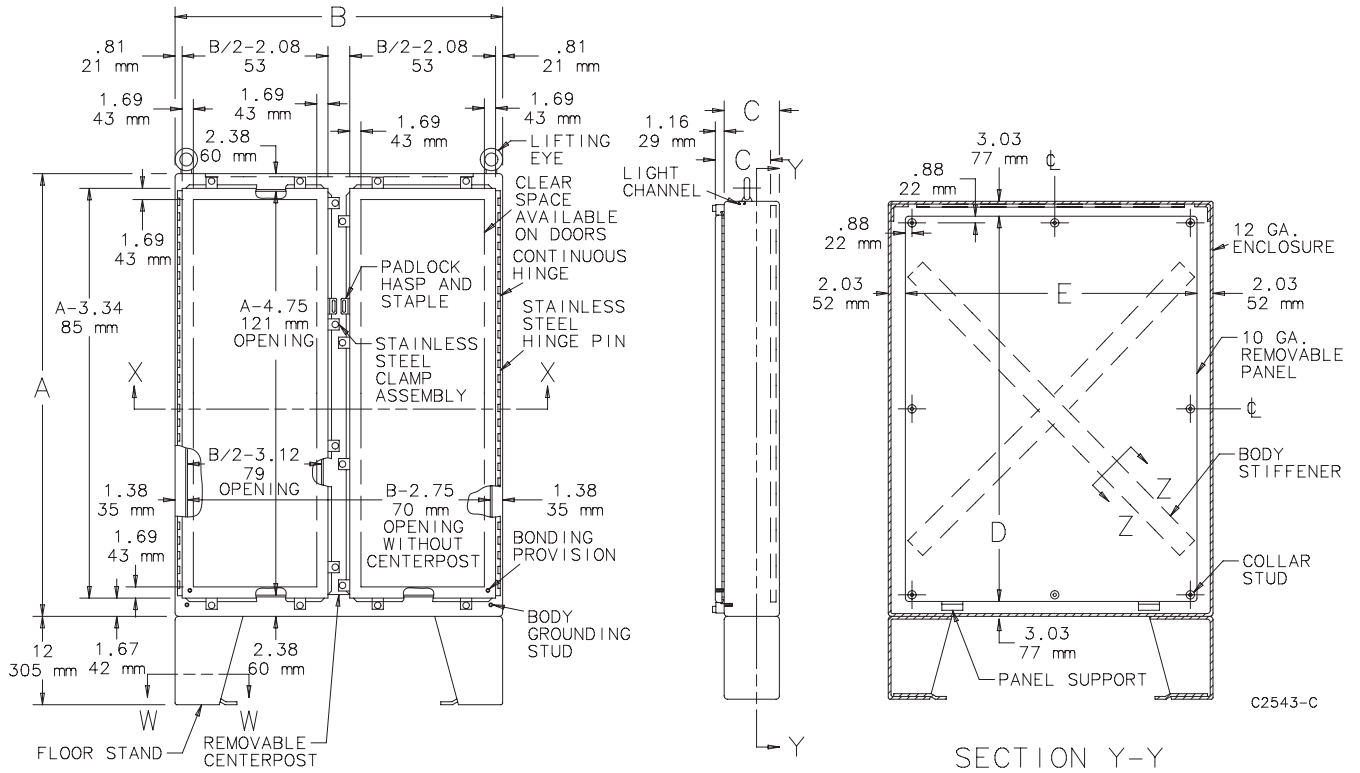
Standard Product

Catalog Number	AxBxC in./mm	Stainless Steel Type	Panel	Conductive Panel	Panel Size D x E in./mm	Number of Clamps
A62H4812SSLP	62.06 x 48.06 x 12.06	304	A60P48	A60P48G	56.00 x 44.00	16
	1576 x 1221 x 306				1422 x 1118	
A62H4812SS6LP	62.06 x 48.06 x 12.06	316L	A60P48	A60P48G	56.00 x 44.00	16
	1576 x 1221 x 306				1422 x 1118	
A62H6012SSLP	62.06 x 60.06 x 12.06	304	A60P60	A60P60G	56.00 x 56.00	16
	1576 x 1526 x 306				1422 x 1422	
A62H6012SS6LP	62.06 x 60.06 x 12.06	316L	A60P60	A60P60G	56.00 x 56.00	16
	1576 x 1526 x 306				1422 x 1422	
A74H6012SSLP	74.06 x 60.06 x 12.06	304	A72P60	A72P60G	68.00 x 56.00	18
	1881 x 1526 x 306				1727 x 1422	
A74H6012SS6LP	74.06 x 60.06 x 12.06	316L	A72P60	A72P60G	68.00 x 56.00	18
	1881 x 1526 x 306				1727 x 1422	
A74H7212SSLP	74.06 x 72.06 x 12.06	304	A72P72	A72P72G	68.00 x 68.00	18
	1881 x 1830 x 306				1727 x 1727	
A74H7212SS6LP	74.06 x 72.06 x 12.06	316L	A72P72	A72P72G	68.00 x 68.00	18
	1881 x 1830 x 306				1727 x 1727	
A74H7224SSLP	74.06 x 72.06 x 24.06	304	A72P72	A72P72G	68.00 x 68.00	18
	1881 x 1830 x 611				1727 x 1727	
A74H7224SS6LP	74.06 x 72.06 x 24.06	316L	A72P72	A72P72G	68.00 x 68.00	18
	1881 x 1830 x 611				1727 x 1727	

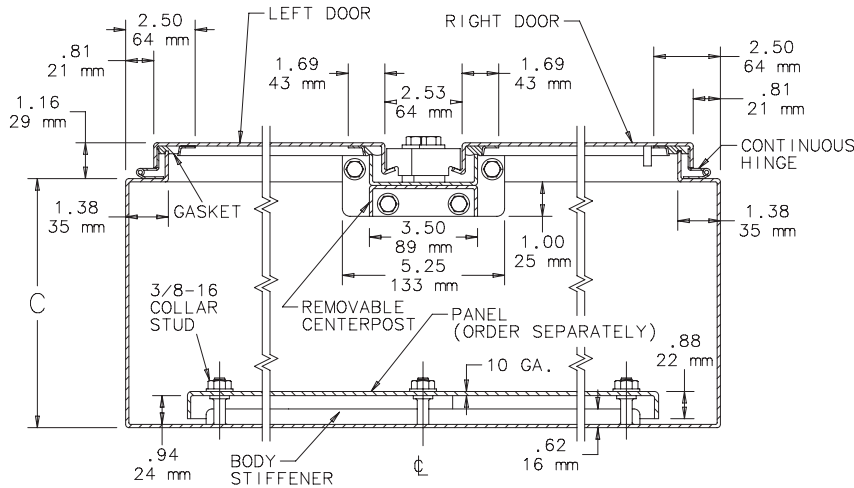
Purchase panels separately.

A74H7212SSLP, A74H7212SS6LP, A74H7224SSLP and A74H7224SS6LP have 10 gauge back.

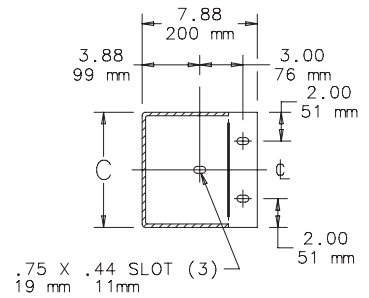
Floor-Mount and Free-Stand Enclosures



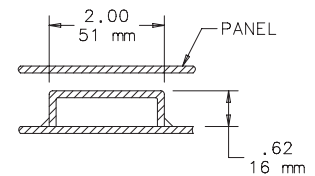
NOTE: Right door has removable 12.00 x 12.00 (305mm x 305mm) data pocket.



SECTION X-X
(LIFTING ANGLES AND LIGHT CHANNEL NOT SHOWN)



SECTION W-W



SECTION Z-Z

Floor-Mount and Free-Stand Enclosures
General Purpose Two-Door with Quarter-Turn Latches and Floor Stands, Type 4X

Specifications

- 14 gauge doors and 12 gauge body from Type 304 stainless steel
- Seams continuously welded and ground smooth
- Flange trough collar on all four sides of door openings
- Seamless foam-in-place one-piece gasket provides water-, oil- and dust-tight seal against contaminants
- Black die-cast quarter-turn latches with slotted insert provided on three sides of each door
- Concealed hinges provide 180-degree door opening and allow easy door removal and cleaning of hinge area
- Bolt-on 12-in.-high stainless steel floor stands
- Heavy-duty Type 316L stainless steel lifting eyes
- Collar studs on inside of enclosure back for mounting optional panels
- Removable centerpost for easy panel installation
- Bonding provisions on doors; grounding studs on body
- Data pocket is high-impact plastic attached with pressure-sensitive adhesive
- No interior stiffeners to obstruct component mounting
- Accessory mounting channel provided in enclosure top

Finish

Stainless steel enclosures are unpainted. External surfaces of front, sides, top and bottom have a #4 finish. Interior welds are not finished. Optional mild steel panels are painted white. Optional conductive panels are available.

Accessories

See also *Accessories*.
 Electric Heater
 PANELITE™ Enclosure Lights Overview
 Panel Support Kit
 Panels for Type 3R, 4, 4X, 12 and 13 Enclosures
 Steel and Stainless Steel Window Kits

Modification and Customization

Hoffman excels at modifying and customizing products to your specifications. Contact your local Hoffman sales office or distributor for complete information.

Bulletin: A452

Industry Standards

UL 508A Listed; Type 3R, 4, 4X, 12; File No. E61997
 cUL Listed per CSA C22.2 No 94; Type 3R, 4, 4X, 12; File No. E61997

NEMA/EEMAC: Type 3R, 4, 4X, 12
 Number E61997
 IEC 60529, IP66
 Meets NEMA Type 3RX requirements

Application

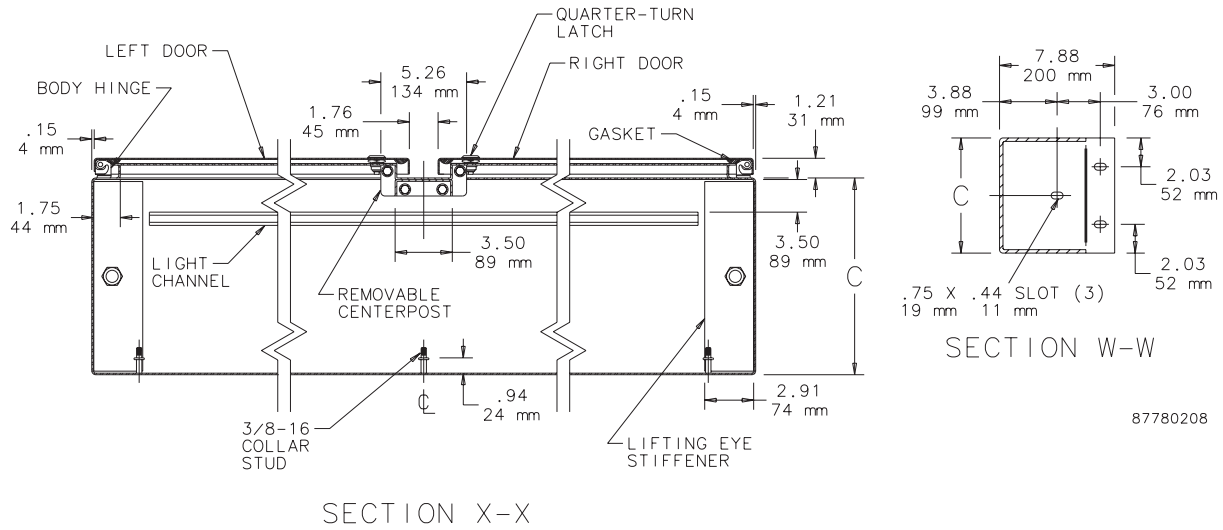
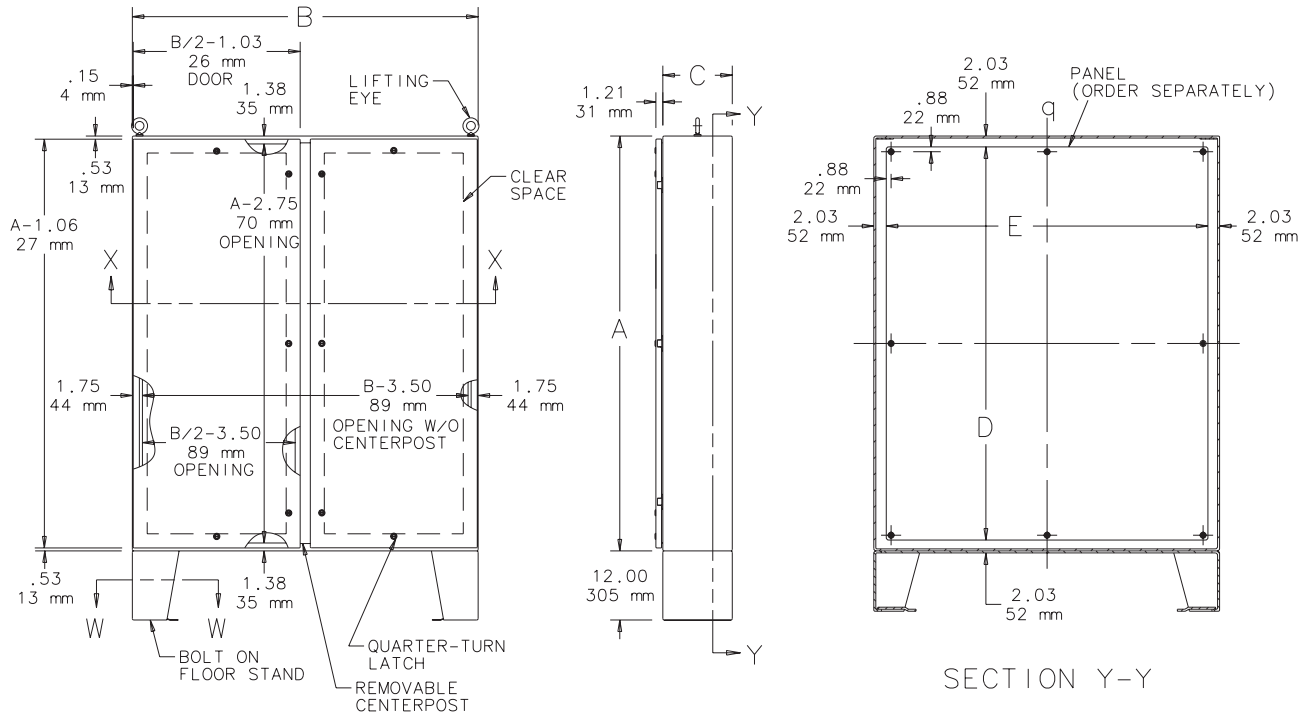
This two-door stainless steel enclosure with quarter-turn latches is designed to house electronic controls and components. It provides protection from noncorrosive or mildly corrosive elements in both indoor and outdoor environments. Typical applications are in the food and beverage, packaging, water, petroleum and chemical processing industries.

Standard Product

Catalog Number	AxBxC in./mm	Panel	Conductive Panel	Panel Size D x E in./mm	Number of Latches
A60H4812SSLPQT	60.06 x 48.06 x 12.06	A60P48	A60P48G	56.00 x 44.00	10
	1526 x 1221 x 306			1422 x 1118	
A60H6012SSLPQT	60.06 x 60.06 x 12.06	A60P60	A60P60G	56.00 x 56.00	10
	1526 x 1526 x 306			1422 x 1422	
A72H6012SSLPQT	72.06 x 60.06 x 12.06	A72P60	A72P60G	68.00 x 56.00	10
	1830 x 1526 x 306			1727 x 1422	
A72H7212SSLPQT	72.06 x 72.06 x 12.06	A72P72	A72P72G	68.00 x 68.00	10
	1830 x 1830 x 306			1727 x 1727	
A60H4818SSLPQT	60.06 x 48.06 x 18.06	A60P48	A60P48G	56.00 x 44.00	10
	1526 x 1221 x 459			1422 x 1118	
A60H6018SSLPQT	60.06 x 60.06 x 18.06	A60P60	A60P60G	56.00 x 56.00	10
	1526 x 1526 x 459			1422 x 1422	
A72H6018SSLPQT	72.06 x 60.06 x 18.06	A72P60	A72P60G	68.00 x 56.00	10
	1830 x 1526 x 459			1727 x 1422	
A72H7218SSLPQT	72.06 x 72.06 x 18.06	A72P72	A72P72G	68.00 x 68.00	10
	1830 x 1830 x 459			1727 x 1727	
A72H7224SSLPQT	72.06 x 72.06 x 24.06	A72P72	A72P72G	68.00 x 68.00	10
	1830 x 1830 x 611			1727 x 1727	

Purchase panels separately.

Floor-Mount and Free-Stand Enclosures



87780208

Floor-Mount and Free-Stand Enclosures

General Purpose Single-Door Free-Stand with Quarter-Turn Latches, Type 4X



Industry Standards

UL508A Listed; Type 3R, 4, 4X, 12; File No. E61997
 cUL Listed per CSA C22.2 No. 94; Type 3R, 4, 4X, 12; File No. E61997

NEMA/EEMAC: Type 3R, 4, 4X, 12
 IEC 60529, IP66
 Meets NEMA Type 3RX

Application

This single-door stainless steel enclosure with quarter-turn latches is designed to house electronic controls and components. It provides protection from non-corrosive or mildly corrosive elements in both indoor and outdoor environments. Typical applications are in the pharmaceutical, food and beverage, packaging, water, petroleum and chemical processing industries.

Specifications

- Type 304 Stainless Steel 14 gauge doors and body, and 14 or 12 gauge back
- Seams continuously welded and ground smooth
- Flange trough collar on all four sides of door openings
- Seamless foam-in-place one-piece gasket provides water-, oil- and dust-tight seal against contaminants
- Black die-cast quarter-turn latches with slotted insert provided on three sides of door
- Concealed stainless steel hinges provide **180-degree** door opening and allow easy door removal and cleaning of hinge area
- Heavy-duty Type 316L stainless steel lifting eyes

- Internal accessory mounting channels welded horizontally to sides at top, bottom and center
- High-impact plastic Data Pocket kit, attached with pressure-sensitive adhesive, is included with enclosure
- Bonding provision on door; grounding stud on body
- Accessory mounting channel provided in enclosure top

Finish

Stainless steel enclosures are unpainted. External surfaces of front, sides, top and bottom have a #4 finish. Interior welds are not finished. Optional mild steel back panels are painted white. Optional conductive back panels are available.

Accessories

See also *Accessories*
 Swing Out Panels
 Back Panels
 Side Mount Panels
 Rack Mounting Angles
 Stainless Steel Window Kits

Modification and Customization

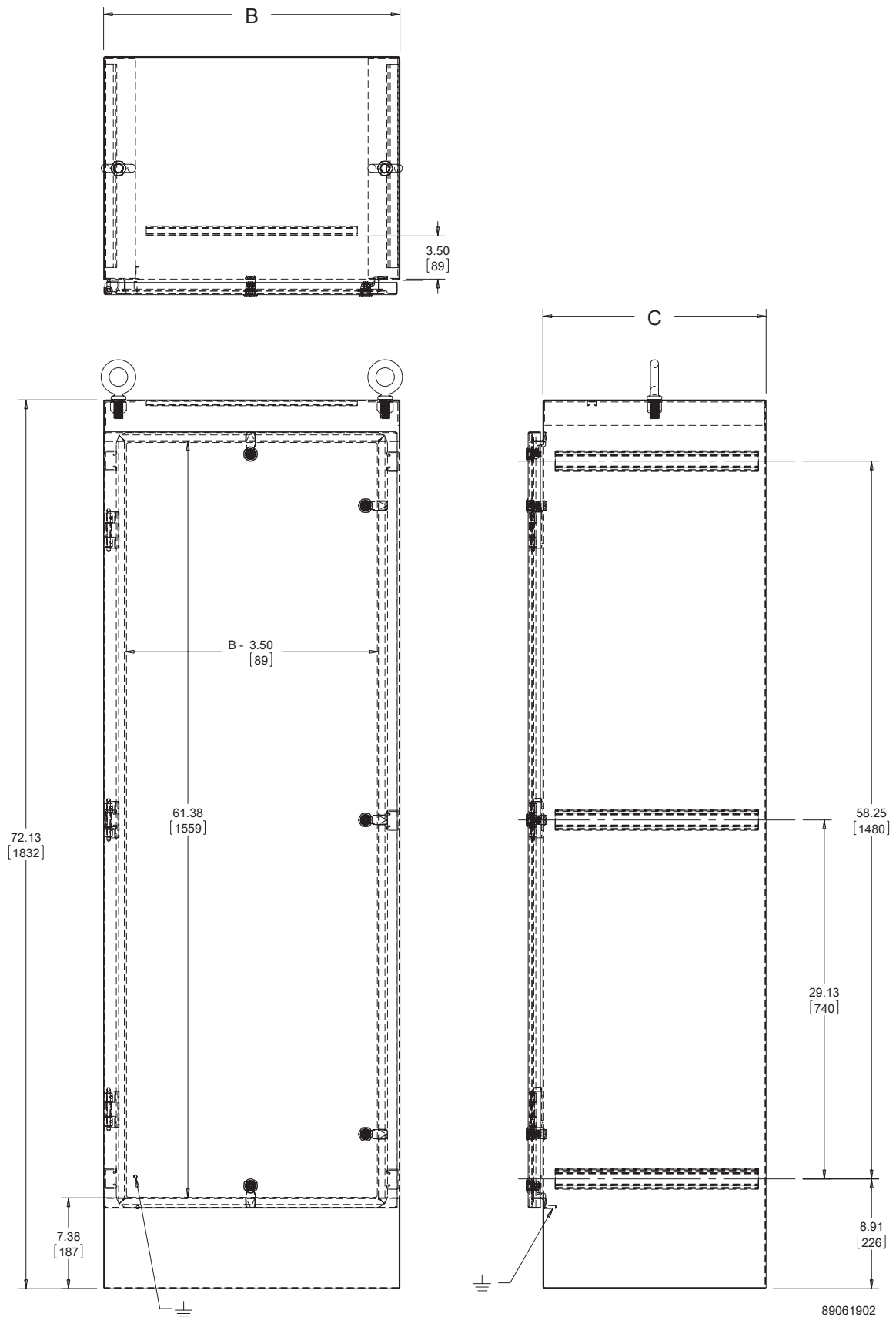
Hoffman excels at modifying and customizing products to your specifications. Contact your local Hoffman sales office or distributor for complete information.

Bulletin: A30S4

Standard Product

Catalog Number	AxBxC in./mm	Panel	Conductive Panel	Panel Size D x E in./mm
A72HS2418SSLPQT	72.13 x 24.06 x 18.13 1832 x 611 x 461	A72P24F1	A72P24F1G	60.00 x 20.00 1524 x 508
A72HS3024SSLPQT	72.13 x 30.06 x 24.13 1832 x 764 x 613	A72P30F1	A72P30F1G	60.00 x 26.00 1525 x 661
A72HS3624SSLPQT	72.13 x 36.06 x 24.15 1832 x 916 x 613	A72P36F1	A72P36F1G	60.00 x 32.00 1524 x 813

Floor-Mount and Free-Stand Enclosures



Floor-Mount and Free-Stand Enclosures

Two-Door with 3-Point Latches and Floor-Stands, Type 12



Specifications

- Manufactured from 12 or 14 gauge Type 304 stainless steel
- Seams continuously welded and ground smooth; no holes or knockouts
- Strong, rigid construction with body stiffeners
- Gasketed overlapping doors eliminate need for centerpost
- Plated steel 3-point latching mechanism and key-locking handle
- Latch rods have rollers for easier door-closing
- Heavy-gauge continuous hinges support each door
- Data pocket, provided on door with 3-point latches, is high-impact thermoplastic
- 12-in. (305-mm) floor stands are welded to enclosure
- Heavy-duty lifting eyes are Type 316 stainless steel
- Panel supports
- Collar studs for mounting optional panel
- Bonding provision on doors; grounding studs on body
- Accessory mounting channel in top of enclosure

Finish

Enclosures are unpainted. Front, sides, top and back have smooth #4 brushed finished. Optional mild steel panels are painted white. Optional conductive panels are available.

Accessories

See also *Accessories*.
 Drip Shield Kit for Type 12 Enclosures
 Enclosure Stabilizers
 Center Panel Supports
 Panels for Type 3R, 4, 4X, 12 and 13 Enclosures

Modification and Customization

Hoffman excels at modifying and customizing products to your specifications. Contact your local Hoffman sales office or distributor for complete information.

Bulletin: A12S

Industry Standards

UL 508A Listed; Type 12; File No. E61997
 cUL Listed per CSA C22.2 No 94; Type 12; File No. E61997

NEMA/EEMAC Type 12
 CSA File No. 42186: Type 12
 IEC 60529, IP55

Application

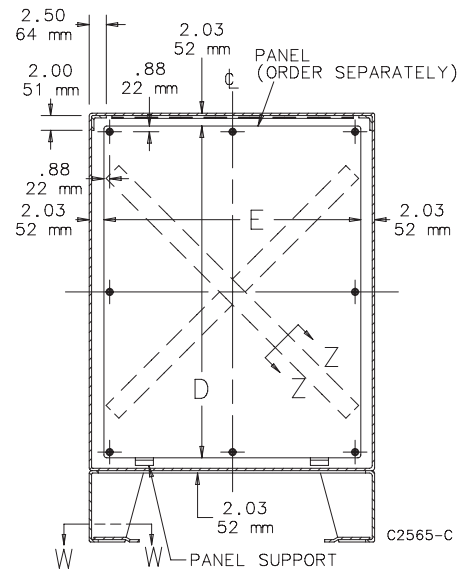
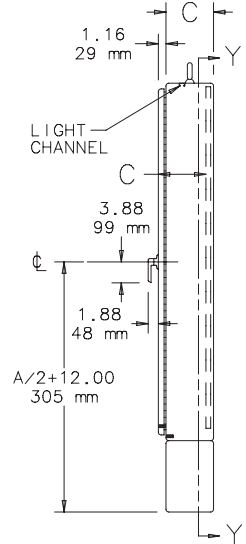
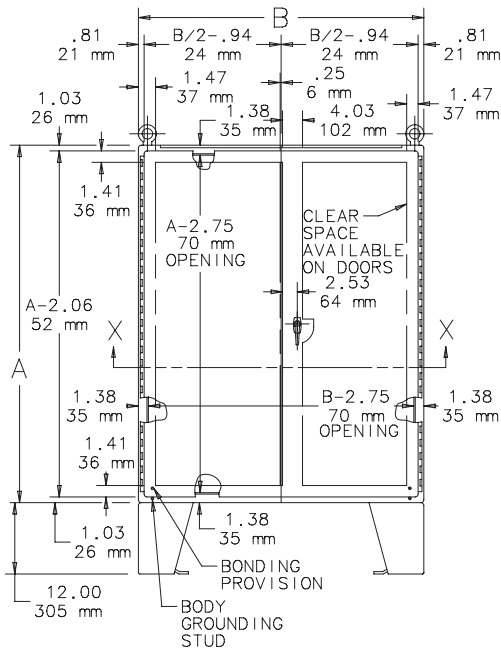
Designed to house systems incorporating large components or complex mounting configurations. Three-point latching and sealing provide industry-leading protection from dust, dirt, oil and water.

Standard Product

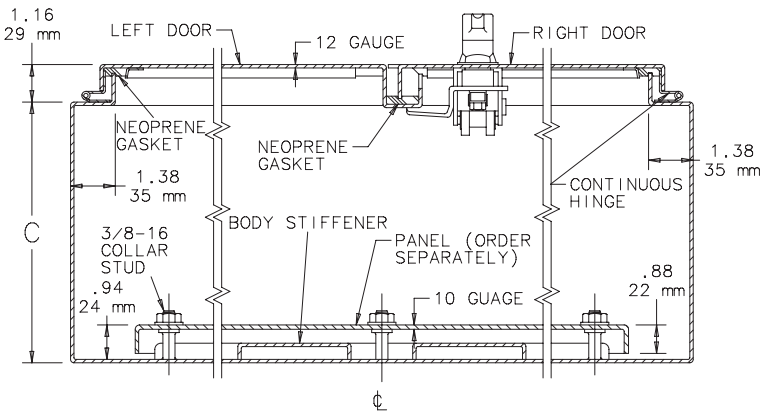
Catalog Number	AxBxC in.	AxBxC mm	Gauge	Panel	Galvanized Panel	Panel Gauge	Panel Size D x E (in.)	Panel Size D x E (mm)	Stiffener (Body)
A54420BSSLP	54.00 x 42.00 x 8.00	1372 x 1067 x 203	14	A54P42	A54P42G	12	50.00 x 38.00	1270 x 965	3
A60480BSSLP	60.06 x 48.06 x 8.06	1526 x 1221 x 205	12	A60P48	A60P48G	10	56.00 x 44.00	1422 x 1118	1 (X-form)
A604810SSLP	60.06 x 48.06 x 10.06	1526 x 1221 x 256	12	A60P48	A60P48G	10	56.00 x 44.00	1422 x 1118	1 (X-form)
A606010SSLP	60.06 x 60.06 x 10.06	1526 x 1526 x 256	12	A60P60	A60P60G	10	56.00 x 56.00	1422 x 1422	1 (X-form)
A726010USSLP	72.06 x 60.06 x 10.06	1830 x 1526 x 256	12	A72P60	A72P60G	10	68.00 x 56.00	1727 x 1422	1 (X-form)
A727210USSLP	72.06 x 72.06 x 10.06	1830 x 1830 x 256	12	A72P72	A72P72G	10	68.00 x 68.00	1727 x 1727	1 (X-form)
A604812SSLP	60.06 x 48.06 x 12.06	1526 x 1221 x 306	12	A60P48	A60P48G	10	56.00 x 44.00	1422 x 1118	1 (X-form)
A606012SSLP	60.06 x 60.06 x 12.06	1526 x 1526 x 306	12	A60P60	A60P60G	10	56.00 x 56.00	1422 x 1422	1 (X-form)
A726012USSLP	72.06 x 60.06 x 12.06	1830 x 1526 x 306	12	A72P60	A72P60G	10	68.00 x 56.00	1727 x 1422	1 (X-form)
A727212USSLP	72.06 x 72.06 x 12.06	1830 x 1830 x 306	12	A72P72	A72P72G	10	68.00 x 68.00	1727 x 1727	1 (X-form)
A604816SSLP	60.06 x 48.06 x 16.06	1526 x 1221 x 408	12	A60P48	A60P48G	10	56.00 x 44.00	1422 x 1118	1 (X-form)
A606016SSLP	60.06 x 60.06 x 16.06	1526 x 1526 x 408	12	A60P60	A60P60G	10	56.00 x 56.00	1422 x 1422	1 (X-form)
A726016USSLP	72.06 x 60.06 x 16.06	1830 x 1526 x 408	12	A72P60	A72P60G	10	68.00 x 56.00	1727 x 1422	1 (X-form)
A727216USSLP	72.06 x 72.06 x 16.06	1830 x 1830 x 408	12	A72P72	A72P72G	10	68.00 x 68.00	1727 x 1727	1 (X-form)
A604820SSLP	60.06 x 48.06 x 20.06	1526 x 1221 x 510	12	A60P48	A60P48G	10	56.00 x 44.00	1422 x 1118	1 (X-form)
A726020USSLP	72.06 x 60.06 x 20.06	1830 x 1526 x 510	12	A72P60	A72P60G	10	68.00 x 56.00	1727 x 1422	1 (X-form)
A727220USSLP	72.06 x 72.06 x 20.06	1830 x 1830 x 510	12	A72P72	A72P72G	10	68.00 x 68.00	1727 x 1727	1 (X-form)
A604824SSLP	60.06 x 48.06 x 24.06	1526 x 1221 x 611	12	A60P48	A60P48G	10	56.00 x 44.00	1422 x 1118	1 (X-form)
A606024SSLP	60.06 x 60.06 x 24.06	1526 x 1526 x 611	12	A60P60	A60P60G	10	56.00 x 56.00	1422 x 1422	1 (X-form)
A726024USSLP	72.06 x 60.06 x 24.06	1830 x 1526 x 611	12	A72P60	A72P60G	10	68.00 x 56.00	1727 x 1422	1 (X-form)
A727224USSLP	72.06 x 72.06 x 24.06	1830 x 1830 x 611	12	A72P72	A72P72G	10	68.00 x 68.00	1727 x 1727	1 (X-form)

Purchase panels separately.

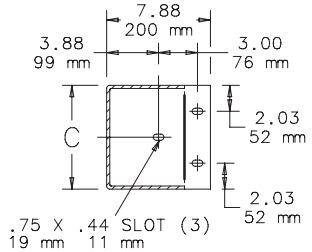
Floor-Mount and Free-Stand Enclosures



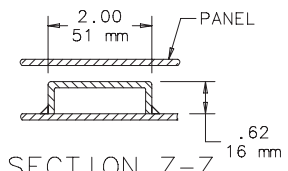
SECTION Y-Y



SECTION X-X
(LIFTING ANGLES AND LIGHT CHANNEL NOT SHOWN)



SECTION W-W



SECTION Z-Z

NOTE:
Right door has removable 12 x 12.00 (305mm x 305mm) data pocket

Floor-Mount and Free-Stand Enclosures
Free-Stand, Type 4X

Application

This single-door enclosure provides industry-leading protection for systems incorporating large components or complex mounting configurations in highly corrosive environments. The addition of 19-in. rack-mounting accessories makes these enclosures ideal for providing rugged protection for sensitive rack-mounted components in harsh industrial environments. The enclosure is typically used in food-processing plants, pharmaceutical manufacturing facilities, petrochemical plants and waste-water treatment facilities.

Specifications

- 12 gauge Type 304 or 316L stainless steel
- Seams continuously welded and ground smooth; no holes or knockouts
- Mounting channels welded horizontally to interior body sides at top, bottom and center
- Panels and rack mounting angles can be mounted anywhere along channels
- Rolled lip around three sides of door and along top of enclosure opening excludes liquids and contaminants
- Stainless steel door clamps on three sides of door assure water-tight seal
- Heavy-gauge stainless steel continuous hinge
- Stainless steel hinge pin
- Stainless steel hasp and staple provided for padlocking
- Data pocket is high-impact thermoplastic
- Heavy-duty lifting eyes are Type 316L stainless steel
- Oil-resistant door gasket
- Bonding provision on door; grounding stud on body
- Accessory mounting channel provided in enclosure top

Finish

Enclosures are unpainted. Front, sides, top and back have smooth #4 brushed finish. Optional steel panels, swing-out panels, side-mounted panels, rack-mounting frames, heavy-duty panel supports and center panel supports are painted white. Optional full, half and side-mounted conductive panels are available.

Accessories

See also *Accessories*.
 Caster Kit
 Clamping Nut Package
 Drip Shield Kit for Type 12 Enclosures
 PANELITE™ Enclosure Lights Overview

Modification and Customization

Hoffman excels at modifying and customizing products to your specifications. Contact your local Hoffman sales office or distributor for complete information.

Bulletin: A4SL

Industry Standards

UL 508A Listed; Type 3R, 4, 4X, 12; File No. E61997
 cUL Listed per CSA C22.2 No 94; Type 3R, 4, 4X, 12; File No. E61997

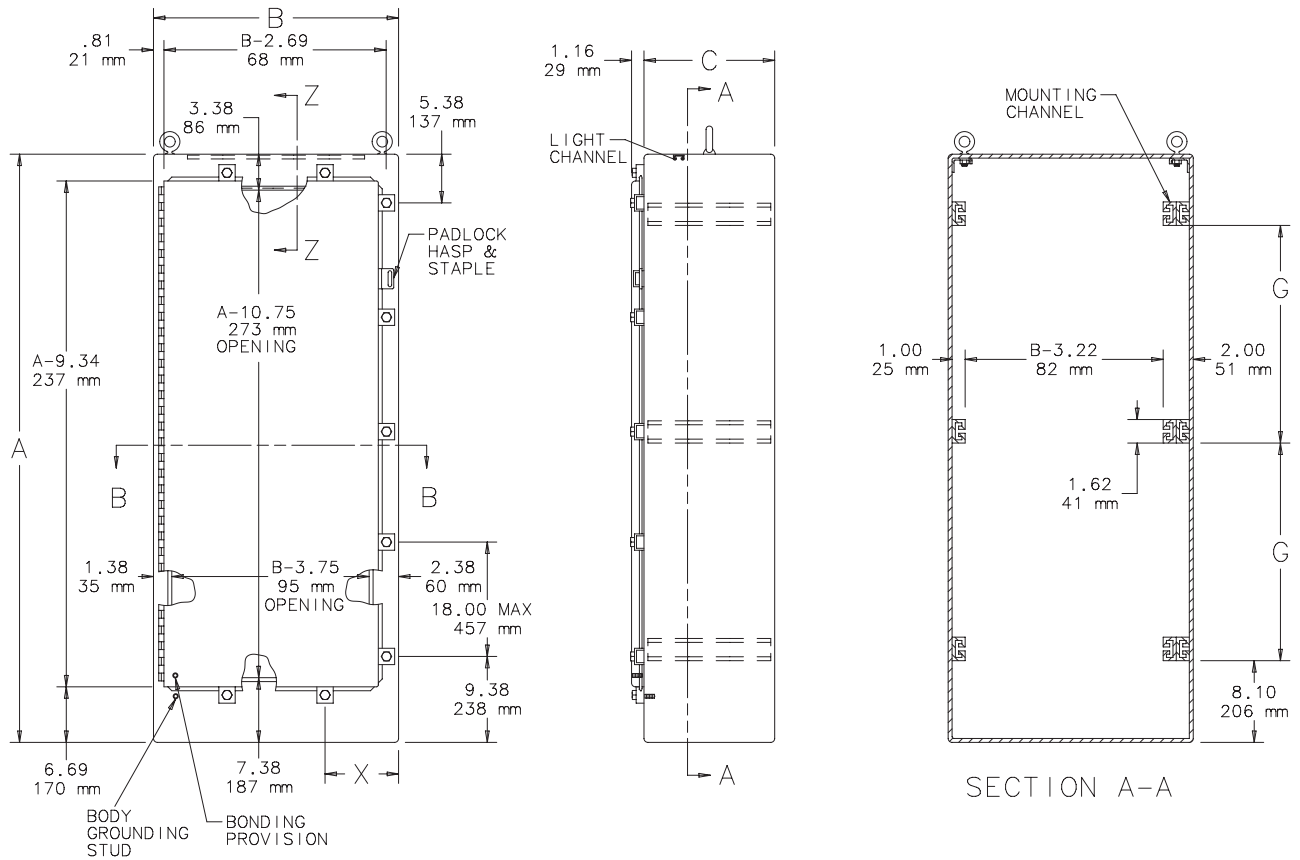
NEMA Type 3, 3R, 4, 4X, 12, 13
 CSA File No. 42186: Type 4, 4X, 12
 E.I.A. RS-310-D
 IEC 60529, IP66
 Meets NEMA Type 3RX requirements

Standard Products

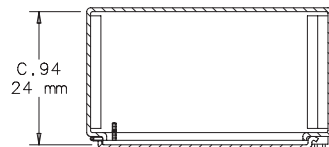
Catalog Number	AxBxC in./mm	Stainless Steel Type	X in./mm	G in./mm
A72H25185SFS	72.06 x 25.06 x 18.06	304	6.38	29.12
	1830 x 637 x 459		162	740
A72H25185S6FS	72.06 x 25.06 x 18.06	316L	6.38	29.12
	1830 x 637 x 459		162	740
A72H31245SFS	72.06 x 31.06 x 24.06	304	8.38	29.12
	1830 x 789 x 611		213	740
A72H31245S6FS	72.06 x 31.06 x 24.06	316L	8.38	29.12
	1830 x 789 x 611		213	740
A72H37245SFS	72.06 x 37.06 x 24.06	304	10.38	29.12
	1830 x 941 x 611		264	740
A72H37245S6FS	72.06 x 37.06 x 24.06	316L	10.38	29.12
	1830 x 941 x 611		264	740

Purchase panels and accessories separately.

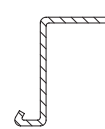
Floor-Mount and Free-Stand Enclosures



- NOTE:**
1. Maximum spacing between clamps is 18.00 (457mm). See General Accessories chapter for section views A-A and B-B showing accessories.
 2. Removable data pocket is 12.00 x 12.00 (305mm x 305mm).



SECTION B-B



SECTION Z-Z

Floor-Mount and Free-Stand Enclosures

Free-Stand Single and Dual Access with 3-Point Latches, Type 4X



Four styles are available to provide maximum flexibility:

1. One-Door Single-Access Enclosures (single door on front)
2. One-Door Dual-Access Enclosures (single door on front and rear)
3. Two-Door Single-Access Enclosures (doors close on a removable centerpost)
4. Two-Door Dual-Access Enclosures (doors close on a removable centerpost on front and rear)

Specifications

- 12 gauge Type 304 stainless steel
- Seams continuously welded and ground smooth; no holes or knockouts
- Two-door enclosures provided with a removable centerpost for easy panel installation
- Heavy-duty lifting eyes are Type 316L stainless steel
- Heavy-duty three-point latching mechanism operated by Type 316L stainless steel POWERGLIDE® padlocking handle
- Seamless foam-in-place gasket assures a water-tight and dust-tight seal
- Body flange trough collar excludes liquids and contaminants
- Latch rods have rollers for easier door closing
- Heavy-gauge continuous hinges support each door
- High-impact thermoplastic data pocket provided with each enclosure
- Mounting channels welded horizontally to interior body sides at top, bottom and center
- Optional panels and rack mounting angles can be mounted anywhere along channels
- Bonding provision on door; grounding stud on body
- Accessory mounting channel provided in enclosure top

Industry Standards

UL 508A Listed; Type 3R, 4, 4X, 12; File No. E61997
 cUL Listed per CSA C22.2 No 94; Type 3R, 4, 4X, 12; File No. E61997

NEMA/EEMAC Type 3, 3R, 4, 4X, 12, 13
 E.I.A. RS-310-D
 IEC 60529, IP66
 Meets NEMA Type 3RX requirements

Application

Designed to house systems incorporating large components or complex mounting configurations. Three-point latching and sealing provide industry-leading protection from dust, dirt, oil and water. These enclosures are used in machine tool applications for housing motor starters, drives, contactors and PLCs, as well as a wide variety of other electrical and electronic equipment. The addition of 19-in. rack-mounting accessories makes these enclosures ideal for providing rugged protection for sensitive rack-mounted components in harsh industrial environments. These enclosures are used extensively in automotive, pulp and paper, wood products, textile and similar industries.

Finish

Enclosures are unpainted. Cover, sides, top and bottom have smooth #4 brushed finish. Optional steel panels, swing-out panels, side-mounted panels, rack-mounting frames, heavy-duty panel supports and center panel supports are white. Optional full, half and side-mounted conductive panels are available.

Accessories

See also *Accessories*.

Caster Kit
 Clamping Nut Package
 Floor Stand Kit, Stainless Steel
 Center Panel Supports
 Panels for Free-Stand Type 4, 4X and 12 Single- and Dual-Access One-Door Enclosures with Mounting Channel
 Panels for Free-Stand Type 4, 4X and 12 Single- and Dual-Access Two-Door Enclosures with Mounting Channel

Modification and Customization

Hoffman excels at modifying and customizing products to your specifications. Contact your local Hoffman sales office or distributor for complete information.

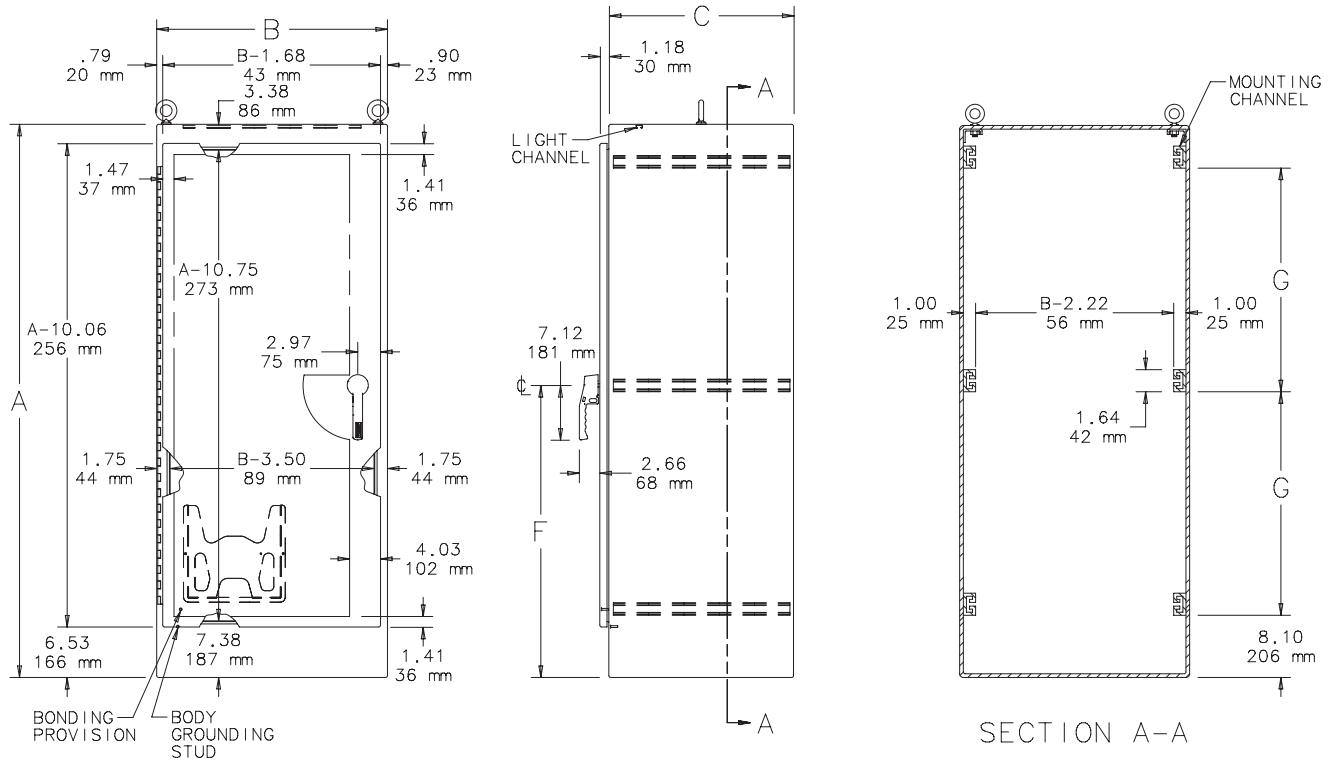
Bulletin: A30S4

Floor-Mount and Free-Stand Enclosures

Standard Product **One-Door Single-Access**

Catalog Number	AxBxC in./mm	F in./mm	G in./mm
A602418SSFSN4	60.06 x 24.06 x 18.06	32.03	23.12
	1526 x 611 x 459	814	587
A722418SSFSN4	72.06 x 24.06 x 18.06	38.03	29.12
	1830 x 611 x 459	966	740
A723018SSFSN4	72.06 x 30.06 x 18.06	38.03	29.12
	1830 x 764 x 459	966	740
A723618SSFSN4	72.06 x 36.06 x 18.06	38.03	29.12
	1830 x 916 x 459	966	740
A902420SSFSN4	90.06 x 24.06 x 20.06	47.03	38.12
	2288 x 611 x 510	1195	968
A903620SSFSN4	90.06 x 36.06 x 20.06	47.03	38.12
	2288 x 916 x 510	1195	968
A603624SSFSN4	60.06 x 36.06 x 24.06	32.03	23.12
	1526 x 916 x 611	814	587
A722424SSFSN4	72.06 x 24.06 x 24.06	38.03	29.12
	1830 x 611 x 611	966	740
A723024SSFSN4	72.06 x 30.06 x 24.06	38.03	29.12
	1830 x 764 x 611	966	740
A723624SSFSN4	72.06 x 36.06 x 24.06	38.03	29.12
	1830 x 916 x 611	966	740
A903624SSFSN4	90.06 x 36.06 x 24.06	47.03	38.12
	2288 x 916 x 611	1195	968
A723630SSFSN4	72.06 x 36.06 x 30.06	38.03	29.12
	1830 x 916 x 764	966	740
A723636SSFSN4	72.06 x 36.06 x 36.06	38.03	29.12
	1830 x 916 x 916	966	740
A903636SSFSN4	90.06 x 36.06 x 36.06	47.03	38.12
	2288 x 916 x 916	1195	968

Purchase panels and accessories separately.



87576784

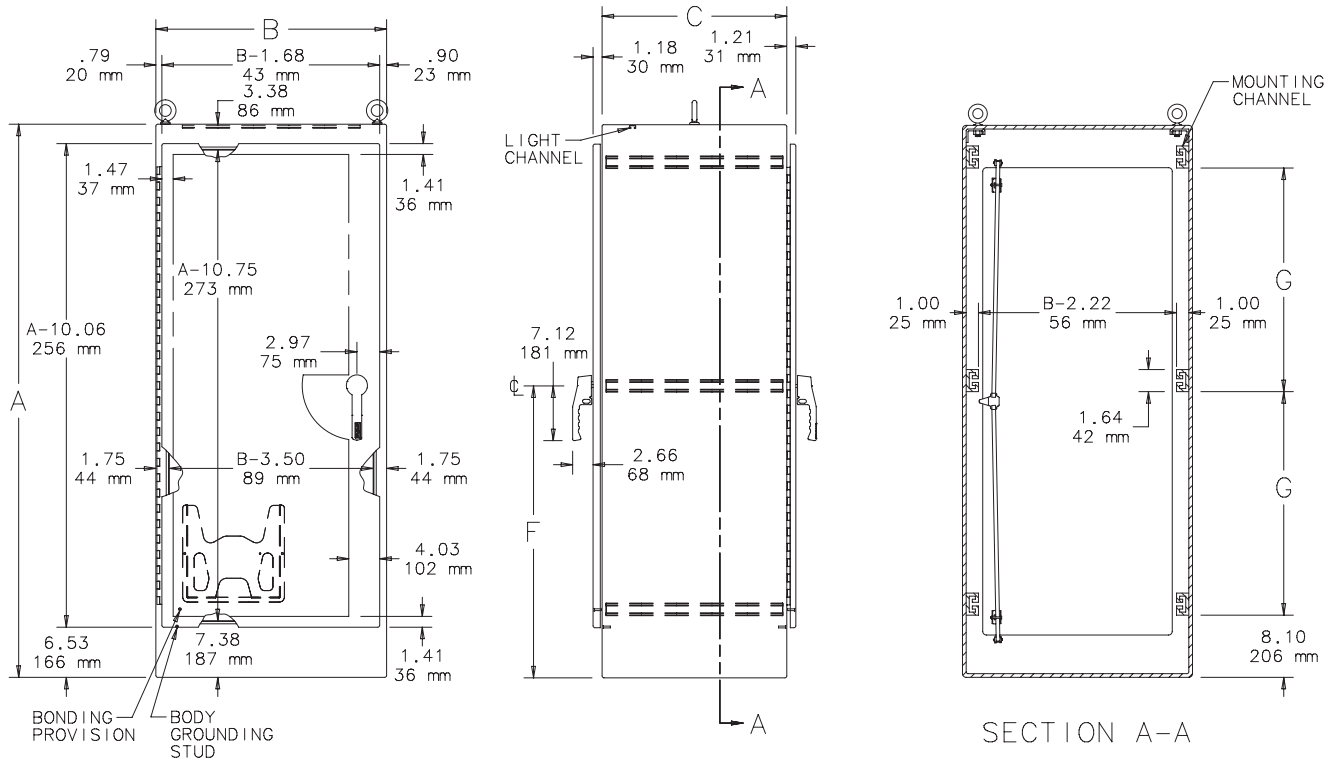
- NOTES:
1. Four lifting eyes are furnished if C=30.06 (764mm) or more.
 2. See General Accessories chapter for section views A-A and B-B showing accessories.
 3. Removable 12.00 x 12.00 (305mm x 305mm) data pocket.

Floor-Mount and Free-Stand Enclosures

Standard Product **One-Door Dual-Access**

Catalog Number	AxBxC in./mm	F in./mm	G in./mm
A7224245SFSDAN4	72.06 x 24.06 x 24.06 1830 x 611 x 611	38.03 966	29.12 740
A7230245SFSDAN4	72.06 x 30.06 x 24.06 1830 x 764 x 611	38.03 966	29.12 740
A7236245SFSDAN4	72.06 x 36.06 x 24.06 1830 x 916 x 611	38.03 966	29.12 740
A9036245SFSDAN4	90.06 x 36.06 x 24.06 2288 x 916 x 611	47.03 1195	38.12 968
A7224305SFSDAN4	72.06 x 24.06 x 30.06 1830 x 611 x 764	38.03 966	29.12 740
A7224365SFSDAN4	72.06 x 24.06 x 36.06 1830 x 611 x 916	38.03 966	29.12 740
A7236365SFSDAN4	72.06 x 36.06 x 36.06 1830 x 916 x 916	38.03 966	29.12 740
A9036365SFSDAN4	90.06 x 36.06 x 36.06 2288 x 916 x 916	47.03 1195	38.12 968

Purchase panels and accessories separately.



87576785

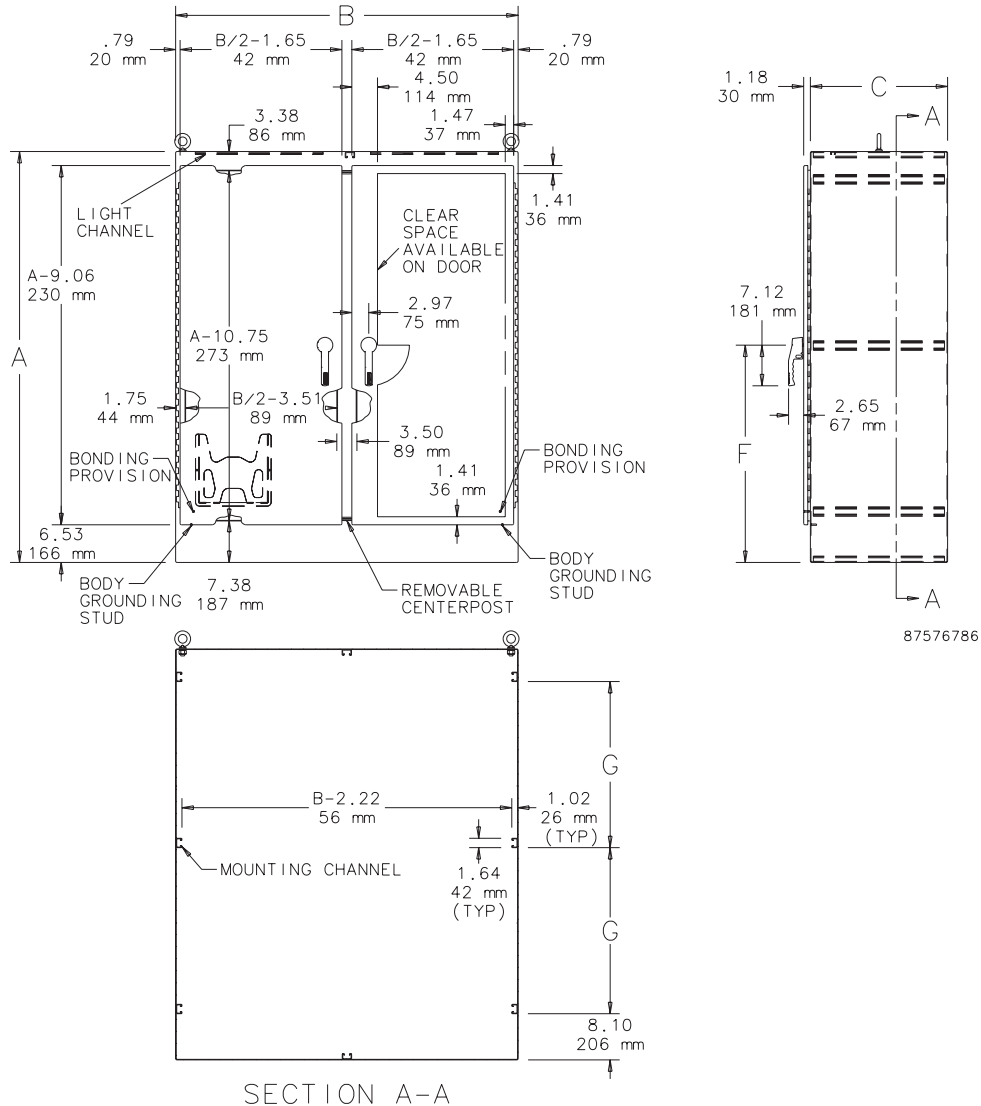
- NOTES:
1. Four lifting eyes are furnished if C=30.06 (764mm) or more.
 2. See General Accessories chapter for section views A-A and B-B showing accessories.
 3. Removable 12.00 x 12.00 (305mm x 305mm) data pocket.

Floor-Mount and Free-Stand Enclosures

Standard Product Two-Door Single-Access

Catalog Number	AxBxC in./mm	F in./mm	G in./mm	H in./mm	J in./mm
A604818SSFSDN4	60.06 x 48.06 x 18.06 1526 x 1221 x 472	32.03 814	23.12 587	19.88 505	20.03 509
A724818SSFSDN4	72.06 x 48.06 x 18.06 1830 x 1221 x 472	38.03 966	29.12 740	23.88 607	24.03 610
A726018SSFSDN4	72.06 x 60.06 x 18.06 1830 x 1526 x 472	38.03 966	29.12 740	23.88 607	24.03 610
A727218SSFSDN4	72.06 x 72.06 x 18.06 1830 x 1830 x 472	38.03 966	29.12 740	23.88 607	24.03 610
A904820SSFSDN4	90.06 x 48.06 x 20.06 2288 x 1221 x 510	47.03 1195	38.12 968	29.88 759	30.03 763
A907220SSFSDN4	90.06 x 72.06 x 20.06 2288 x 1830 x 510	47.03 1195	38.12 968	29.88 759	30.03 763
A724824SSFSDN4	72.06 x 48.06 x 24.06 1830 x 1221 x 611	38.03 966	29.12 740	23.88 607	24.03 610
A726024SSFSDN4	72.06 x 60.06 x 24.06 1830 x 1526 x 611	38.03 966	29.12 740	23.88 607	24.03 610
A727224SSFSDN4	72.06 x 72.06 x 24.06 1830 x 1830 x 611	38.03 966	29.12 740	23.88 607	24.03 610
A907224SSFSDN4	90.06 x 72.06 x 24.06 2288 x 1830 x 611	47.03 1195	38.12 968	29.88 759	30.03 763
A726036SSFSDN4	72.06 x 60.06 x 36.06 1830 x 1526 x 916	38.03 966	29.12 740	23.88 607	24.03 610
A907236SSFSDN4	90.06 x 72.06 x 36.06 2288 x 1830 x 916	47.03 1195	38.12 968	29.88 759	30.03 763

Purchase panels and accessories separately.



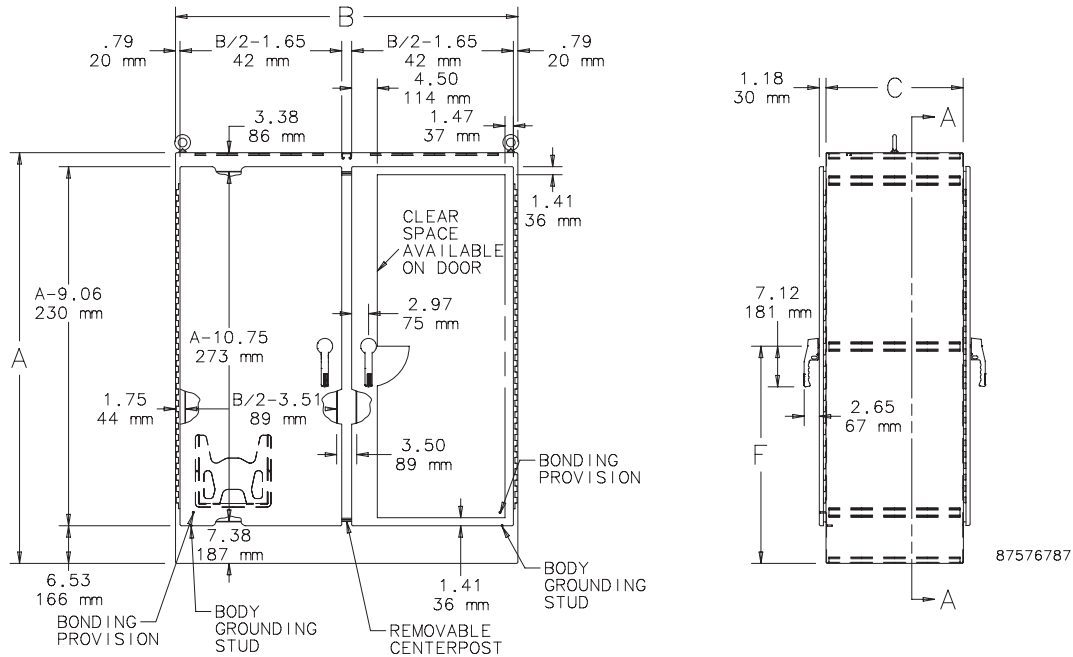
87576786

Floor-Mount and Free-Stand Enclosures

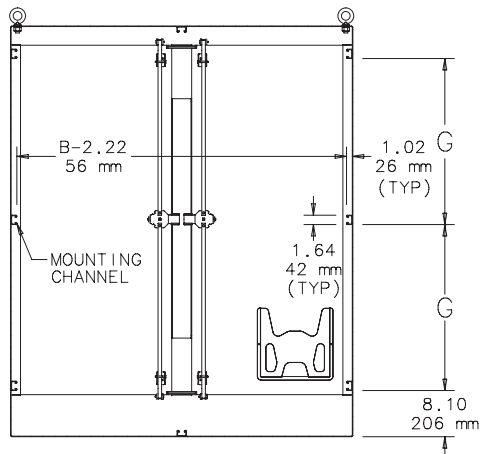
Standard Product **Two-Door Dual-Access**

Catalog Number	AxBxC in./mm	F in./mm	G in./mm
A724824SSFSDADN4	72.06 x 48.06 x 24.06 1830 x 1221 x 611	38.03 966	29.12 740
A726024SSFSDADN4	72.06 x 60.06 x 24.06 1830 x 1526 x 611	38.03 966	29.12 740
A727224SSFSDADN4	72.06 x 72.06 x 24.06 1830 x 1830 x 611	38.03 966	29.12 740
A907224SSFSDADN4	90.06 x 72.06 x 24.06 2288 x 1830 x 611	47.03 1195	38.12 968
A726036SSFSDADN4	72.06 x 60.06 x 36.06 1830 x 1526 x 916	38.03 966	29.12 740

Purchase panels and accessories separately.



- NOTES:
1. Four lifting eyes are furnished if C=30.06 (764mm) or more.
 2. See General Accessories chapter for section views A-A and B-B showing accessories.
 3. Removable 12.00 x 12.00 (305mm x 305mm) data pocket.



SECTION A-A



Floor-Mount and Free-Stand Enclosures

Notes

Floor-Mount and Free-Stand Enclosures

Free-Stand Accessories

Type 12 Free-Standing Enclosures Accessory Selection

(See Accessories for Details)

Panels

Catalog Number

Steel	Conductive	Description	Panel Size
A60P24F1	A60P24F1G	Full Panel	48.00 x 20.00 (1219 x 508)
A60P24F2	A60P24F2G	Half Panel	24.88 x 20.00 (632 x 508)
A72P24F1	A72P24F1G	Full Panel	60.00 x 20.00 (1524 x 508)
A72P24F2	A72P24F2G	Half Panel	30.88 x 20.00 (784 x 508)
A90P24F1	A90P24F1G	Full Panel	78.00 x 20.00 (1981 x 508)
A90P24F2	A90P24F2G	Half Panel	39.00 x 20.00 (1013 x 508)
A72P30F1	A72P30F1G	Full Panel	60.00 x 26.00 (1524 x 660)
A72P30F2	A72P30F2G	Half Panel	30.88 x 26.00 (784 x 660)
A60P36F1	A60P36F1G	Full Panel	48.00 x 32.00 (1219 x 813)
A60P36F2	A60P36F2G	Half Panel	24.88 x 32.00 (632 x 813)
A72P36F1	A72P36F1G	Full Panel	60.00 x 32.00 (1524 x 813)
A72P36F2	A72P36F2G	Half Panel	30.88 x 32.00 (784 x 813)
A90P36F1	A90P36F1G	Full Panel	78.00 x 32.00 (1981 x 813)
A90P36F2	A90P36F2G	Half Panel	39.88 x 32.00 (1013 x 813)

Single-Door Single-Access Enclosures										Single-Door Dual-Access Enclosures												
A602418SSFS	A722418SSFS	A723018SSFS	A723618SSFS	A902420SSFS	A903620SSFS	A603624SSFS	A722424SSFS	A723024SSFS	A723624SSFS	A903624SSFS	A723630SSFS	A723636SSFS	A903636SSFS	A722424SSFSDA	A723024SSFSDA	A723624SSFSDA	A903624SSFSDA	A722430SSFSDA	A722436SSFSDA	A723636SSFSDA	A903636SSFSDA	
.	. ^a			. ^a			. ^a							. ^a				. ^a	. ^a			
.	. ^a			. ^a			. ^a							. ^a				. ^a	. ^a			
.	.			. ^a					
. ^a	.			. ^a					
. ^a	. ^a			.			. ^a							. ^a				. ^a	. ^a			
.			
.			
.			
.			
.			
.			
.			
.			
.			

Swing-Out Panels

Catalog Number	Description	Panel Size
A72SP24F3	Full Panel	60.00 x 18.81 (1524 x 478)
A72SP24F4	Half Panel ^C	30.88 x 18.81 (784 x 478)
A72SP30F3	Full Panel	60.00 x 24.81 (1524 x 630)
A72SP30F4	Half Panel ^C	30.88 x 24.81 (784 x 630)
A72SP36F3	Full Panel	60.00 x 30.81 (1524 x 783)
A72SP36F4	Half Panel ^C	30.88 x 30.81 (784 x 783)
A90SP36F3	Full Panel	78.00 x 30.81 (1981 x 783)
A90SP36F4	Half Panel ^C	39.88 x 30.81 (1013 x 783)

.			
.			
.			
.			
.			
.			
.			
.			
.			

Side-Mount Panels

Catalog Number	Steel	Conductive	Description	Panel Size
A60SMP14	A60SMP14G	14 Wide Panel (356)	48.00 x 14.00 (1219 x 356)	
A72SMP14	A72SMP14G	14 Wide Panel (356)	60.00 x 14.00 (1524 x 356)	
A90SMP14	A90SMP14G	14 Wide Panel (356)	78.00 x 14.00 (1981 x 356)	
A72SMP20	A72SMP20G	20 Wide Panel (508)	60.00 x 20.00 (1524 x 508)	
A90SMP20	A90SMP20G	20 Wide Panel (508)	78.00 x 20.00 (1981 x 508)	

.
.
.
.
.

Heavy Duty Panel Supports

Catalog Number	Description	Panel Size
A60FSHDPS	2 Full-Length	57.25 (1454)
A72FSHDPS	Panel	69.25 (1759)
A90FSHDPS	Supports	87.25 (2216)

.
.
.

Millimeter dimensions are in ().

^a Requires heavy duty panel supports
^C Fits in top half or bottom half of enclosure

Floor-Mount and Free-Stand Enclosures

Type 12 Free-Stand Enclosures Accessory Selection (See Accessories for Details)

Two-Door Single-Access Enclosures										
A604818SFSFD	A724818SFSFD	A726018SFSFD	A727218SFSFD	A904820SFSFD	A907220SFSFD	A724824SFSFD	A726024SFSFD	A907224SFSFD	A726036SFSFD	A907236SFSFD
.b	.a,b			.a,b	.a,b					
.b	.a,b			.a,b	.a,b					
	.b			.a,b	.b					
.a,b	.b			.a,b	.b					
	.a,b			.b						
.a,b	.a,b			.b	.a,b					
		.b			.b				.b	
		.b			.b				.b	
			.a,b		.a,b		.a,b	.a,b		.a,b
			.a,b		.a,b		.a,b	.a,b		.a,b
			.b		.a,b		.b	.a,b		.a,b
			.b		.a,b		.b	.a,b		.a,b
			.a,b		.b		.a,b	.b		.b
			.a,b		.b		.a,b	.b		.b

Panels

Catalog Number

Steel	Conductive	Description	Panel Size
A60P24F1	A60P24F1G	Full Panel	48.00 x 20.00 (1219 x 508)
A60P24F2	A60P24F2G	Half Panel	24.88 x 20.00 (632 x 508)
A72P24F1	A72P24F1G	Full Panel	60.00 x 20.00 (1524 x 508)
A72P24F2	A72P24F2G	Half Panel	30.88 x 20.00 (784 x 508)
A90P24F1	A90P24F1G	Full Panel	78.00 x 20.00 (1981 x 508)
A90P24F2	A90P24F2G	Half Panel	39.00 x 20.00 (1013 x 508)
A72P30F1	A72P30F1G	Full Panel	60.00 x 26.00 (1524 x 660)
A72P30F2	A72P30F2G	Half Panel	30.88 x 26.00 (784 x 660)
A60P36F1	A60P36F1G	Full Panel	48.00 x 32.00 (1219 x 813)
A60P36F2	A60P36F2G	Half Panel	24.88 x 32.00 (632 x 813)
A72P36F1	A72P36F1G	Full Panel	60.00 x 32.00 (1524 x 813)
A72P36F2	A72P36F2G	Half Panel	30.88 x 32.00 (784 x 813)
A90P36F1	A90P36F1G	Full Panel	78.00 x 32.00 (1981 x 813)
A90P36F2	A90P36F2G	Half Panel	39.88 x 32.00 (1013 x 813)

Swing-Out Panels

Catalog Number	Description	Panel Size
A72SP24F3	Full Panel	60.00 x 18.81 (1524 x 478)
A72SP24F4	Half Panel ^C	30.88 x 18.81 (784 x 478)
A72SP30F3	Full Panel	60.00 x 24.81 (1524 x 630)
A72SP30F4	Half Panel ^C	30.88 x 24.81 (784 x 630)
A72SP36F3	Full Panel	60.00 x 30.81 (1524 x 783)
A72SP36F4	Half Panel ^C	30.88 x 30.81 (784 x 783)
A90SP36F3	Full Panel	78.00 x 30.81 (1981 x 783)
A90SP36F4	Half Panel ^C	39.88 x 30.81 (1013 x 783)

.b				.b					
.b				.b					
	.b				.b			.b	
	.b				.b			.b	
		.b			.b				
		.b			.b				
			.b			.b		.b	
			.b			.b		.b	

Side-Mount Panels

Catalog Number	Steel	Conductive	Description	Panel Size
A60SMP14	A60SMP14G		14 Wide Panel (356)	48.00 x 14.00 (1219 x 356)
A72SMP14	A72SMP14G		14 Wide Panel (356)	60.00 x 14.00 (1524 x 356)
A90SMP14	A90SMP14G		14 Wide Panel (356)	78.00 x 14.00 (1981 x 356)
A72SMP20	A72SMP20G		20 Wide Panel (508)	60.00 x 20.00 (1524 x 508)
A90SMP20	A90SMP20G		20 Wide Panel (508)	78.00 x 20.00 (1981 x 508)

.d									
.d	.d	.d							
		
		
			.d	.d	.d				
					.d				

Heavy Duty Panel Supports

Catalog Number	Description	Panel Size
A60FSHDPS	2 Full-Length	57.25 (1454)
A72FSHDPS	Panel	69.25 (1759)
A90FSHDPS	Supports	87.25 (2216)

.b									
.b	.b	.b			.b	.b	.b	.b	
			.b	.b				.b	.b

Millimeter dimensions are in ().

- ^a Requires heavy duty panel supports
- ^b Requires center panel supports
- ^c Fits in top half or bottom half of enclosure
- ^d Will not fit if other panels are also installed in same enclosure

Floor-Mount and Free-Stand Enclosures

Type 12 Free-Stand Enclosures Accessory Selection

(See Accessories for Details)

Single-Door Single-Access Enclosures										Single-Door Dual-Access Enclosures										
A602418SSF5	A722418SSF5	A723018SSF5	A723618SSF5	A902420SSF5	A903620SSF5	A603624SSF5	A722424SSF5	A723024SSF5	A723624SSF5	A903624SSF5	A723636SSF5	A903636SSF5	A722445SFDA	A7230245SFDA	A7236245SFDA	A9036245SFDA	A7224305SFDA	A7224365SFDA	A7236365SFDA	A9036365SFDA

Panels

Catalog Number			
Steel	Conductive	Description	Panel Size
A60P48F1	A60P48F1G	Full Panel	48.00 x 44.00 (1219 x 1118)
A72P48F1	A72P48F1G	Full Panel	60.00 x 44.00 (1524 x 1118)
A72P48F2	A72P48F2G	Half Panel	30.88 x 44.00 (784 x 1118)
A90P48F1	A90P48F1G	Full Panel	78.00 x 44.00 (1981 x 1118)
A90P48F2	A90P48F2G	Half Panel	39.88 x 44.00 (1013 x 1118)
A72P60F1	A72P60F1G	Full Panel	60.00 x 56.00 (1524 x 1422)
A72P60F2	A72P60F2G	Half Panel	30.88 x 56.00 (784 x 1422)
A72P72F1	A72P72F1G	Full Panel	60.00 x 68.00 (1524 x 1727)
A72P72F2	A72P72F2G	Half Panel	30.88 x 68.00 (784 x 1727)
A90P72F1	A90P72F1G	Full Panel	78.00 x 68.00 (1981 x 1727)
A90P72F2	A90P72F2G	Half Panel	39.88 x 68.00 (1013 x 1727)

Center Panel Supports

Catalog Number	Description
A60FSCPS	Center Panel Support
A72FSCPS	Center Panel Support
A90FSCPS	Center Panel Support

Clamping Nuts

Catalog Number	Description
APS1420CN	1/4-20 Clamping Nut (Qty. 20) for Special Use
APS1418CN	1/4-18 Clamping Nut (Qty. 20) for Special Use

•	•	•	•	•	•	•	•	•	•	•	•	•	•	•	•	•	•	•	•	•
•	•	•	•	•	•	•	•	•	•	•	•	•	•	•	•	•	•	•	•	•

Catalog Number	Description	Size
DMCKC	Set of 4 Casters	4 high x 3 diameter

•	•	•	•	•	•	•	•	•	•	•	•	•	•	•	•	•	•	•	•	•
---	---	---	---	---	---	---	---	---	---	---	---	---	---	---	---	---	---	---	---	---

Rack Mounting Angles L-Style (Type RP) for 19- and 24-in. Equipment

Catalog Number	Description	For Rack Size	No. Units ^d	Angle Length
A60RP24F5	2 Full-Length Angles	19 (483)	28	49.00 (1245)
A60RP24F6	2 Half-Length Angles	19 (483)	15	26.25 (677)
A72RP24F5	2 Full-Length Angles	19 (483)	35	61.25 (1556)
A72RP24F6	2 Half-Length Angles	19 (483)	18	31.50 (800)
A90RP24F5	2 Full-Length Angles	19 (483)	45	78.75 (2000)
A90RP24F6	2 Half-Length Angles	19 (483)	23	40.25 (1022)
A72RP30F5	2 Full-Length Angles	24 (610)	35	61.25 (1556)
A72RP30F6	2 Half-Length Angles	24 (610)	18	31.50 (800)

Millimeter dimensions are in ().

^d Will not fit if other panels are also installed in same enclosure

Floor-Mount and Free-Stand Enclosures

Type 12 Free-Stand Enclosures Accessory Selection

(See Accessories for Details)

Two-Door Single-Access Enclosures											
A604818SSFSFD	A724818SSFSFD	A726018SSFSFD	A727218SSFSFD	A904820SSFSFD	A907220SSFSFD	A724824SSFSFD	A726024SSFSFD	A727224SSFSFD	A907224SSFSFD	A726036SSFSFD	A907236SSFSFD
.	. ^a			. ^a	. ^a						
.	.			. ^a	.						
. ^a	.			. ^a	.						
.	.			.	.						
. ^a	.			.	. ^a						
.	
.	
. ^a
. ^a
.	.			. ^a	.				. ^a	.	.
. ^a	.	.

Panels

Catalog Number	Steel	Conductive	Description	Panel Size
A60P48F1	A60P48F1G	A60P48F1G	Full Panel	48.00 x 44.00 (1219 x 1118)
A72P48F1	A72P48F1G	A72P48F1G	Full Panel	60.00 x 44.00 (1524 x 1118)
A72P48F2	A72P48F2G	A72P48F2G	Half Panel	30.88 x 44.00 (784 x 1118)
A90P48F1	A90P48F1G	A90P48F1G	Full Panel	78.00 x 44.00 (1981 x 1118)
A90P48F2	A90P48F2G	A90P48F2G	Half Panel	39.88 x 44.00 (1013 x 1118)
A72P60F1	A72P60F1G	A72P60F1G	Full Panel	60.00 x 56.00 (1524 x 1422)
A72P60F2	A72P60F2G	A72P60F2G	Half Panel	30.88 x 56.00 (784 x 1422)
A72P72F1	A72P72F1G	A72P72F1G	Full Panel	60.00 x 68.00 (1524 x 1727)
A72P72F2	A72P72F2G	A72P72F2G	Half Panel	30.88 x 68.00 (784 x 1727)
A90P72F1	A90P72F1G	A90P72F1G	Full Panel	78.00 x 68.00 (1981 x 1727)
A90P72F2	A90P72F2G	A90P72F2G	Half Panel	39.88 x 68.00 (1013 x 1727)

Center Panel Supports

Catalog Number	Description
A60FSCPS	Center Panel Support
A72FSCPS	Center Panel Support
A90FSCPS	Center Panel Support

Clamping Nuts

Catalog Number	Description
APS1420CN	1/4-20 Clamping Nut (Qty. 20) for Special Use
APS51616CN	1/4-18 Clamping Nut (Qty. 20) for Special Use

Casters

Catalog Number	Description	Size
DMCKC	Set of 4 Casters	4 high x 3 diameter

Rack Mounting Angles L-Style (Type RP) for 19- and 24-in. Equipment

Catalog Number	Description	For Rack Size	No. Units ^d	Angle Length
A60FP24F5	2 Full-Length Angles	19 (483)	28	49.00 (1245)
A60FP24F6	2 Half-Length Angles	19 (483)	15	26.25 (677)
A72RP24F5	2 Full-Length Angles	19 (483)	35	61.25 (1556)
A72RP24F6	2 Half-Length Angles	19 (483)	18	31.50 (800)
A90RP24F5	2 Full-Length Angles	19 (483)	45	78.75 (2000)
A90RP24F6	2 Half-Length Angles	19 (483)	23	40.25 (1022)
A72RP30F5	2 Full-Length Angles	24 (610)	35	61.25 (1556)
A72RP30F6	2 Half-Length Angles	24 (610)	18	31.50 (800)

Millimeter dimensions are in ().

^a Requires heavy duty panel supports

^b Requires center panel supports

^d Will not fit if other panels are also installed in same enclosure

Floor-Mount and Free-Stand Enclosures

**Type 12 Free-Stand Enclosures
Rack Mounting Accessory Selection**
(See Accessories for Details)

**Rack Mounting Angles U-Style (Type RA)
for 19- and 24-in. Equipment**

Catalog Number	Description	For Rack Size	No. Units ^d	Angle Length
A60RA19TH	2 Full-Length Angles	19 (483)	28	49.00 (1245)
A72RA19TH	2 Full-Length Angles	19 (483)	35	61.25 (1556)
A90RA19TH	2 Full-Length Angles	19 (483)	45	78.75 (2000)
A72RA24TH	2 Full-Length Angles	24 (610)	35	61.25 (1556)

Single-Door Single-Access Enclosures										Single-Door Dual-Access Enclosures												
A602418SSF5	A722418SSF5	A723018SSF5	A723618SSF5	A902420SSF5	A903620SSF5	A603624SSF5	A722424SSF5	A723024SSF5	A723624SSF5	A903624SSF5	A723630SSF5	A723636SSF5	A903636SSF5	A722424SSF5DA	A723024SSF5DA	A723624SSF5DA	A903624SSF5DA	A722430SSF5DA	A722436SSF5DA	A723636SSF5DA	A903636SSF5DA	
.

Clip Nut Package

Catalog Number	Description	Size	Fits
AN1032	Clip Nut (Pkg of 20)	#10-32 Zinc-Plated	RA Type Mnt Angles

.
---	---	---	---	---	---	---	---	---	---	---	---	---	---	---	---	---	---	---	---	---	---	---

19-in. Swing-Out Rack Mounting Frames

Catalog Number	Description	For Rack Size	No. Units ^d	Panel Space
A7230S0F19	Full Swing-Out Frame	19 (483)	33	57.88 (1470)
A7236S0F19	Full Swing-Out Frame	19 (483)	33	57.88 (1470)
A9036S0F19	Full Swing-Out Frame	19 (483)	43	75.36 (1915)

.
---	---	---	---	---	---	---	---	---	---	---	---	---	---	---	---	---	---	---	---	---	---	---

Millimeter dimensions are in ().

^d 1 unit = 1.75 in. (44 mm)

Floor-Mount and Free-Stand Enclosures

Type 12 Free-Stand Enclosures Rack Mounting Accessory Selection (See Accessories for Details)

Rack Mounting Angles U-Style (Type RA) for 19- and 24-in. Equipment

Catalog Number	Description	For Rack Size	No. Units ^d	Angle Length
A60RA19TH	2 Full-Length Angles	19 (483)	28	49.00 (1245)
A72RA19TH	2 Full-Length Angles	19 (483)	35	61.25 (1556)
A90RA19TH	2 Full-Length Angles	19 (483)	45	78.75 (2000)
A72RA24TH	2 Full-Length Angles	24 (610)	35	61.25 (1556)

Two-Door Single-Access Enclosures										
A604818SSFSD	A724818SSFSD	A726018SSFSD	A727218SSFSD	A904820SSFSD	A907220SSFSD	A724824SSFSD	A726024SSFSD	A727224SSFSD	A907224SSFSD	A726036SSFSD
.b	.b			.b	.b					
	.b			.b	.b					
		.b		.b						
						.b				.b

Clip Nut Package

Catalog Number	Description	Size	Fits						
AN1032	Clip Nut (Pkg of 20)	#10-32 Zinc-Plated	RA Type Mnt Angles

19-in. Swing-Out Rack Mounting Frames

Catalog Number	Description	For Rack Size	No. Units ^d	Panel Space
A7230S0F19	Full Swing-Out Frame	19 (483)	33	57.88 (1470)
A7236S0F19	Full Swing-Out Frame	19 (483)	33	57.88 (1470)
A9036S0F19	Full Swing-Out Frame	19 (483)	43	75.36 (1915)

		.b			.b		.b
		.b			.b		
			.b			.b	.b

Millimeter dimensions are in ().

^b Requires center panel support(s) for installation

^d 1 unit = 1.75 in. (44 mm)

Floor-Mount and Free-Stand Enclosures

Type 12 Free-Stand Enclosures Rack Mounting Accessory Selection (See Accessories for Details)

Rack Mounting Angles U-Style (Type RA) for 19- and 24-in. Equipment

Catalog Number	Description	For Rack Size	No. Units ^d	Angle Length
A60RA19TH	2 Full-Length Angles	19 (483)	28	49.00 (1245)
A72RA19TH	2 Full-Length Angles	19 (483)	35	61.25 (1556)
A90RA19TH	2 Full-Length Angles	19 (483)	45	78.75 (2000)
A72RA24TH	2 Full-Length Angles	24 (610)	35	61.25 (1556)

Single-Door Single-Access Enclosures										Single-Door Dual-Access Enclosures											
A602418SSF5	A722418SSF5	A723018SSF5	A723618SSF5	A902420SSF5	A903620SSF5	A603624SSF5	A722424SSF5	A723024SSF5	A723624SSF5	A903630SSF5	A723636SSF5	A903636SSF5	A722424SSF5DA	A723024SSF5DA	A723624SSF5DA	A903624SSF5DA	A722430SSF5DA	A722436SSF5DA	A723636SSF5DA	A903636SSF5DA	
.

Clip Nut Package

Catalog Number	Description	Size	Fits
AN1032	Clip Nut (Pkg of 20)	#10-32 Zinc-Plated	RA Type Mnt Angles

.
---	---	---	---	---	---	---	---	---	---	---	---	---	---	---	---	---	---	---	---	---	---

19-in. Swing-Out Rack Mounting Frames

Catalog Number	Description	For Rack Size	No. Units ^d	Panel Space
A7230S0F19	Full Swing-Out Frame	19 (483)	33	57.88 (1470)
A7236S0F19	Full Swing-Out Frame	19 (483)	33	57.88 (1470)
A9036S0F19	Full Swing-Out Frame	19 (483)	43	75.36 (1915)

.
---	---	---	---	---	---	---	---	---	---	---	---	---	---	---	---	---	---	---	---	---	---

Writing Surfaces

Catalog Number	Description	Fits Drawer
A19WSDR	Hinged Surface	A19DR2U, A19DR4U
DL29WS	Hinged Surface	DL329DR, DL729DR

.
---	---	---	---	---	---	---	---	---	---	---	---	---	---	---	---	---	---	---	---	---	---

19- and 24-in. Rack-Mounted Shelves

Catalog Number	Description	For Rack Size	Number of Units ^d
A19SHP6	Pull-Out Shelf	19 (483)	2
DL29SHP	Pull-Out Shelf	24 (610)	2
A19SH6	Fixed Shelf	19 (483)	1
DL29SH	Fixed Shelf	24 (610)	1

.
---	---	---	---	---	---	---	---	---	---	---	---	---	---	---	---	---	---	---	---	---	---

Guides for Rack-Mounted Shelves

Catalog Number	Description	Number of Units ^d
AG1U6	Chassis Guides (2)	1
AG1U8	Chassis Guides (2)	1

.
---	---	---	---	---	---	---	---	---	---	---	---	---	---	---	---	---	---	---	---	---	---

Millimeter dimensions are in ().

^a Requires 2 sets U-style (Type RA) rack mounting angles for installation
^d 1 unit = 1.75 in. (44 mm)

Floor-Mount and Free-Stand Enclosures

Type 12 Free-Stand Enclosures Rack Mounting Accessory Selection (See Accessories for Details)

Rack Mounting Angles U-Style (Type RA) for 19- and 24-in. Equipment

Catalog Number	Description	For Rack Size	No. Units ^d	Angle Length	Two-Door Single-Access Enclosures															
A60RA19TH	2 Full-Length Angles	19 (483)	28	49.00 (1245)	.b	.b														
A72RA19TH	2 Full-Length Angles	19 (483)	35	61.25 (1556)		.b														
A90RA19TH	2 Full-Length Angles	19 (483)	45	78.75 (2000)																
A72RA24TH	2 Full-Length Angles	24 (610)	35	61.25 (1556)			.b													

Clip Nut Package

Catalog Number	Description	Size	Fits																	
AN1032	Clip Nut (Pkg of 20)	#10-32 Zinc-Plated	RA Type Mnt Angles

19-in. Swing-Out Rack Mounting Frames

Catalog Number	Description	For Rack Size	No. Units ^d	Panel Space																
A723050F19	Full Swing-Out Frame	19 (483)	33	57.88 (1470)			.b													.b
A723650F19	Full Swing-Out Frame	19 (483)	33	57.88 (1470)				.b											.b	
A903650F19	Full Swing-Out Frame	19 (483)	43	75.36 (1915)					.b									.b	.b	

Writing Surfaces

Catalog Number	Description	Fits Drawer																		
A19WSDR	Hinged Surface	A19DR2U, A19DR4U											.a							
DL29WS	Hinged Surface	DL329DR, DL729DR												.a						.a

19- and 24-in. Rack-Mounted Shelves

Catalog Number	Description	For Rack Size	Number of Units ^d																	
A19SHP6	Pull-Out Shelf	19 (483)	2										.a							
DL29SHP	Pull-Out Shelf	24 (610)	2											.a						.a
A19SH6	Fixed Shelf	19 (483)	1										.a							
DL29SH	Fixed Shelf	24 (610)	1											.a						.a

Guides for Rack-Mounted Shelves

Catalog Number	Description	Number of Units ^d																		
AG1U6	Chassis Guides (2)	1											.a	.a						.a
AG1U8	Chassis Guides (2)	1																		.a

Millimeter dimensions are in ().

^a Requires 2 sets U-style (Type RA) rack mounting angles for installation

^b Requires center panel support(s) for installation

^d 1 unit = 1.75 in. (44 mm)

Floor-Mount and Free-Stand Enclosures

Free-Stand, Type 12



Industry Standards

UL 508A Listed; Type 12; File No. E61997
 cUL Listed per CSA C22.2 No 94; Type 12; File No. E61997

NEMA/EEMAC Type 12
 E.I.A. RS-310-D
 CSA File No. 42186: Type 12
 IEC 60529, IP55

Application

Designed to house systems incorporating large components or complex mounting configurations. Three-point latching and sealing provide industry-leading protection from dust, dirt, oil and water. These enclosures are used in machine tool applications for housing motor starters, drives, contactors and PLCs, as well as a wide variety of other electrical and electronic equipment. The addition of 19-in. rack-mounting accessories makes these enclosures ideal for providing rugged protection for sensitive rack-mounted components in harsh industrial environments. These enclosures are used extensively in automotive, pulp and paper, wood products, textile and similar industries.

Specifications

- 12 gauge Type 304 stainless steel
- Seams continuously welded and ground smooth; no holes or knockouts
- Stiffeners welded to back of enclosures maintain flatness and increase rigidity
- Heavy-duty lifting eyes are Type 316 stainless steel
- Plated steel 3-point latching and keylocking handle
- Latch rods have rollers for easier door closing
- Heavy-gauge continuous hinges support each door
- Data pocket, provided on door(s) with 3-point latches, is high-impact thermoplastic
- Mounting channels welded horizontally to interior body sides at top, bottom and center
- Optional panels and rack-mounting angles can be mounted anywhere along channels
- Oil-resistant door gasket attached with oil-resistant adhesive and held in place with steel retaining strips
- Bonding provision on door; grounding studs on body
- Accessory mounting channel provided in enclosure top

Finish

Enclosures are unpainted. Cover, sides, top and bottom have smooth #4 brushed finish. Optional steel panels, swing-out panels, side-mounted panels, rack-mounting frames, heavy-duty panel supports and center panel supports are painted white. Optional full, half and side-mounted conductive panels are available.

Accessories

See also Accessories.
 Electrical Interlocks
 Floor Stand Kit, Stainless Steel
 Fluorescent Light Package
 Center Panel Supports
 Panels for Type 3R, 4, 4X, 12 and 13 Enclosures

Modification and Customization

Hoffman excels at modifying and customizing products to your specifications. Contact your local Hoffman sales office or distributor for complete information.

Bulletin: A30S

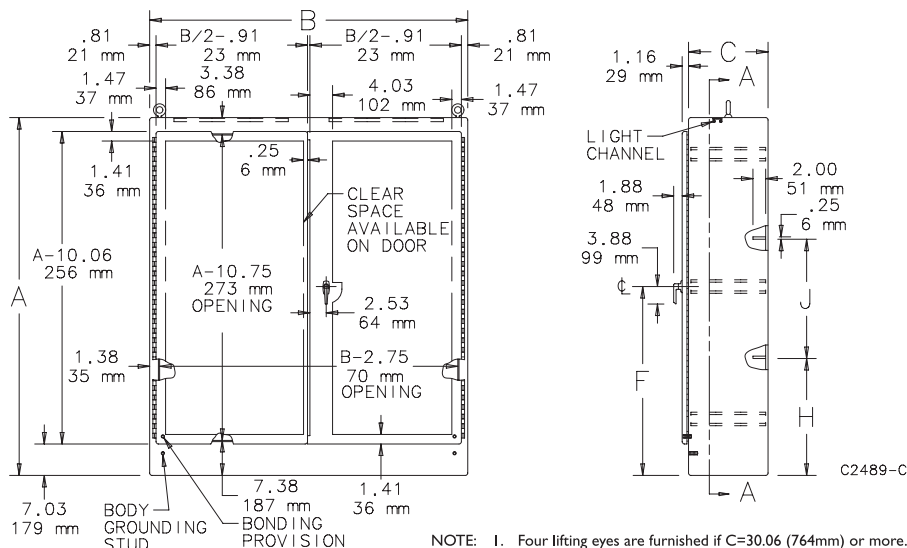
Floor-Mount and Free-Stand Enclosures

Standard Product

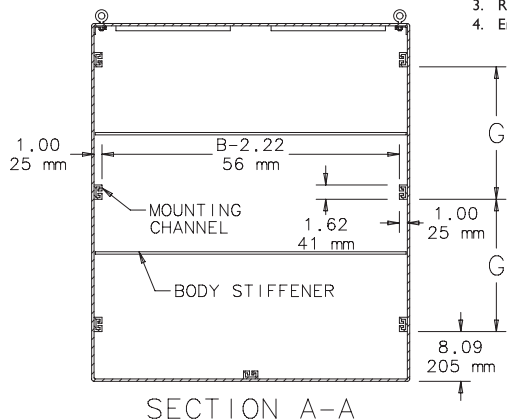
Catalog Number	AxBxCin./mm	F in./mm	G in./mm	H in./mm	J in./mm
A604818SSFSD	60.06 x 48.06 x 18.06	32.03	23.12	19.88	20.03
	1526 x 1221 x 472	814	587	505	509
A724818SSFSD	72.06 x 48.06 x 18.06	38.03	29.12	23.88	24.03
	1830 x 1221 x 472	966	740	607	610
A724824SSFSD	72.06 x 48.06 x 24.06	38.03	29.12	23.88	24.03
	1830 x 1221 x 611	966	740	607	610
A726018SSFSD	72.06 x 60.06 x 18.06	38.03	29.12	23.88	24.03
	1830 x 1526 x 472	966	740	607	610
A726024SSFSD	72.06 x 60.06 x 24.06	38.03	29.12	23.88	23.88
	1830 x 1526 x 611	966	740	740	607
A726036SSFSD	72.06 x 60.06 x 36.06	38.03	29.12	23.88	24.03
	1830 x 1526 x 916	966	740	607	610
A727218SSFSD	72.06 x 72.06 x 18.06	38.03	29.12	23.88	24.03
	1830 x 1830 x 472	966	740	607	610
A727224SSFSD	72.06 x 72.06 x 24.06	38.03	29.12	23.88	24.03
	1830 x 1830 x 611	966	740	607	610
A904820SSFSD	90.06 x 48.06 x 20.06	47.03	38.12	29.88	30.03
	2288 x 1221 x 510	1195	968	759	763
A907220SSFSD	90.06 x 72.06 x 20.06	47.03	38.12	29.88	30.03
	2288 x 1830 x 510	1195	968	759	763
A907224SSFSD	90.06 x 72.06 x 24.06	47.03	38.12	29.88	30.03
	2288 x 1830 x 611	1195	968	759	763
A907236SSFSD	90.06 x 72.06 x 36.06	47.03	38.12	29.88	30.03
	2288 x 1830 x 916	47.03	968	759	763

Purchase panels and accessories separately.

Two-Door Single-Access Free-Standing Type 12 Enclosures



- NOTE:
1. Four lifting eyes are furnished if C=30.06 (764mm) or more.
 2. See General Accessories chapter for section view A-A showing accessories.
 3. Removable 12.00 x 12.00 (305mm x 305mm) data pocket.
 4. Enclosure backs are 10 gauge.



WATERSHED® Free-Stand, Type 4X



Industry Standards

UL 508A Listed; Type 4, 4X, 12; File Number E61997
 cUL Listed per CSA C22.2 No 94; Type 4, 4X, 12; File Number E61997

NSF 169
 NEMA/EEMAC Type 4, 4X, 12
 IEC 60529, IP66

Application

The Hoffman WATERSHED® stainless steel free-stand enclosure, with its unique design and Type 4X rating, is a perfect fit for mounting electrical or high-tech electronic equipment in a variety of indoor and outdoor settings. Its unique features are specifically designed for use in sanitary washdown production environments like food, beverage, or pharmaceutical processing. However, these same features also are useful in petrochemical plants, pulp and paper facilities and waste-water treatment plants.

Specifications

- Manufactured from 12 gauge Type 304 stainless steel
- Seams continuously welded and ground smooth
- Smooth Type 304 stainless steel lift-off bullet-style hinges
- Hinges are shielded by cover edges
- Hinged side of cover has provisions to allow direct flushing of hinge area
- 20-degree sloped top facilitates runoff of water and cleaning solutions and prohibits the placement of objects on the top of the enclosure
- 170-degree door opening
- Door edges are sloped 20 degrees at top and bottom edges to facilitate runoff
- Slanted flange trough collar prohibits pooling of fluids along the top edge of the enclosure opening
- Three-point latching operated by POWERGLIDE® Type 316L padlocking stainless steel handles
- Seamless foam-in-place one-piece gasket provides oil-tight and dust-tight seal against contaminants
- Bonding provision on doors; grounding studs on body
- Accessory mounting channel provided in enclosure top
- Panel studs fit optional NEMA style panels
- Mounting holes in bottom of enclosure for direct mounting or for optional sanitary legs and stainless steel floor stands
- Furnished hardware kit consists of panel mounting nuts, grounding hardware and hole seals for mounting holes

Finish

Stainless steel enclosures are unpainted. External surfaces have a #4 brushed finish. Optional mild steel panels are painted white. Optional conductive panels are available.

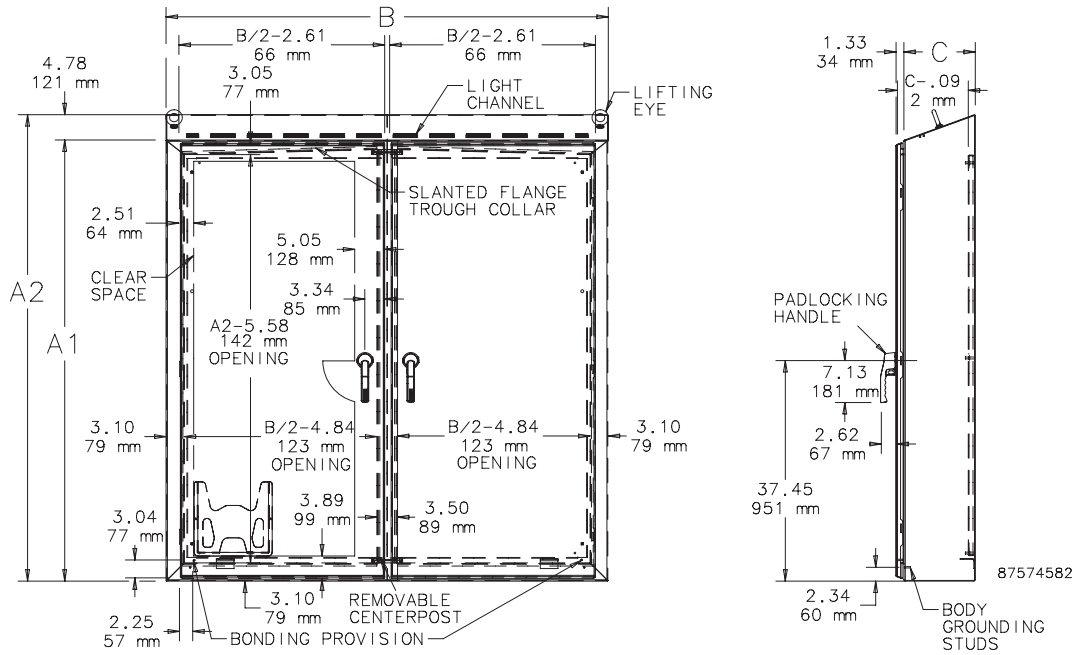
Accessories

See also Accessories.
 Industrial Corrosion Inhibitors
 Floor Stand Kit, Stainless Steel
 PANELITE™ Enclosure Lights Overview
 Panels for Type 3R, 4, 4X, 12 and 13 Enclosures
 Sanitary Leg Kits
Bulletin: WS2

Standard Product

Catalog Number	AxBxC in./mm	A1 in./mm	A2 in./mm	B in./mm	C in./mm	Panel	Conductive Panel
WS625112SS	62.00 x 51.00 x 12.00	62.81	67.20	51.09	12.12	A60P48	A60P48G
	1575 x 1295 x 305	1595	1700	1298	308		
WS625118SS	62.00 x 51.00 x 18.00	62.81	69.38	51.09	18.12	A60P48	A60P48G
	1575 x 1295 x 457	1595	1700	1298	460		
WS626312SS	62.00 x 63.00 x 12.00	62.81	67.20	63.09	12.12	A60P60	A60P60G
	1575 x 1600 x 305	1595	1700	1602	308		
WS626318SS	62.00 x 63.00 x 18.00	62.81	69.38	63.09	18.12	A60P60	A60P60G
	1575 x 1600 x 457	1595	1700	1602	460		
WS746312SS	74.00 x 63.00 x 12.00	74.81	79.20	63.09	12.12	A72P60	A72P60G
	1880 x 1600 x 305	1900	2012	1602	308		
WS746318SS	74.00 x 63.00 x 18.00	74.81	81.38	63.09	18.12	A72P60	A72P60G
	1880 x 1600 x 457	1900	2067	1602	460		
WS747512SS	74.00 x 75.00 x 12.00	74.81	79.20	75.09	12.12	A72P72	A72P72G
	1880 x 1905 x 305	1900	2012	1907	308		
WS747518SS	74.00 x 75.00 x 18.00	74.81	81.38	75.09	18.12	A72P72	A72P72G
	1880 x 1905 x 457	1900	2067	1907	460		
WS747524SS	74.00 x 75.00 x 24.00	74.81	83.57	75.09	24.12	A72P72	A72P72G
	1880 x 1905 x 610	1900	2123	1907	613		

A x B x C are nominal dimensions.
 Purchase panels separately.



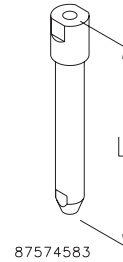
Sanitary Leg Kits



Sanitary Leg Kits provide space between the enclosure and the floor for better washdown accessibility. Available with fixed or independently adjustable legs. Adjustable leg shown. Four legs per kit. Maintains NEMA Type 4X rating when properly installed on a Hoffman Type 4X enclosure.

Bulletin: WSY

Catalog Number	Description	Size L (in.)	Size L (mm)
WSASLKSS	Adjustable Sanitary Leg Kit	11.50-12.50	292-318
WSFSLKSS	Fixed Sanitary Leg Kit	12.00	305

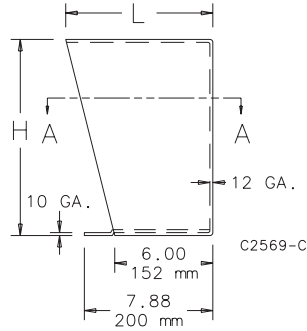
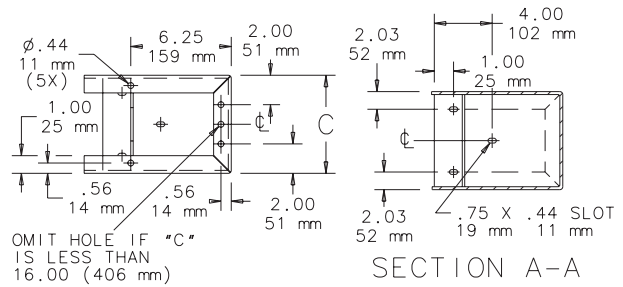


Floor Stand Kit, Stainless Steel

Use to raise free-stand enclosure. To install, drill holes in the bottom of the enclosure and bolt the floor stands to the enclosure. Each kit includes two stands. Type 304 stainless steel. Maintains UL/cUL Type 4X rating when properly installed on a Hoffman Type 4X enclosure.

Bulletin: A4SY

Catalog Number	H in./mm	C in./mm	L in./mm
AFK1212SS	12.00 305	12.00 305	9.09 231
AFK1218SS	12.00 305	18.00 459	9.09 231
AFK1224SS	12.00 305	24.06 611	9.09 231





Notes

PROLINE® HMI Enclosures

PROLINE® Stainless Steel HMI Enclosures



Industry Standards

Sloped Fronts, Front, Rear and Bottom Options

UL 508A Listed; Type 12; File Number E61997
 cUL Listed per CSA C22.2 No 94; Type 12; File Number E61997

NEMA/EEMAC Type 4, 4X, 12
 IEC 60529, IP66

Application

PROLINE® Stainless Steel HMI Enclosures provide a comprehensive system for housing Human-Machine Interface (HMI) computers and related control devices in a corrosive environment. With these enclosures you can develop a customized solution that meets your application's requirements exactly, including UL/CSA Type 4X protection.

Features

PROLINE HMI Enclosure System

Numerous PROLINE Components are available in stainless steel. For optional stainless steel pendant arm mounting options, see Hoffman CS480 and CS600 options.

See *PROLINE Sloped Front HMI Enclosures in HMI - Human-Machine Interface* chapter for more information.

See *PROLINE Assembled Enclosures in Modular Enclosure Systems* section for more information.

Sizes: PROLINE Stainless Steel HMI Enclosures fit most popular HMI models. The basic enclosure has an ergonomically sloped front that positions the screen for easy viewing.

Equipment Mounting: Grid straps, rack angles and panels are available for all enclosure sizes. Large front and rear openings provide easy access.

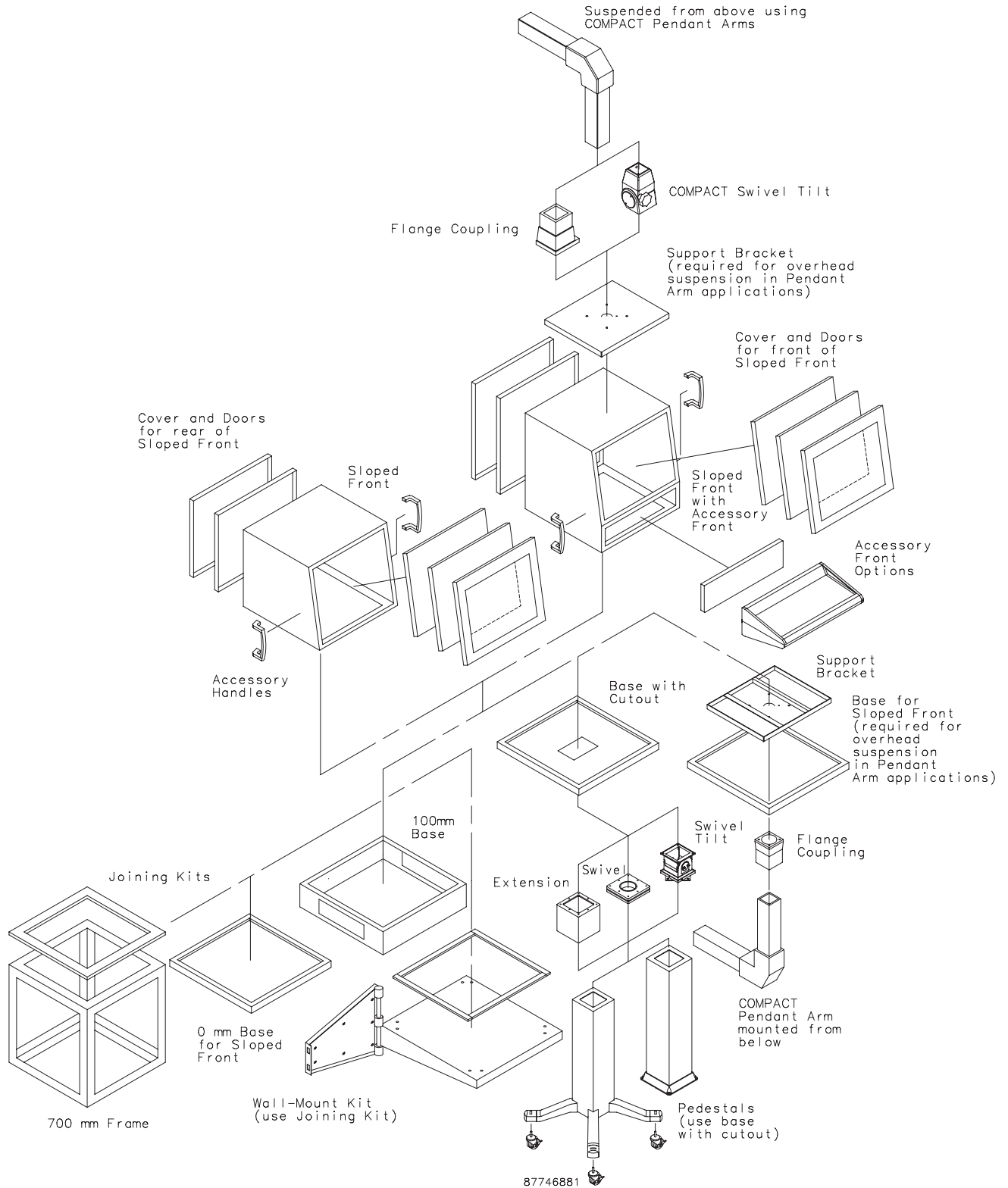
Enclosure Mounting: The PROLINE system includes several optional mounting methods: stainless steel pendant arm systems, stainless steel pedestals and stainless steel bases. Systems can also be placed on tables, desks or flat surfaces.

Protection from the Harshest Environment: PROLINE Stainless Steel HMI Enclosures meet tough NEMA Type 4X standards (IP 66). Enclosures are constructed of Type 304 stainless steel with stainless steel external hardware. Foam-in-place gasketing provides a tight, consistent seal.

Accessories

The front of the enclosure can be completed with a solid cover, solid door or window door. A solid cover or access door can be selected for the back. Solid or cutout bases for pedestal mounting are available. Handle and locking options are offered for all doors. Available with an additional front opening to accommodate several accessory front options.

PROLINE® HMI Enclosures



PROLINE® HMI Enclosures

Sloped Front

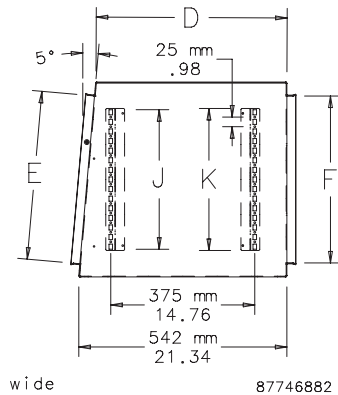
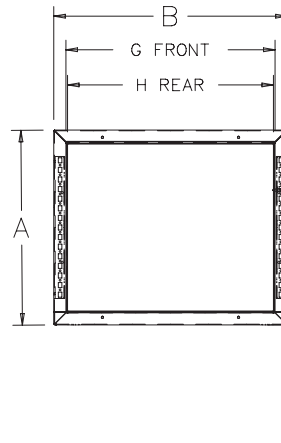
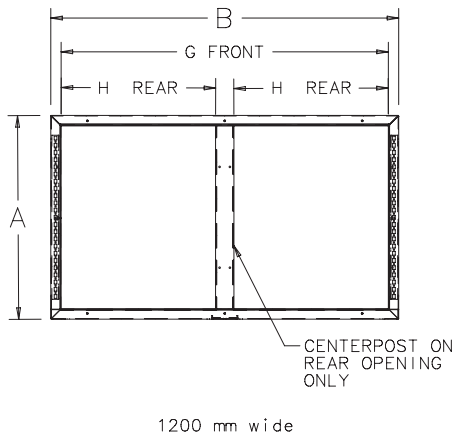
Full front opening for door/cover options has a 5-degree slope. Rear opening(s) for door and cover options. Optional PROLINE frame shelf or PROLINE grid system is recommended to provide a stationary platform for supporting deep equipment. The open bottom is suitable for joining the top to a 700-mm-tall PROLINE frame. The bottom of the 600 x 600-mm sizes can be joined through a cutout base to a pedestal or pendant arm system. A support bracket accessory allows the 600 x 600-mm sizes to be suspended from an overhanging pendant arm. Sloped-front enclosures are Type 304 stainless steel.



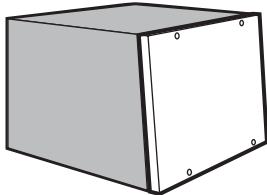
See PROLINE Sloped-Front HMI System and Accessories in the HMI - Human-Machine Interface chapter for more information and drawings.

Bulletin: P9S

Catalog Number	AxB mm/in.	Description	Nominal Size mm/in.	Front Opening E x G mm/in.	Rear Opening F x H mm/in.	D mm/in.	Internal Mounting J mm/in.	Internal Mounting K mm/in.	Product Weight (lb.)
PST766SS	707 x 608 27.85 x 23.94	Stainless Steel	700 x 600 x 600	641 x 536 25.22 x 21.11	636 x 536 25.02 x 21.11	481 18.92	525 20.67	525 20.67	68.0



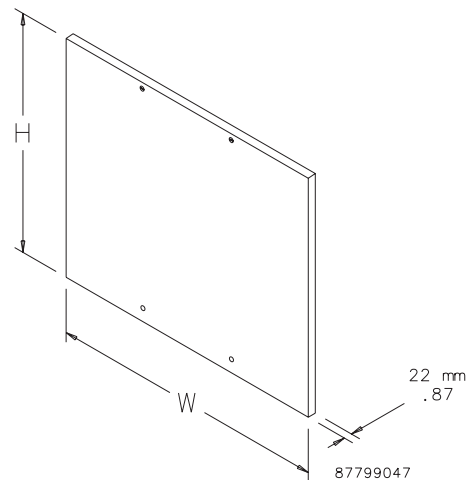
Covers for Upper Front of PROLINE® Sloped Fronts



Solid 16 gauge Type 304 stainless steel covers are secured to the front opening of a PROLINE sloped front with semi-flush cover screws along the top and bottom cover edges. Ground stud and mounting hardware are included. Seamless foam-in-place gasket assures a water-tight and dust-tight seal.

See PROLINE Sloped-Front HMI System and Accessories in the HMI - Human-Machine Interface chapter for more information and drawings.

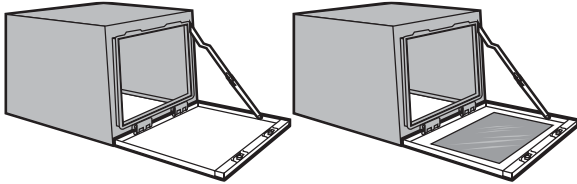
Bulletin: P9S



Catalog Number	Description	Cover Size H x W mm/in.	Product Weight (lb.)
PCS58FSS	Stainless Steel	506 x 792 19.93 x 31.17	23.0
PCS76FSS	Stainless Steel	707 x 592 27.84 x 23.30	19.5

PROLINE® HMI Enclosures

Doors for Upper Front of PROLINE® Sloped Fronts



Solid 16 gauge Type 304 stainless steel doors are available with or without windows. Doors are hinged at lower edge and have quarter-turn latches. A stop arm assembly holds the door at 95 degrees (horizontal) from its closed position. Standard latch and insert options are available. Ground stud and mounting hardware are included. Seamless polyurethane foam-in-place gasket assures water-tight and dust-tight seal.

Window doors feature a maximum size polycarbonate or glass window .25-in. thick with a smoke gray tint. Window is field-replaceable.

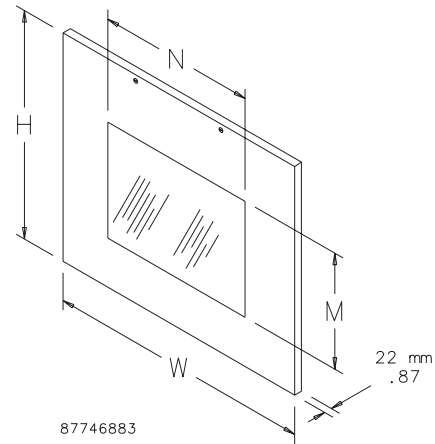
See *PROLINE Sloped-Front HMI System and Accessories in the HMI - Human-Machine Interface chapter for more information and drawings.*

Bulletin: P9S

Solid Doors

Catalog Number	Description	Door Size H x W mm/in.	Product Weight (lb.)
PDS56FSS	Stainless Steel	504 x 592 19.86 x 23.30	21.5

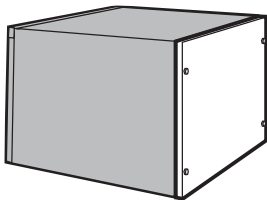
Catalog Number	Description	Door Size H x W mm/in.	Product Weight (lb.)
PDS58FSS	Stainless Steel	504 x 792 19.86 x 31.17	24.0
PDS76FSS	Stainless Steel	705 x 592 27.77 x 23.30	20.5



Window Doors

Catalog Number	Description	Door Size H x W mm/in.	Window Size M x N mm/in.	Product Weight (lb.)
PDW58FSS	Stainless Steel	504 x 792 19.86 x 31.17	362 x 635 14.25 x 25.00	24.0

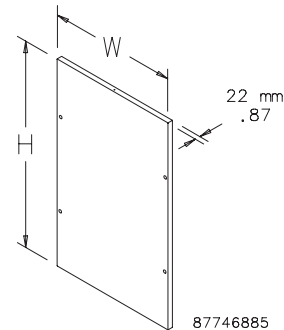
Covers for Rear of PROLINE® Sloped Fronts



Solid 16 gauge Type 304 stainless steel cover fits rear opening of PROLINE sloped fronts and is secured with semi-flush cover screws along right and left cover edges. Use PROLINE frame shelf or PROLINE grid straps to support the operator interface. Seamless foam-in-place gasket assures water-tight and dust-tight seal. Ground stud and mounting hardware are included. Optional tamper-resistant screws are available.

See *PROLINE Sloped Front HMI Enclosures in HMI - Human-Machine Interface chapter for more information.*

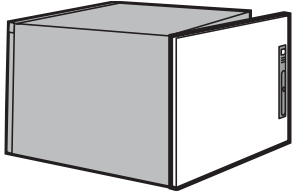
Bulletin: P9S



Catalog Number	Description	Cover Size H x W mm/in.	Product Weight (lb.)
PCS76RSS	Stainless Steel	596 x 706 23.47 x 27.79	23.0
PCS5A6RSS	Stainless Steel	679 x 597 26.75 x 23.51	21.0

PROLINE® HMI Enclosures

Doors for Rear of PROLINE® Sloped Fronts



Solid 16 gauge Type 304 stainless steel rear doors are side-hinged. The hinges are hidden and provide 130-degree door swing. Optional PROLINE 180-degree hinge kit is available. Doors can be hinged from left or right. Door includes two-point latching with a flush slotted quarter-turn insert. Standard PROLINE handle and insert options

are available for retrofit (see Accessories for Solid Rear Doors in HMI - Human-Machine Interface chapter). Use PROLINE frame shelf or PROLINE grid straps to support the operator interface. Ground stud and mounting hardware are included. Seamless foam-in-place gasket assures a water-tight and dust-tight seal.

See *PROLINE Sloped Front HMI Enclosures in HMI - Human-Machine Interface chapter for more information.*

Bulletin: P9S

Catalog Number	Description	Door Size H x W mm/in.	Product Weight (lb.)
PDS76RSS	Stainless Steel	706 x 592 27.79 x 23.30	19.5

PROLINE® Solid Rear Door Accessories



Accessories listed here are designed for use with PROLINE Sloped Front rear doors.

See *PROLINE Accessories in the Modular Enclosure Systems chapter.*

Bulletin: P20, UX1Y

Flush Handle

Catalog Number	Description
PSHKBL	One handle and two keys

Data Pockets

Catalog Number	Description
ADP1	Small data pocket
ADP2	Large data pocket

Key Inserts

Catalog Number	Description
PKOTM7	7-mm triangle
PKOTM8	8-mm triangle
PKOTM65	CNOMO
PKOSM7	7-mm square
PKOSM8	8-mm square
PKOGBK3	Double-bit with 13-mm pin
PKOATT	AT&T

Stainless Steel Pedestal

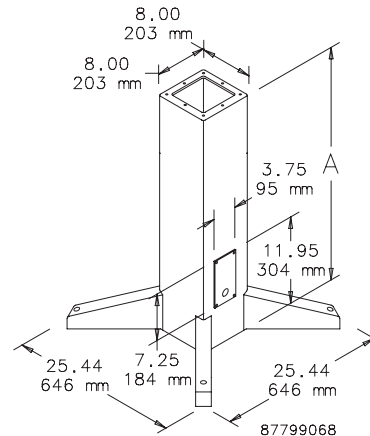


Pedestal is 36-in. (914-mm) tall and provides optimal viewing and operating height. Tube is 14 gauge Type 304 one-piece construction. Legs are 7 gauge Type 304 for rigidity. Cable access plate and leg levelers are included. Leg levelers can be removed for anchoring pedestal to floor. Pedestal has smooth vertical brushed finish.

Pedestal will accept pedestal accessories that are not stainless steel. These include swivel tilt, swivel and angle adapters.

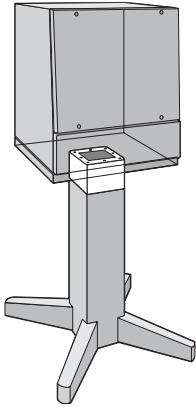
Bulletin: P1S

Catalog Number	A in./mm	Description
AP36SS	36.00 914	Stainless steel pedestal



PROLINE® HMI Enclosures

Stainless Steel Extension

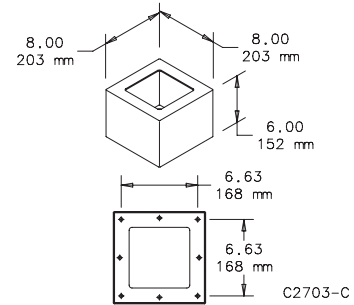


Pedestal extension can be ordered separately to provide additional 6 in. (152 mm) of height for standing position. Extension is 14 gauge Type 304 stainless steel with a smooth brushed finish.

Extension will accept pedestal accessories that are not stainless steel. These include swivel tilt, swivel and angle adapters.

Bulletin: P15

Catalog Number	Description
APE6SS	Stainless Steel



HOLE PATTERN

PROLINE® HMI Enclosures
Stainless Steel PROLINE®-PC Package, Type 12

Application

This enclosure offers effective protection for computer systems in industrial environments. Three separate compartments within the enclosure can be used to protect computer monitors, keyboards, CPUs, printers and other peripheral equipment. The 19-in. diagonal top window door, hinged on the left, offers viewing access for a variety of monitor sizes and has a small flush swing handle with keylock for system security. The vented frame shelf in the top compartment is constructed of 16 gauge steel and finished with RAL 7035 textured light-gray polyester powder paint. The PROLINE® keyboard compartment includes a locking feature, an angled palm rest, a cable access port for wiring and integral mouse pad holders for left-handed or right-handed persons. The bottom compartment includes a solid door hinged on the left with a small flush swing handle with keylocking. This compartment can be used to install computer equipment, panel mounted equipment or rack mounted control systems. The frame is enclosed with solid sides, a solid top and a 100-mm solid base. A rear mounted solid door with a keylocking flush swing handle offers rear access to the computer equipment and wiring. For more information, see *PROLINE Assembled Enclosures in the Modular Enclosure Systems chapter*.

Finish

External components have a smooth #4 brushed finish. External doors, sides, top and base are Type 304 stainless steel. Keyboard compartment has RAL 9005 textured black polyester powder paint finish.

Accessories

See also *Accessories*.
Caster Kit
Thermoplastic Data Pocket

Modification and Customization

Hoffman excels at modifying and customizing products to your specifications. Contact your local Hoffman sales office or distributor for complete information.

Bulletin: P20, P20PC, P20S


Industry Standards

UL 508A Listed; Type 12; File No. E61997
cUL Listed per CSA C22.2 No 94; Type 12; File No. E61997

NEMA Type 12
CSA File No. 42186: Type 12
IEC 60529, IP55
VDE IP55

Standard Product

Catalog Number	AxBxC mm/in.	M mm/in.	N mm/in.	P mm/in.	R mm/in.	Top Door Height mm/in.	Top Door Width mm/in.	Bottom Door Height mm/in.	Bottom Door Width mm/in.
PPC1666SS	1688 x 608 x 599 66.46 x 23.94 x 23.58	343 13.50	365 14.40	585 23.06	1363 53.66	558 21.98	536 21.11	738 29.09	536 21.11

100-mm solid base is included in "A" dimension

Summary of Components Included in Assembled PROLINE-PC Packages

Catalog Number	Component	Qty.
PFPC1666	Frame, steel	1
PT66SS	Solid top, stainless steel	1
PDS86SS	Solid door (bottom), stainless steel	1
PDWT86PCSS	Window door (top), stainless steel	1
PSS166SS	Solid side, stainless steel	2
PDS166SS	Solid door (rear), stainless steel	1
PB166SS	Solid base (100mm), stainless steel	1
PKBC6R	Black painted keyboard compartment	1

Additional Stainless Steel Components Available for PROLINE-PC Enclosures

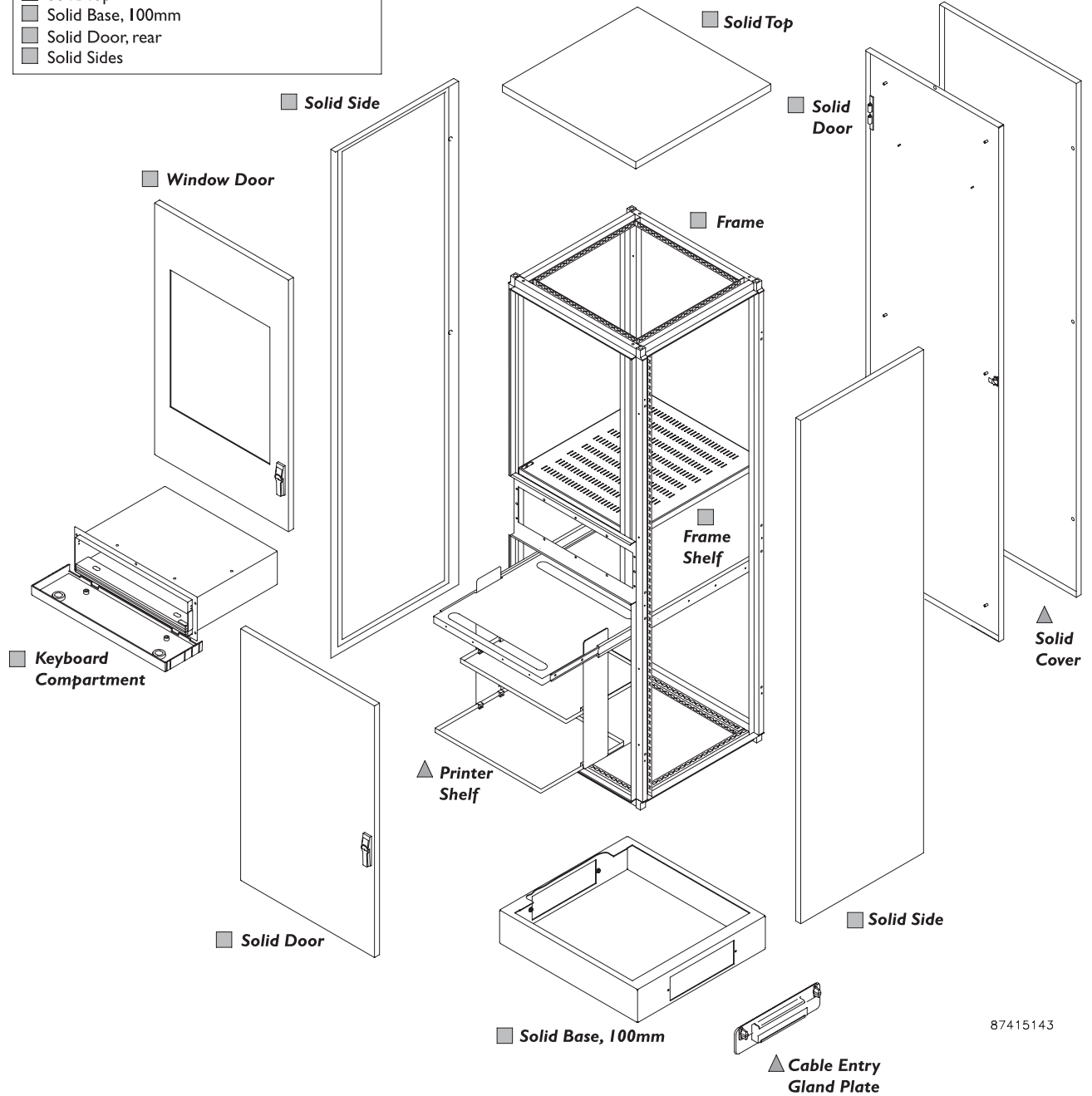
Catalog Number	Component
PCSA6SS	Access cover
PDWG86SS	Window door (bottom)
PCST86PCSS	Solid cover (top)
PCS86SS	Solid cover (bottom)
PDST86PCSS	Solid cover (bottom)

PROLINE® HMI Enclosures

- Standard Configuration**
- Frame
 - Frame Shelf, top compartment
 - Keyboard Compartment
 - Window Door, top front
 - Solid Door, bottom front
 - Solid Top
 - Solid Base, 100mm
 - Solid Door, rear
 - Solid Sides

- Optional Components**
- A optional components may be ordered separately. Components labeled **ATD** may be included in an **ATD** configuration.

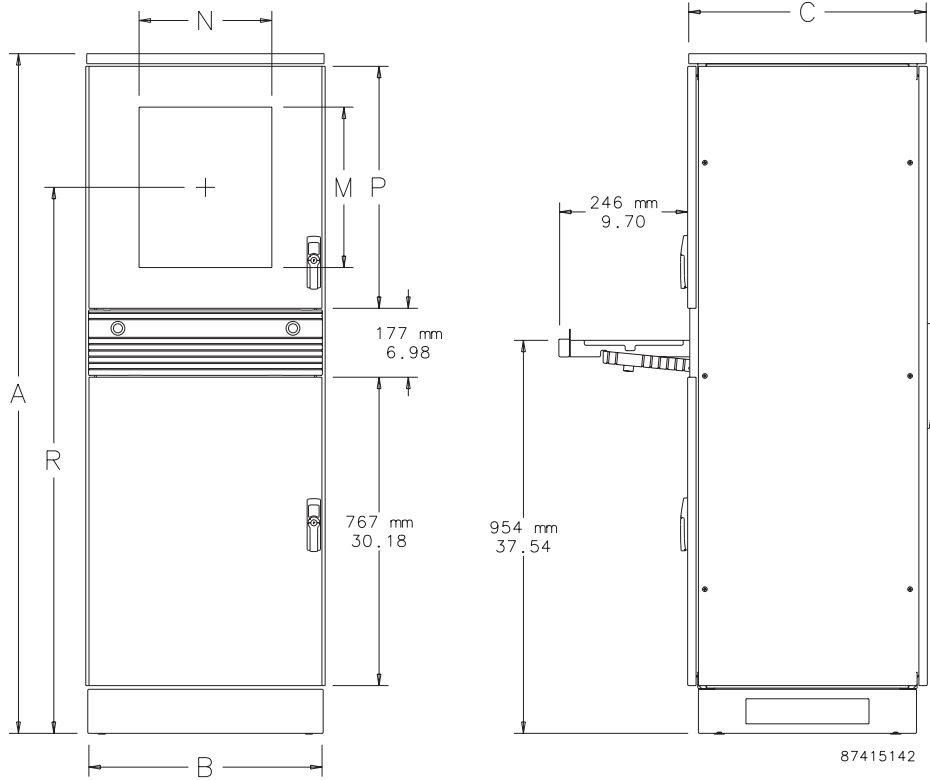
NOTE:
PFPC_____ frames have three front openings for top, center, and bottom modular components.



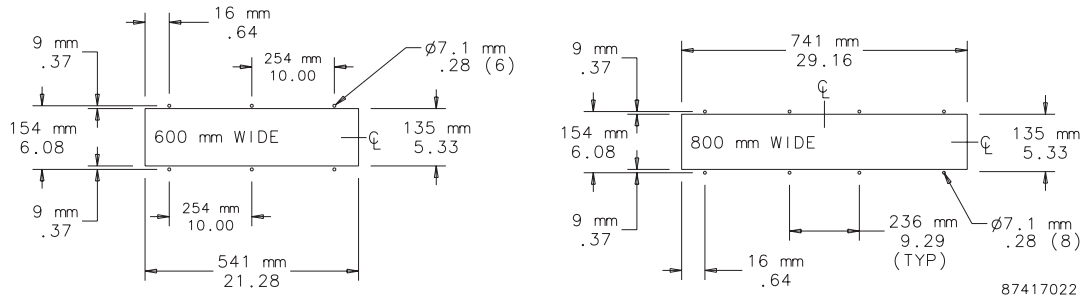
87415143

PROLINE® HMI Enclosures

PROLINE-PC Modular Enclosure



Accessory Front Opening Mounting Cutout



PROLINE® HMI Enclosures
Stainless Steel PROLINE®-SY Package, Type 12

Application

This enclosure is designed to protect many industrial operator interface systems. Two separate compartments within the enclosure can be used to protect panel- or rack-mounted control systems, operator interface packages and a variety of other electronic control components.

- The top compartment is open and can accommodate a variety of front cover and door options
- Internal grid straps are factory-installed in top compartment to provide support for operator interfaces
- The bottom door is hinged on the left and has an attractive keylocking flush swing handle
- The solid rear door permits rear access to equipment and wiring and includes a keylocking pushbutton handle
- Standard external components include solid sides, solid top and a 100-mm solid base

Order cover, door or window door for top front to complete the enclosure. Solid covers with pre-fabricated operator interface cutouts are available; consult Hoffman for ordering information.

For more information, see PROLINE Assembled Enclosures in the Modular Enclosure Systems chapter.

Finish

Stainless steel enclosures are unpainted. External components have a smooth #4 brushed finish.

External doors, sides, top and base are Type 304 stainless steel.

Accessories

See also Accessories.

Caster Kit

Thermoplastic Data Pocket

Modification and Customization

Hoffman excels at modifying and customizing products to your specifications. Contact your local Hoffman sales office or distributor for complete information.

Bulletin: P20, P20S, P20SY


Industry Standards

UL 508A Listed; Type 12; File No. E61997
 cUL Listed per CSA C22.2 No 94; Type 12; File No. E61997

NEMA Type 12
 CSA File No. 42186: Type 12
 IEC 60529, IP55
 VDE IP55

Standard Product

Catalog Number	AxBxCmm	AxBxC in.
PSY1666SS	1600 x 600 x 600	63.00 x 23.60 x 23.60

Top and bottom door opening size: 29.09 x 21.11 in. (739 x 536 mm) on 600-mm wide; 29.09 x 28.98 in. (739 x 736 mm) on 800-mm wide.

Summary of Components Included in Assembled PROLINE-SY Package

Catalog Number	Component	Qty.
PFSY1666	Frame	1
PT66SS	Solid top, stainless steel	1
PDS166SS	Solid door (rear), stainless steel	1
PDS86SS	Solid door (bottom), stainless steel	1
PB066SS	Solid base (100 mm), stainless steel	1
PSS166SS	Solid side, stainless steel	2
PFHKBL	Flush pushbutton handle (keylock)	1
PSHKBL	Small flush swing handle	1
PGH3S7	Grid system strap	1
PGH3S6	Grid system strap	1

Additional Stainless Steel Components Available for PROLINE-SY Enclosure

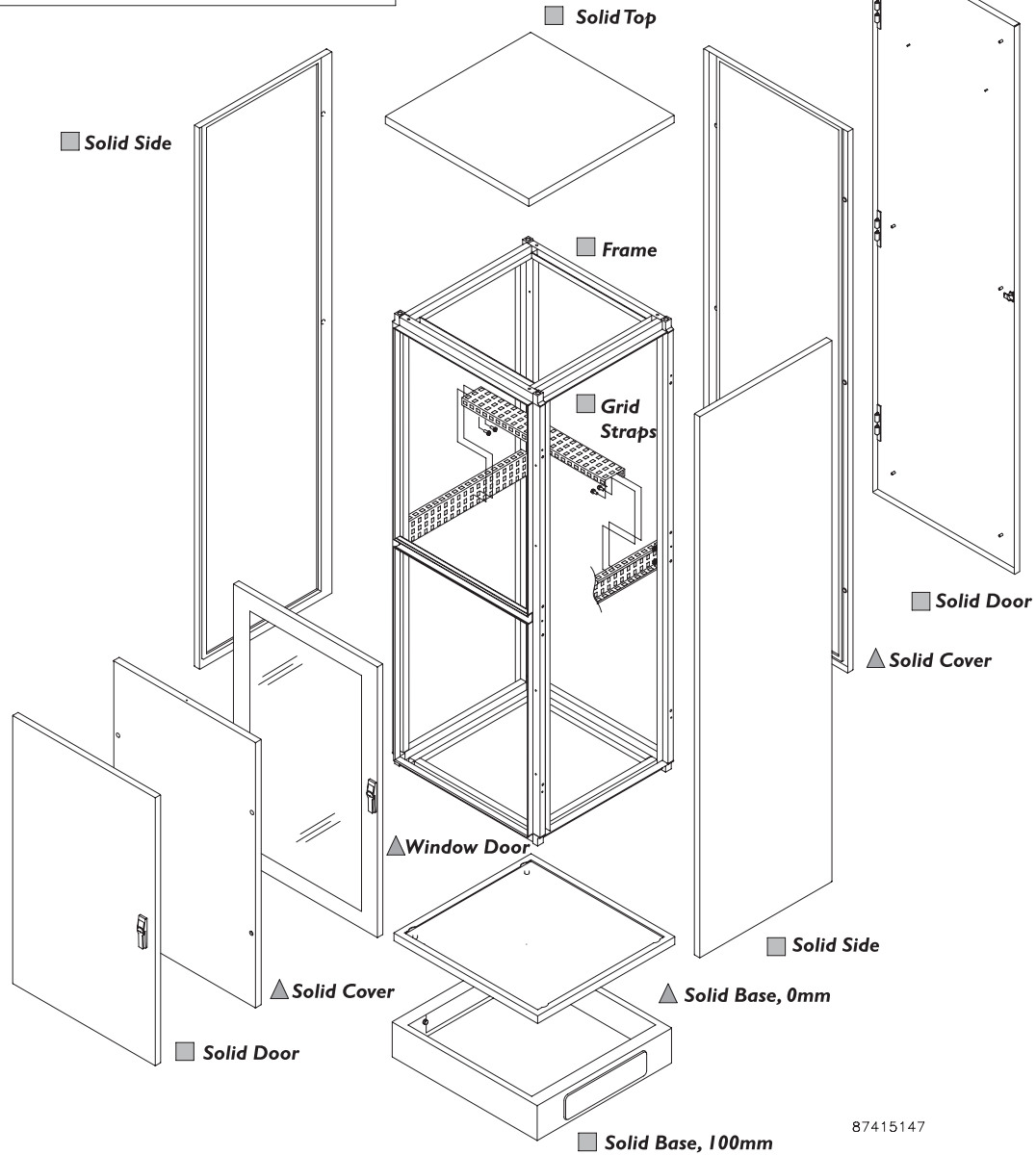
Catalog Number	Component
PDWG86SS	Window doors (top/bottom)
PCS86SS	Solid covers
PCSK4	Solid covers with OI cutouts

PROLINE® HMI Enclosures

- Standard Configuration**
- Frame
 - Grid Straps, top compartment
 - Solid Top
 - Solid Base, 100mm
 - Solid Door, rear
 - Solid Sides
 - Solid Door, bottom front

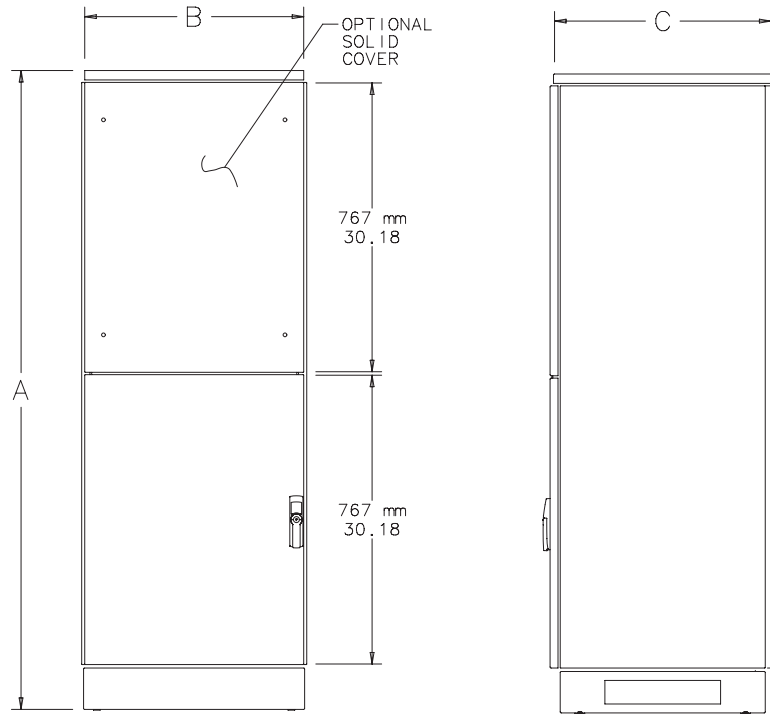
- Optional Components**
- A optional components may be ordered separately. Components labeled **ATD** may be included in an **ATD** configuration.

NOTE:
PFSY_____ frames have two front openings for top and bottom modular components.



87415147

PROLINE® HMI Enclosures



87415146